



## SPECIAL BITS QUESTIONNAIRE

Date:

*The purpose of this questionnaire is to define the characteristics of the special bit required for your application.  
Please complete the form accurately and return it to [international@doga.fr](mailto:international@doga.fr)*

Company

Service

Name

Address

Zip

City

Email

Phone

Quantity

pieces (min. 10 pieces)

### Application

► Description of the application:

► Use of an automatic screw feeder:



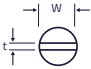



Yes







No

- If yes, brand and model of the screwdriver:

A dimensioned drawing, specifying the dimensions and tolerances to be respected, is required.

## Type and size of footprint

Footprint	Size
 Phillips (000, 00, 0, 1, 2, 3)	
 Slot (t, W and unit to be specified) 	
 Pozidriv (0, 1, 2, 3)	
 Torx® (1-10, 15, 20, 25, 27, 30, 40, 45, 50, 55)	
 Tamper Torx®	

Footprint	Size
 Torx plus®	
 Hex. int (size H and unit) 	
 Square (1, 2, 3, 4)	
 Socket for hexagonal drive screw (A/F) 	
Others - to be specified	

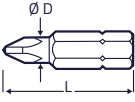
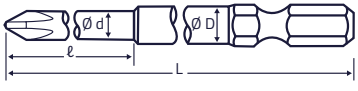
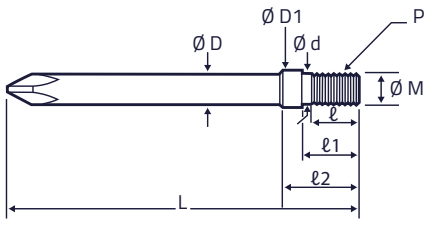
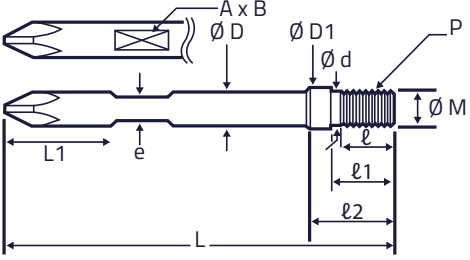
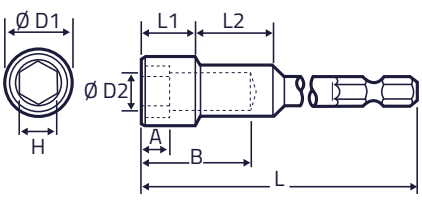
## Type of drive

- |  |                          |  |                          |
|--|--------------------------|--|--------------------------|
| ▶ Bit - hexagonal<br>C6,3 - 1/4" (6,35 mm)            | <input type="checkbox"/> | ▶ Ø 4 mm with wings shank (Hios)    | <input type="checkbox"/> |
| ▶ Bit - hexagonal<br>5/16" (8 mm)                   | <input type="checkbox"/> | ▶ Ø 5 mm with wings shank (Hios)  | <input type="checkbox"/> |
| ▶ Screwdriver - hexagonal<br>E6,3 - 1/4" (6,35 mm)  | <input type="checkbox"/> | ▶ Ø 4 mm half-moon                | <input type="checkbox"/> |
| ▶ Threaded    | <input type="checkbox"/> | ▶ Other (to be specified) <input type="text"/>   |                          |

## General information

- ▶ Tightening torque:  Nm
- ▶ Hardness required: Standard  Other  HRC
- ▶ Sample screw supplied: Yes / Qty  No
- ▶ Model bit supplied: Yes / Qty  No

## Specific dimensions

Bit - hexagonal 1/4"			
	Ø D (mm)		
	L (mm)		
Screwdriver - hexagonal 1/4"			
	Ø d (mm)		Ø D (mm)
	ℓ (mm)		L (mm)
Threaded bit			
	Ø M (mm)		Pas P (mm)
	Ø d (mm)		ℓ (mm)
	Ø D1 (mm)		ℓ1 (mm)
	Ø D (mm)		ℓ2 (mm)
	L (mm)		
Threaded bit with flat spot			
	Ø M (mm)		Pas P (mm)
	Ø d (mm)		ℓ (mm)
	Ø D1 (mm)		ℓ1 (mm)
	Ø D (mm)		ℓ2 (mm)
	A (mm)		L (mm)
	B (mm)		L1 (mm)
	e (mm)		
Shank socket - hexagonal 1/4"			
	Ø D1 (mm)		A (mm)
	H (mm)		B (mm)
	Ø D2 (mm)		L1 (mm)
	L (mm)		L2 (mm)
In the case of flanged nuts, samples of the nut are required	Magnetic socket?		Yes <input type="checkbox"/> No <input type="checkbox"/>