



Parts list & exploded view

OHTAKE**SSI-M
SSI-R**

OHTAKE automatic screw feeder NEJIKURA

SSI-12M10 / SS-12M12 / SS-12M14 / SS-12M17 / SS-12M20 / SSI-23M23 / SS-23M26 / SS-23M30 series

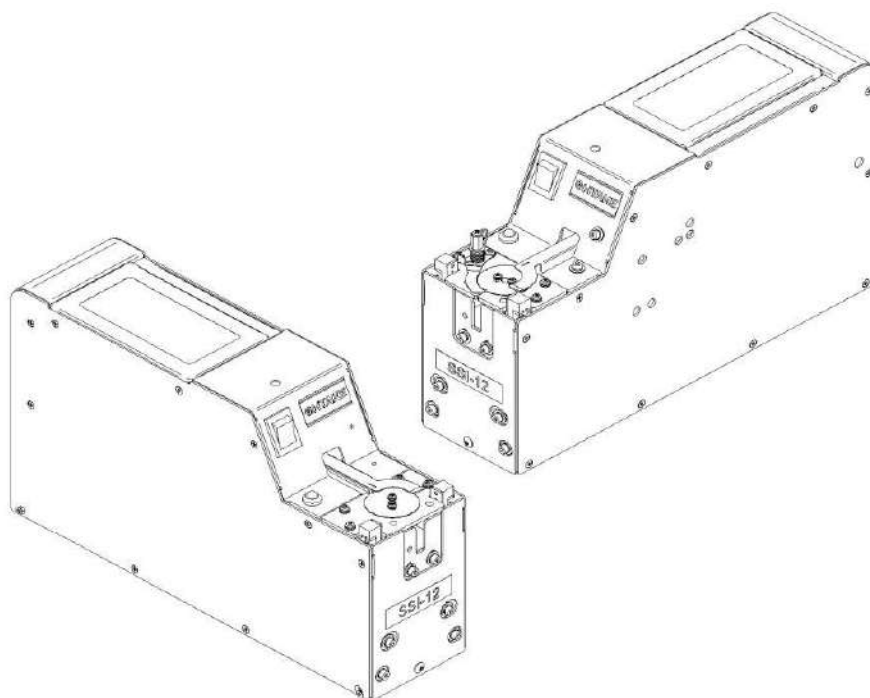
SSI-12R10 / SS-12R12 / SS-12R14 / SS-12R17 / SS-12R20 / SSI-23R23 / SS-23R26 / SS-23R30 series

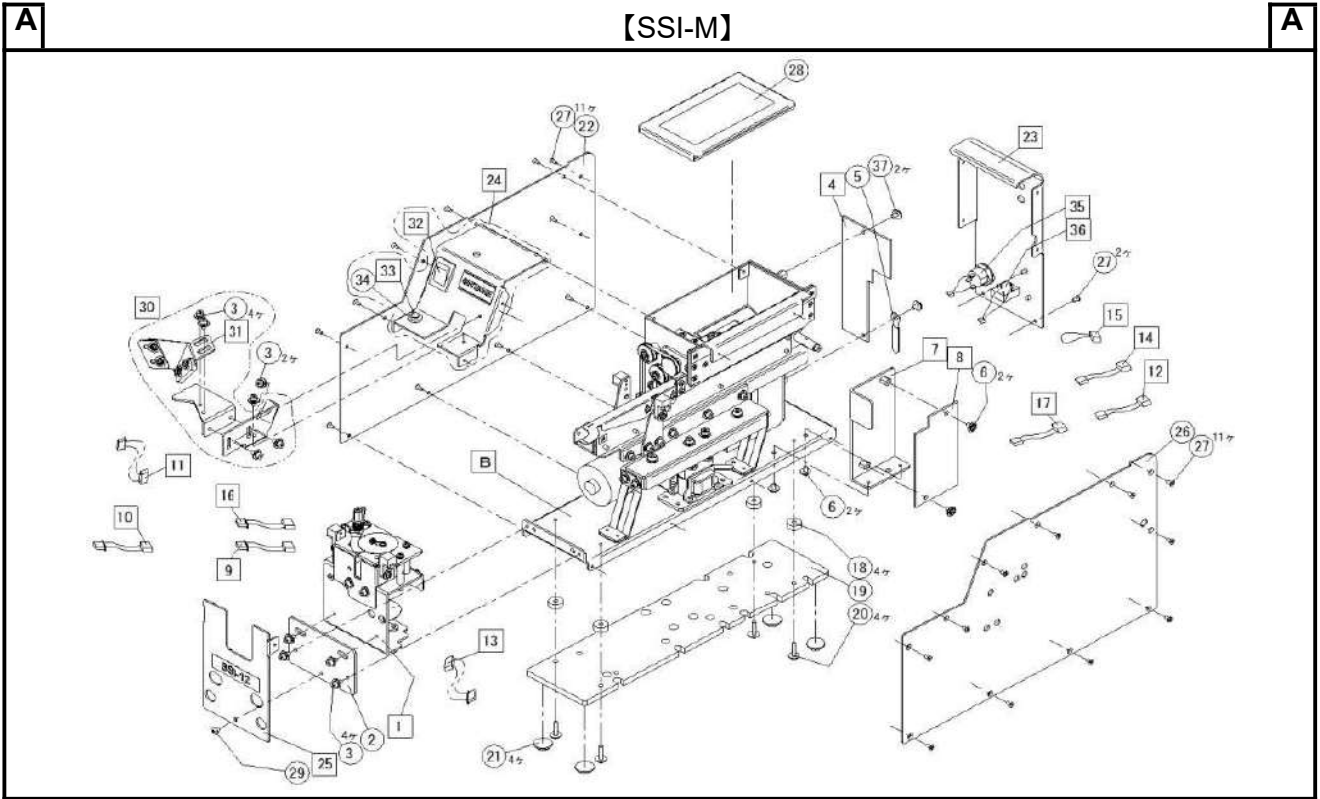
© DOGA DOC.60482.10/22

IMPORTANT

- Parts would be delivered in the minimum order quantity base.
- Some components are supplied only as assemblies.
- The components assembly might be reviewed without any notice.
- The minimum order quantities are indicated in the item descriptions.
- Any variations and upgrades in the designs of the product change without notice.

OVERVIEW





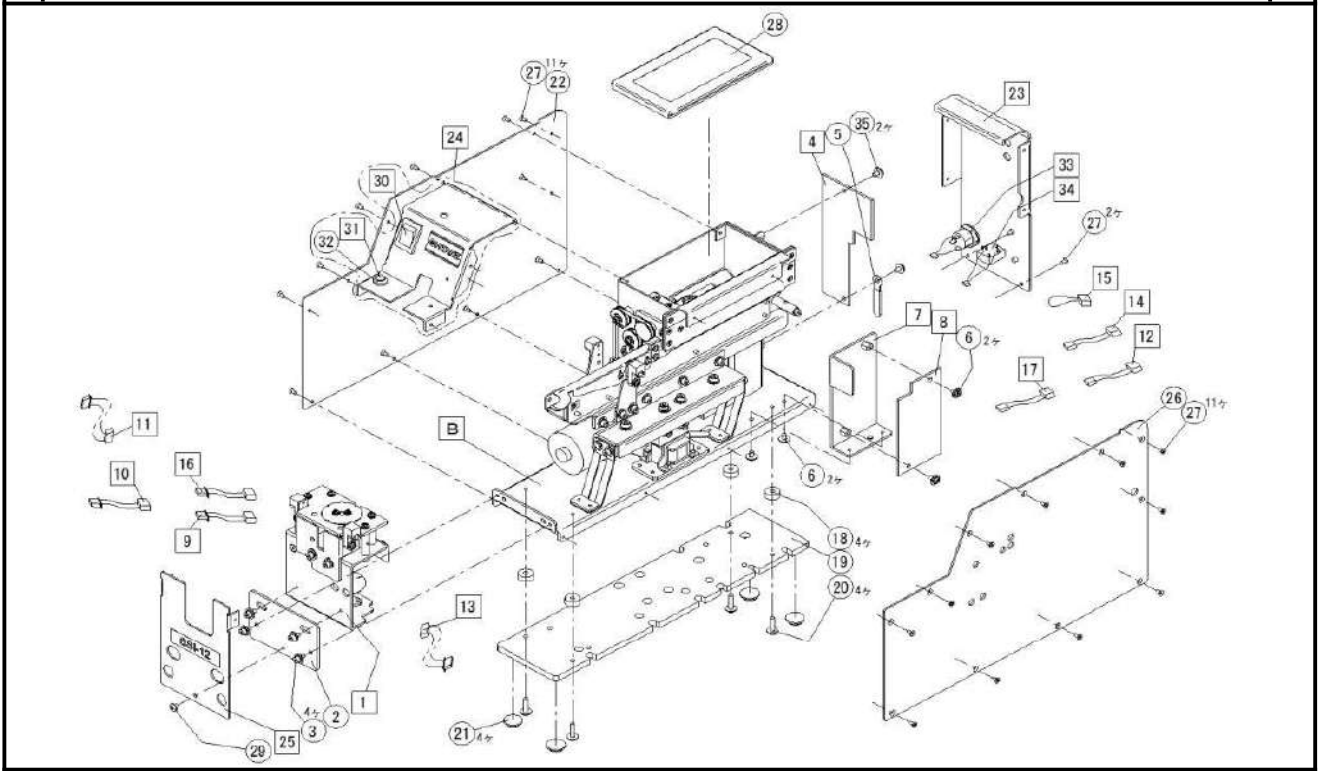
No.	Part Number	Name of Part	Q'ty used per set	Minimum q'ty packaging
B	-	Main Unit:SS12	Each Nominal	-
	-	Main Unit:SS123		-
1	SSI10058#01	Escaper Unit 2:SSI-M10 M1.0	Each Nominal	1
	SSI10058#02	Escaper Unit 2:SSI-M12 M1.2		1
	SSI10058#03	Escaper Unit 2:SSI-M14 M1.4		1
	SSI10058#04	Escaper Unit 2:SSI-M17 M1.7		1
	SSI10058#05	Escaper Unit 2:SSI-M20 M2.0		1
	SSI10058#06	Escaper Unit 2:SSI-M23 M2.3		1
	SSI10058#07	Escaper Unit 2:SSI-M26 M2.6		1
	SSI10058#08	Escaper Unit 2:SSI-M30 M3.0		1
2	SSI02016	Escapar Unit Fixing Plate	1	1
3	ZZM00261	Hex. Socket Head Bolt PW,SW M2.6*5 (10pcs)	10	1
4	ZPV00001#06	Main Circuit Board For SSI	1	1
5	CS-9	Coated Clip(10pcs)	1	1
6	ZZM00028	Pan Head Screw PW,SW M2.6*5 (10pcs)	4	1
7	SSI10040	Board bracket Assy	1	1
8	ZPV00001#19	SPM Board For SSI-M	1	1
9	SSI09003#02	Sensor Junction Cable-Origin Sensor	1	1
10	SSI09003#04	LED Junction Cable	1	1
11	SSI09003#06	Switch Junction Cable	1	1
12	SSI09003#08	Signal Junction Cable	1	1
13	SSI09003#09	Motor Junction Cable	1	1
14	SSI09003#11	Power Junction Cable	1	1
15	SSI09003#12	Jumper Connector	1	1
16	SSI09003#15	Sensor Junction Cable-Front Sensor	1	1
17	SSI09003#16	Solenoid Junction Cable	1	1
18	SSI02012	Spacer	4	1
19	SSI02011	Base weight	1	1
20	ZZM00032	Pan Head Screw PW,SW M2.6*12 (10pcs)	4	1
21	TM-166-12	Bumper	4	1
22	SSI02003	Left Cover	1	1
23	SSI10039	Rear Cover Assy	1	1
24	SSI10038	Cover Assy:SSI (With Sticker)	1	1
25	SSI10035#01	Front Cover Assy (With Sticker)	Each Nominal	1
	SSI10035#02	Front Cover Assy (With Sticker)		1
26	SSI02002	Right Cover	1	1

27	ZZM00120	Plus Countersunk Head Screw M2*4,Ni Plating,Looseness Prevention (10pcs)	24	1
28	NSN08106	Upper Cover	1	1
29	ZZM00159	Plus Truss Head Screw M2.6*3 Ni (10pcs)	1	1
30	SSI10027	Bit Guide Unit:SSI	1	1
31	NSIB6103	Bit Guide Assy	1	1
32	SSI09002#05	Power Switch (With Harness)	1	1
33	SSI09002#03	Front Sensor Detector LED	1	1
34	RTF-5010	LED Bezel	1	1
35	SSI09002#07	Power Plug (With Harness)	1	1
36	SSI09002#19	Signal Harness	1	1
37	ZZM00029	Pan Head Screw PW,SW M2.6*6 (10pcs)	2	1

A

【SSI-R】

A

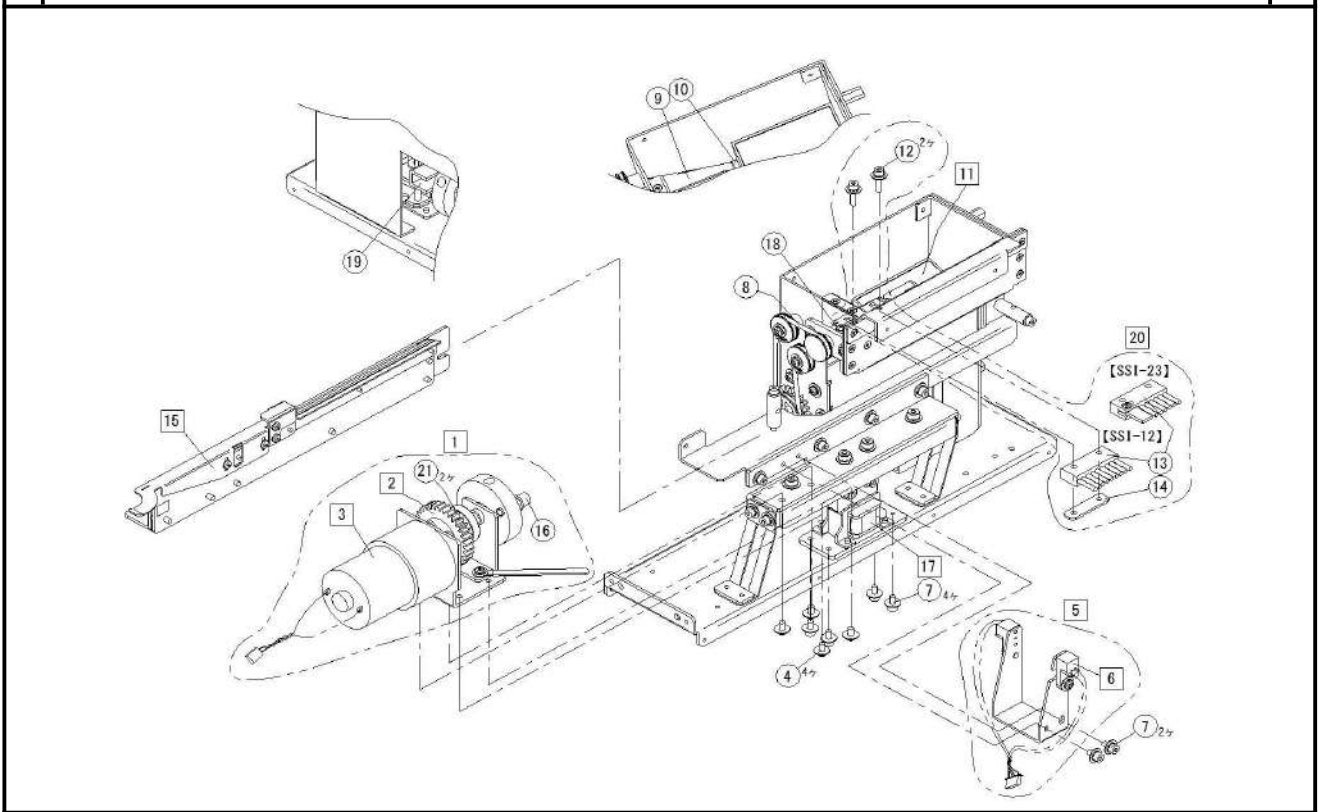


No.	Part Number	Name of Part	Q'ty used per set	Minimum q'ty packaging
B	-	Main Unit:SSI12	Each Nominal	-
	-	Main Unit:SSI23		-
1	SSI10057#01	Escaper Unit 2:SSI-R10 M1.0	Each Nominal	1
	SSI10057#02	Escaper Unit 2:SSI-R12 M1.2		1
	SSI10057#03	Escaper Unit 2:SSI-R14 M1.4		1
	SSI10057#04	Escaper Unit 2:SSI-R17 M1.7		1
	SSI10057#05	Escaper Unit 2:SSI-R20 M2.0		1
	SSI10057#06	Escaper Unit 2:SSI-R23 M2.3		1
	SSI10057#07	Escaper Unit 2:SSI-R26 M2.6		1
	SSI10057#08	Escaper Unit 2:SSI-R30 M3.0		1
2	SSI02016	Escapar Unit Fixing Plate	1	1
3	ZZM00261	Hex. Socket Head Bolt PW,SW M2.6*5 (10pcs)	4	1
4	ZPV00001#06	Main Circuit Board For SSI	1	1
5	CS-9	Coated Clip (10pcs)	1	1
6	ZZM00028	Pan Head Screw PW,SW M2.6*5 (10pcs)	4	1
7	SSI10040	Board bracket Assy	1	1
8	ZPV00001#20	SPM Board For SSI-R	1	1
9	SSI09003#02	Sensor Junction Cable-Origin Sensor	1	1
10	SSI09003#04	LED Junction Cable	1	1
11	SSI09003#06	Switch Junction Cable	1	1
12	SSI09003#08	Signal Junction Cable	1	1
13	SSI09003#09	Motor Junction Cable	1	1
14	SSI09003#11	Power Junction Cable	1	1
15	SSI09003#12	Jumper Connector	1	1
16	SSI09003#15	Sensor Junction Cable-Front Sensor	1	1
17	SSI09003#16	Solenoid Junction Cable	1	1
18	SSI02012	Spacer	4	1
19	SSI02011	Base weight	1	1
20	ZZM00032	Pan Head Screw PW,SW M2.6*12 (10pcs)	4	1
21	TM-166-12	Bumper	4	1
22	SSI02003	Left Cover	1	1
23	SSI10039	Rear Cover Assy	1	1
24	SSI10038	Cover Assy:SSI (With Sticker)	1	1
25	SSI10035#01	Front Cover Assy	Each Nominal	1
	SSI10035#02	Front Cover Assy		1
26	SSI02002	Right Cover	1	1

27	ZZM00120	Plus Countersunk Head Screw M2*4,Ni Plating,Looseness Prevention (10pcs)	24	1
28	NSN08106	Upper Cover	1	1
29	ZZM00159	Plus Truss Head Screw M2.6*3 Ni (10pcs)	1	1
30	SSI09002#05	Power Switch (With Harness)	1	1
31	SSI09002#03	Front Sensor Detector LED (With Harness)	1	1
32	RTF-5010	LED Bezel	1	1
33	SSI09002#07	Power Plug (With Harness)	1	1
34	SSI09002#19	Signal Harness	1	1
35	ZZM00029	Pan Head Screw PW,SW M2.6*6 (10pcs)	1	1

B

B



No.	Part Number	Name of Part	Q'ty used per set	Minimum q'ty packaging	
1	SSI10033	Driving Gear Unit:SSI	1	1	
2	NSN03102	Driving Gear	1	1	
3	NSN09102#07	Main Motor (With Harness)	1	1	
4	ZZM00028	Pan Head Screw PW,SW M2.6*5 (10pcs)	4	1	
5	NSN24004	Full Sensor Unit:SS23	1	1	
6	NSN09102#01	Full Sensor (With Harness)	1	1	
7	ZZM00261	Hex. Socket Head Bolt PW,SW M2.6*5 (10pcs)	6	1	
8	NSN03114	Brush Driving Belt	1	1	
9	NSN02114	Inclined Plate	1	1	
10	NSN02103	Inclined Plate Holder "B"	1	1	
11	NSN02006	Hopper Brock Assy	1	1	
12	ZZM01008	Hex. Socket Head Bolt PW,SW M2.6*10 (10pcs)	2	1	
13	NSN02107	Brush	Each	1	
	NSN22001	Brush:23		1	
14	NSN02108	Brush Bracket "B"	1	1	
15	※2	SIM10SET	Each	1	
	※2	SIM12SET		1	
	※2	SIM14SET		1	
	※2	SIM17SET		1	
	※2	SIM20SET		1	
	※2	SIM23SET		1	
	※2	SIM26SET		1	
	Nominal	※3	SIR10SET	Each	1
		※3	SIR12SET		1
		※3	SIR14SET		1
		※3	SIR17SET		1
		※3	SIR20SET		1
		※3	SIR23SET		1
		※3	SIR26SET		1
16	NSB03107	Driving Roller	1	1	
17	SSI10018	Solenoid Unit:SSI	1	1	
18	ZZM00587	Stainless Spacer	1	1	
19	NSB01108	Driving Holder Slit Plate	1	1	

20		NSN02005	Brush Assy	Each	1
		NSN22005	Brush Assy		1
21		ZZM00388	Hex. Socket Head Screw M4*8	2	1
22		SSI10029	Cover Assy:Hopper Front	1	1

※1 Please contact us for further details.

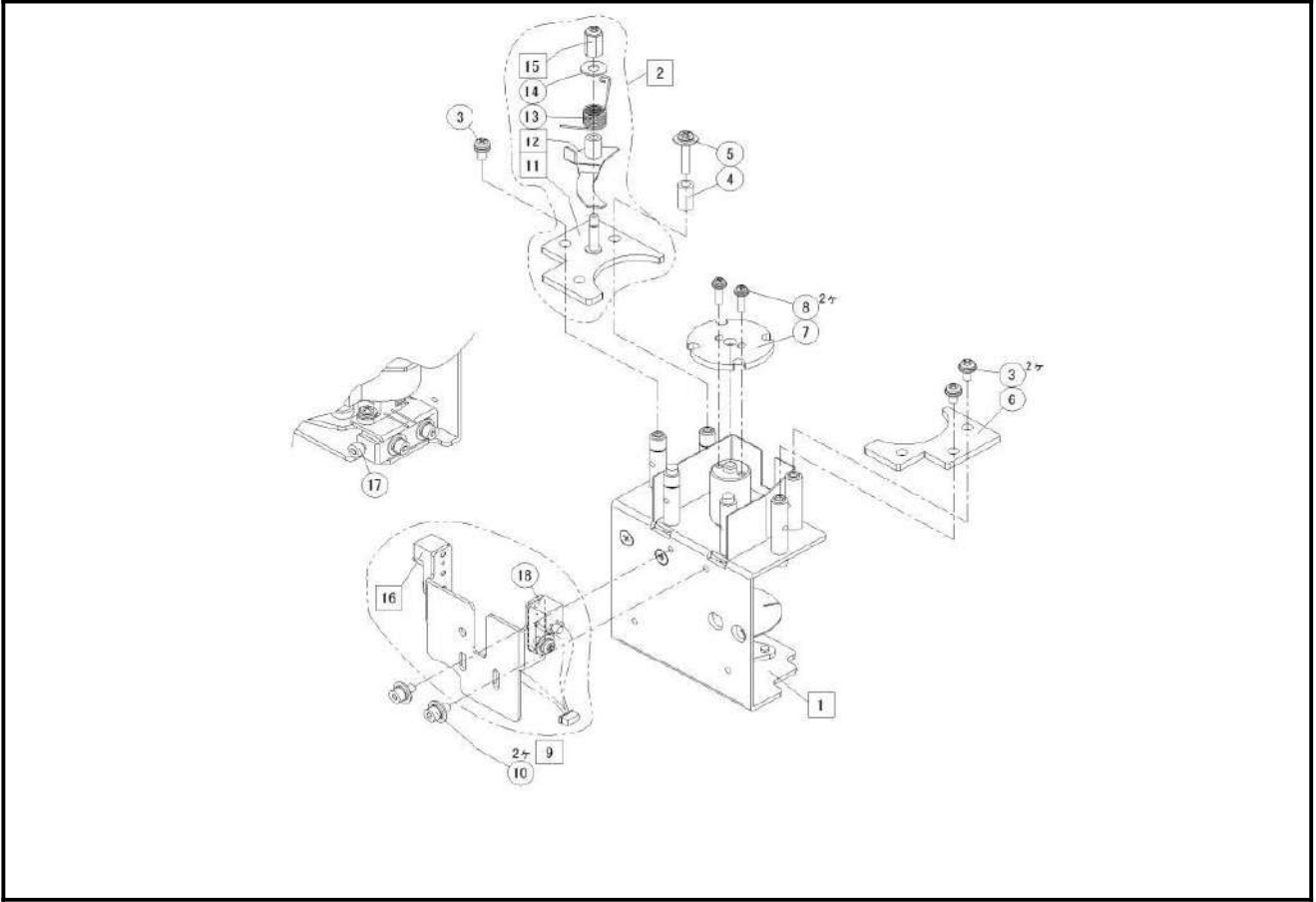
※2 Breakdown of the Exchange Kit (Rail,Escaper,Guide Right,Stopper Assy).

※3 Breakdown of the Exchange Kit (Rail,Escaper,Escaper Guide).

C

【SSI-M】

C



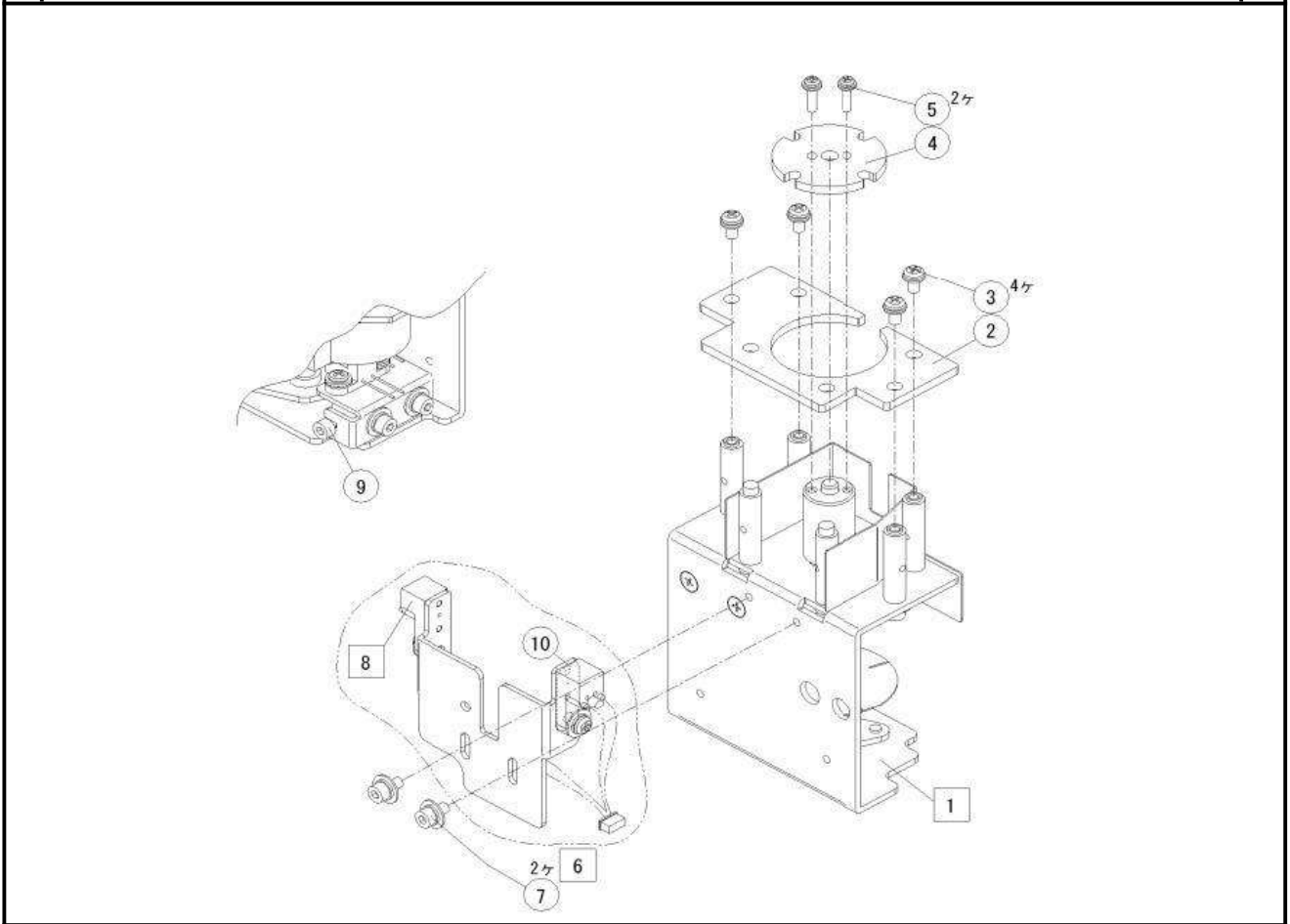
No.	Part Number	Name of Part	Q'ty used per set	Minimum q'ty packaging
1	SSI10056#01	Escaper Driving Unit 2:SSI-M (12)	Each Nominal	1
	SSI10056#02	Escaper Driving Unit 2:SSI-M (23)		1
2	SSI10004#01	Stopper Assy M1.0:SSIES10	Each Nominal	1
	SSI10004#02	Stopper Assy M1.2:SSIES12		1
	SSI10004#03	Stopper Assy M1.4:SSIES14		1
	SSI10004#04	Stopper Assy M1.7:SSIES17		1
	SSI10004#05	Stopper Assy M2.0:SSIES20		1
	SSI10004#06	Stopper Assy M2.3:SSIES23		1
	SSI10004#07	Stopper Assy M2.6:SSIES26		1
	SSI10004#08	Stopper Assy M3.0:SSIES30		1
3	ZZM00060	Pan Head Screw PW(s),SW M2.6*5 (10pcs)	3	1
4	ZZM00593	Stainless Spacer	1	1
5	ZZM00033	Pan Head Screw PW,SW M2.6*14 (10pcs)	1	1
6	SSIO3003#01	Guide Right M1.0:SSIEM10	Each Nominal	1
	SSIO3003#02	Guide Right M1.2:SSIEM12		1
	SSIO3003#03	Guide Right M1.4:SSIEM14		1
	SSIO3003#04	Guide Right M1.7:SSIEM17		1
	SSIO3003#05	Guide Right M2.0:SSIEM20		1
	SSIO3003#06	Guide Right M2.3:SSIEM23		1
	SSIO3003#07	Guide Right M2.6:SSIEM26		1
	SSIO3003#08	Guide Right M3.0:SSIEM30		1
7	SSIO3001#01	Escaper M1.0:SSIE10	Each Nominal	1
	SSIO3001#02	Escaper M1.2:SSIE12		1
	SSIO3001#03	Escaper M1.4:SSIE14		1
	SSIO3001#04	Escaper M1.7:SSIE17		1
	SSIO3001#05	Escaper M2.0:SSIE20		1
	SSIO3001#06	Escaper M2.3:SSIE23		1
	SSIO3001#07	Escaper M2.6:SSIE26		1
	SSIO3001#08	Escaper M3.0:SSIE30		1
8	ZZM00071	Pan Head Screw PW(s),SW M2*8 Ni (10pcs)	2	1
9	SSI10024	Front Sensor Unit:SSI	1	1
10	ZZM00261	Hex. Socket Head Bolt PW,SW M2.6*5 (10pcs)	2	1

11	SSI10001#01	Escaper Guide Left:M10	Each Nominal	1
	SSI10001#02	Escaper Guide Left:M12		1
	SSI10001#03	Escaper Guide Left:M14		1
	SSI10001#04	Escaper Guide Left:M17		1
	SSI10001#05	Escaper Guide Left:M20		1
	SSI10001#06	Escaper Guide Left:M23		1
	SSI10001#07	Escaper Guide Left:M26		1
	SSI10001#08	Escaper Guide Left:M30		1
12	SSI10007	Stopper(t0.6)	1	1
13	TPO91101	E-Stopper Spring	1	1
14	ZZM00394	Plain Washer M3 (10pcs)	1	1
15	TPO20804	E-Stopper Spring Stopping Screw Assy	1	1
16	SSI09002#14	Front Sensor (With Harness)	1	1
17	NSB02125	Adjusting Screw	1	1
18	NSR08621	Light Receiver Slit Plate	1	1

C

【SSI-R】

C



No.	Part Number	Name of Part	Q'ty used per set	Minimum q'ty packaging
1	SSI10055#01	Escaper Driving Unit 2:SSI-R (12)	Each Nominal	1
	SSI10055#02	Escaper Driving Unit 2:SSI-R (23)		1
2	SSI03004	Escaper Guide 10-17 (M1.0-M1.7:SSIER10-17)	Each Nominal	1
	SSI03005	Escaper Guide 20-30 (M2.0-M3.0:SSIER20-30)		1
3	ZZM00060	Pan Head Screw PW(s),SW M2.6*5 (10pcs)	4	1
4	SSI03001#01	Escaper M1.0:SSIE10	Each Nominal	1
	SSI03001#02	Escaper M1.2:SSIE12		1
	SSI03001#03	Escaper M1.4:SSIE14		1
	SSI03001#04	Escaper M1.7:SSIE17		1
	SSI03001#05	Escaper M2.0:SSIE20		1
	SSI03001#06	Escaper M2.3:SSIE23		1
	SSI03001#07	Escaper M2.6:SSIE26		1
	SSI03001#08	Escaper M3.0:SSIE30		1
5	ZZM00071	Pan Head Screw PW(s),SW M2*8 Ni (10pcs)	2	1
6	SSI10024	Front Sensor Unit:SSI	1	1
7	ZZM00261	Hex. Socket Head Bolt PW,SW M2.6*5 (10pcs)	2	1
8	SSI09002#14	Front Sensor (With Harness)	1	1
9	NSB02125	Adjusting Screw	1	1
10	NSR08621	Light Receiver Slit Plate	1	1

ACCESSORIES

No.	Part Number	Name of Part	Q'ty used per set	Minimum q'ty packaging
1	UNI315-1510(PSE)	UNI315-1510 AC Adapter DC15V with PSE Cord	Anyone	1
	UI315-15(CCC)	UI315-15 AC Adapter DC15V with CCC Cord		1
	UI315-15(KC)	UI315-15 AC Adapter DC15V with KC Cord		1
	UNI315-1510(UL)	UNI315-1510 AC Adapter DC15V with UL Cord		1
	※4 UNI315-1510(CE)	UNI315-1510 AC Adapter DC15V with CE Cord		1
2	WRENCH-M2.0	Allen Wrench	1	1
3	NSN08201	Driver	1	1
4	TPO21202	Ground Wire	1	1
5	SSIMMA01	Operation Manual SSI-M Series	1	1
	SSIRMA01	Operation Manual SSI-R Series	1	1

※4 The AC adapter uses CE certified products.

