



Parts list & exploded view

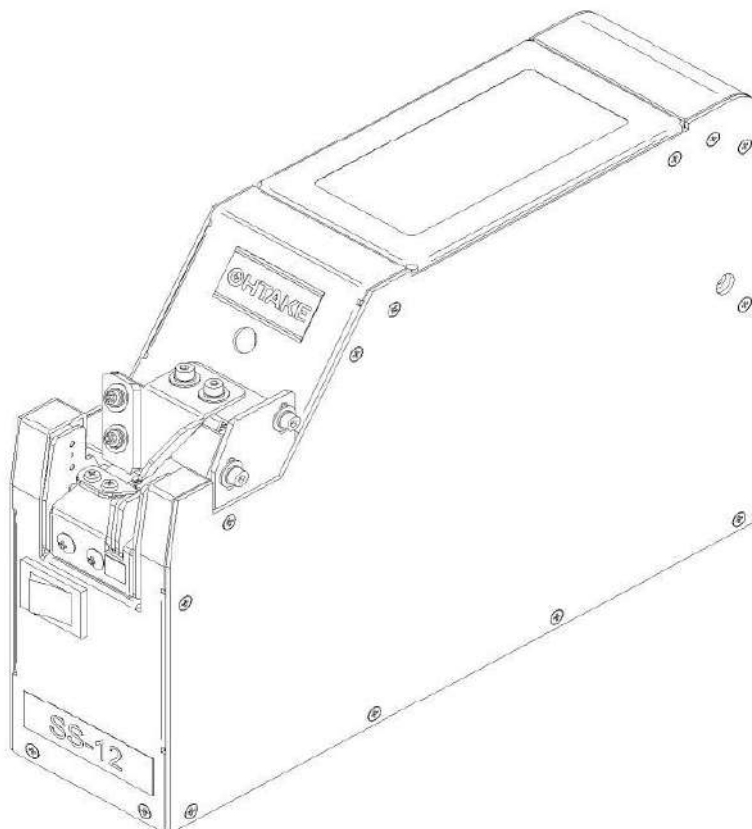
OHTAKE**SS-12
SS-23****OHTAKE automatic screw feeder NEJIKURA****SS-1210 / SS-1212 / SS-1214 / SS-1217 / SS-1220 series****SS-2323 / SS-2326 / SS-2330 series**

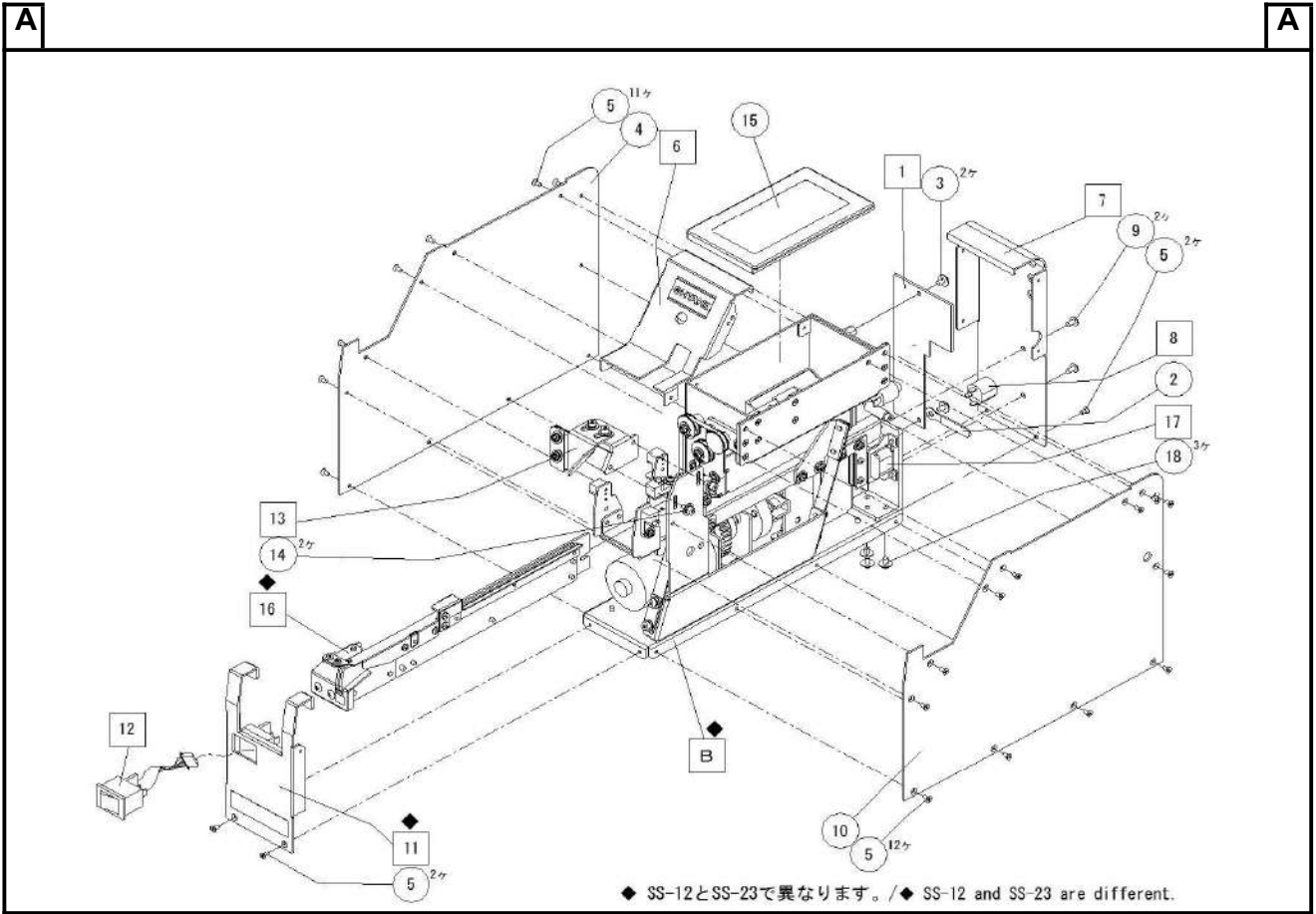
© DOGA DOC.60481.10/22

IMPORTANT

- Parts would be delivered in the minimum order quantity base.
- Some components are supplied only as assemblies.
- The components assembly might be reviewed without any notice.
- The minimum order quantities are indicated in the item descriptions.
- Any variations and upgrades in the designs of the product change without notice.

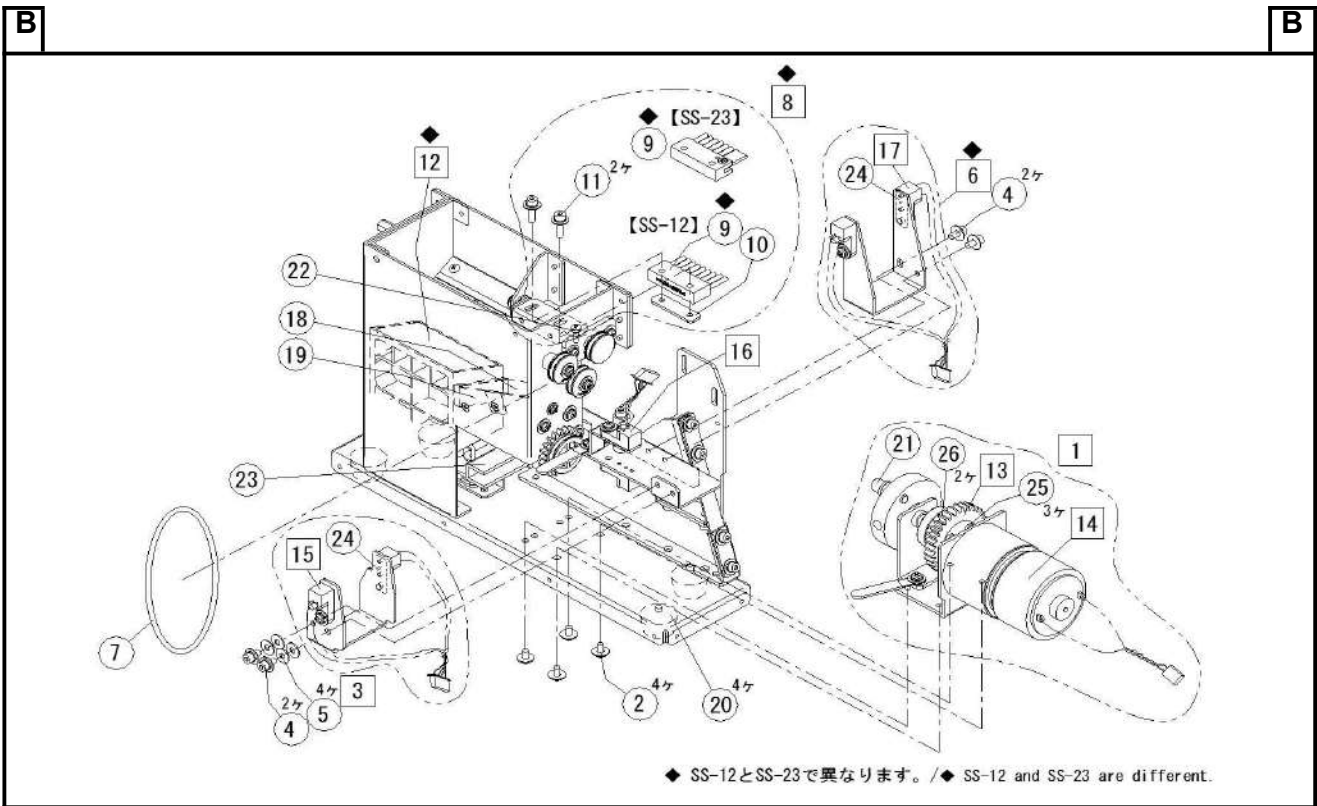
OVERVIEW





No.	Part Number	Name of Part	Q'ty used per set	Minimum q'ty packaging
◆B	-	Main Unit:SS12	Each Nominal	-
	-	Main Unit:SS23		-
1	ZPV0001#07	Main Circuit Board For SS	1	1
2	CS-9	Coated Clip(10pcs)	1	1
3	ZZM00029	Pan Head Screw PW,SW M2.6*6 (10pcs)	2	1
4	NSN08104	Cover - Left	1	1
5	ZZM00120	Plus Countersunk Head Screw M2*4,Ni Plating,Looseness Prevention (10pcs)	27	1
6	NSN08003	Middle Cover Assy (With Sticker)	1	1
7	NSN08006	Rear Cover Assy	1	1
8	NSN09102#05	Power Plug (With Harness)	1	1
9	ZZM00161	Plus Truss Head Screw M2.6*5 Ni (10pcs)	2	1
10	NSN08105	Cover - Right	1	1
◆11	NSN08005#01	Front Cover Assy:SS12 (With Sticker)	Each Nominal	1
	NSN08005#02	Front Cover Assy:SS23 (With Sticker)		1
12	NSN09102#04	Power Switch (With Harness)	1	1
13	NSN06001	Bit Guide Assy	1	1
14	ZZM00261	Hex. Socket Head Bolt PW,SW M2.6*5 (10pcs)	2	1
15	NSN08106	Upper Cover	1	1
◆16	WR10	Exchange Kit M1.0	Each Nominal	1
	WR12	Exchange Kit M1.2		1
	WR14	Exchange Kit M1.4		1
	WR17	Exchange Kit M1.7		1
	WR20	Exchange Kit M2.0		1
	WR23	Exchange Kit M2.3		1
	WR26	Exchange Kit M2.6		1
WR30	Exchange Kit M3.0	1		
17	NSN04006	Solenoid Unit	1	1
18	ZZM00028	Pan Head Screw PW,SW M2.6*5 (10pcs)	3	1

※1 Please contact us for further details.



No.	Part Number	Name of Part	Q'ty used per set	Minimum q'ty packaging
1	NSN03001	Driving Gear Unit:SS	1	1
2	ZZM00028	Pan Head Screw PW,SW M2.6*5 (10pcs)	4	1
3	NSN04005	Front Sensor Unit	1	1
4	ZZM00261	Hex. Socket Head Bolt PW,SW M2.6*5 (10pcs)	4	1
5	ZZM00393	Plain Washer M2.6 (10pcs)	4	1
◆6	NSN04004	Full Sensor Unit:SS12	Each Nominal	1
	NSN24004	Full Sensor Unit:SS23		1
7	NSN03114	Brush Driving Belt	1	1
◆8	NSN02005	Brush Assy	Each Nominal	1
	NSN22005	Brush Assy		1
◆9	NSN02107	Brush	Each Nominal	1
	NSN22001	Brush:23		1
10	NSN02108	Brush Bracket "B"	1	1
11	ZZM01008	Hex. Socket Head Bolt PW,SW M2.6*10 (10pcs)	2	1
◆12	NSN02006	Hopper Brock Assy	Each Nominal	1
	NSN22006	Hopper Brock Assy (23)		1
13	NSN03102	Driving Gear	1	1
14	NSN09102#07	Main Motor (With Harness)	1	1
15	NSN09102#03	Front Sensor (With Harness)	1	1
16	NSN09102#02	Take-Out Sensor (With Harness)	1	1
17	NSN09102#01	Full Sensor (With Harness)	1	1
18	NSN02114	Inclined Plate	1	1
19	NSN02103	Inclined Plate Holder "B"	1	1
20	K5W	Rubber Foot	4	1
21	NSB03107	Driving Roller	1	1
22	ZZM00587	Stainless Spacer	1	1
23	NSB01108	Driving Holder Slit Plate	1	1
24	NSR08621	Light Receiver Slit Plate	2	1
25	ZZM00358	Binding Head Screw M2.6*14 (10pcs)	3	1
26	ZZM00388	Hex. Socket Head Screw M4*8	2	1
		Loosening Prevention (10pcs)		

ACCESSORIES

No.	Part Number	Name of Part	Q'ty used per set	Minimum q'ty packaging
1	UNI315-1510(PS)	UNI315-1510 AC Adapter DC15V with PSE Cord	Anyone	1
	UI315-15(CCC)	UI315-15 AC Adapter DC15V with CCC Cord		1
	UI315-15(KC)	UI315-15 AC Adapter DC15V with KC Cord		1
	UNI315-1510(UL)	UNI315-1510 AC Adapter DC15V with UL Cord		1
	※2 UNI315-1510(CE)	UNI315-1510 AC Adapter DC15V with CE Cord		1
2	WRENCH-M2.0	Allen Wrench	1	1
3	NSN08201	Driver	1	1
4	TPO21202	Ground Wire	1	1
5	NSN1MA01	Operation Manual SS Series	1	1

※2 The AC adapter uses CE certified products.