



## Parts list & exploded view

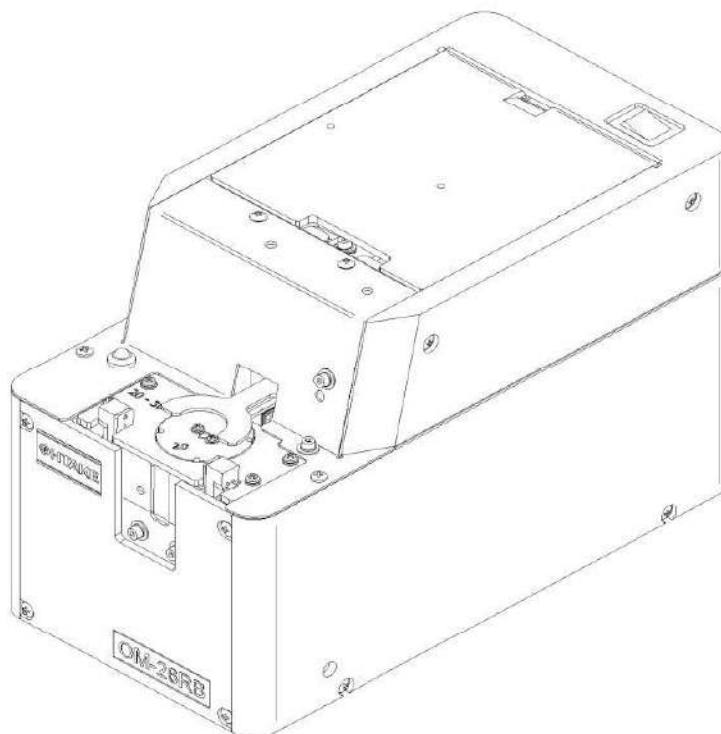
**OHTAKE****OM-26RB****OHTAKE automatic screw feeder NEJIKURA****OM-26RB20 / OM-26RB23 / OM-26RB26 / OM-26RB30 series****OM-26RB35 / OM-26RB40 / OM-26RB50 / OM-26RB60 series**

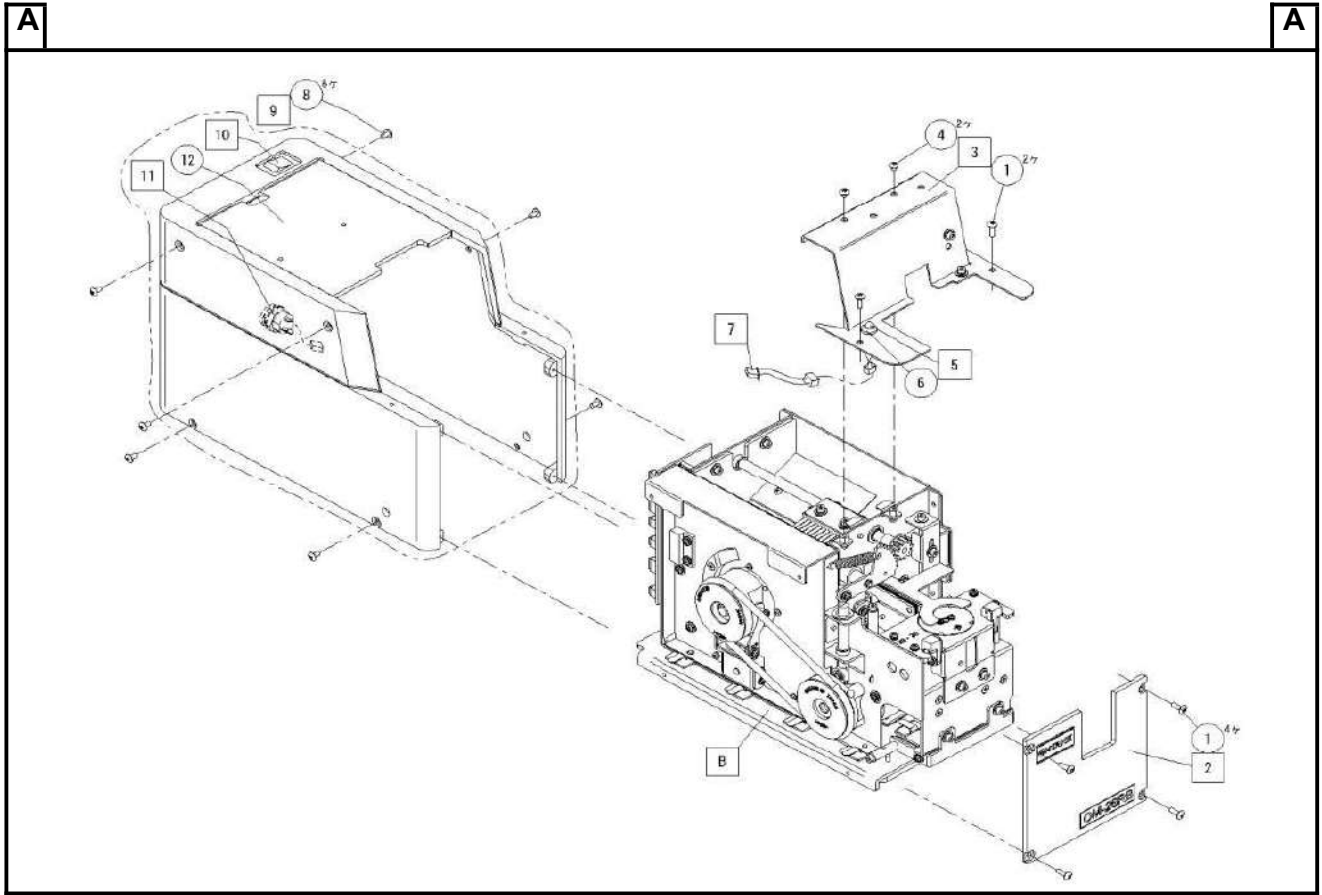
© DOGA DOC.60480.10/22

### IMPORTANT

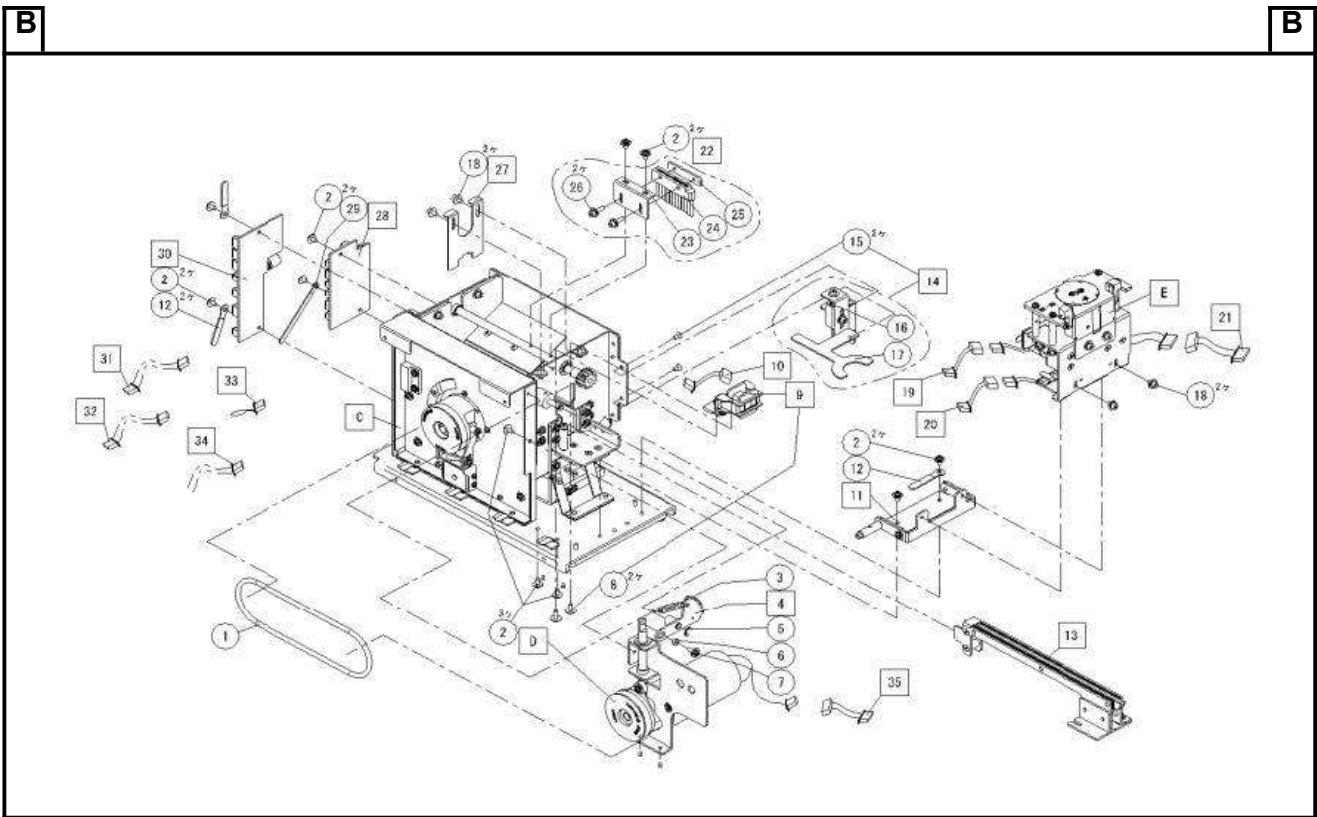
- Parts would be delivered in the minimum order quantity base.
- Some components are supplied only as assemblies.
- The components assembly might be reviewed without any notice.
- The minimum order quantities are indicated in the item descriptions.
- Any variations and upgrades in the designs of the product change without notice.

### OVERVIEW





No.	Part Number	Name of Part	Q'ty used per set	Minimum q'ty packaging
B	-	Block "B" Assy	1	-
1	ZZM00363	Binding Head Tapping Screw M2.6*8 Ni (10pcs)	6	1
2	TPO11210	Front Bottom Cover Assy (B)	1	1
3	TPO00907	Front Cover Assy	1	1
4	ZZM00159	Plus Truss Head Screw M2.6*3 Ni (10pcs)	2	1
5	TPO01002#03	Front Sensor Detector LED	1	1
6	RTF-5010	LED Bezel	1	1
7	TPO01003#04	LED Junction Cable	1	1
8	ZZM00161	Plus Truss Head Screw M2.6*5 Ni (10pcs)	8	1
9	TPO11208	Outside Cover Assy (B)	1	1
10	TPO01002#05	Power Switch (With Harness)	1	1
11	TPO01002#06	Power Plug (With Harness)	1	1
12	TPO00711	Upper Lid	1	1

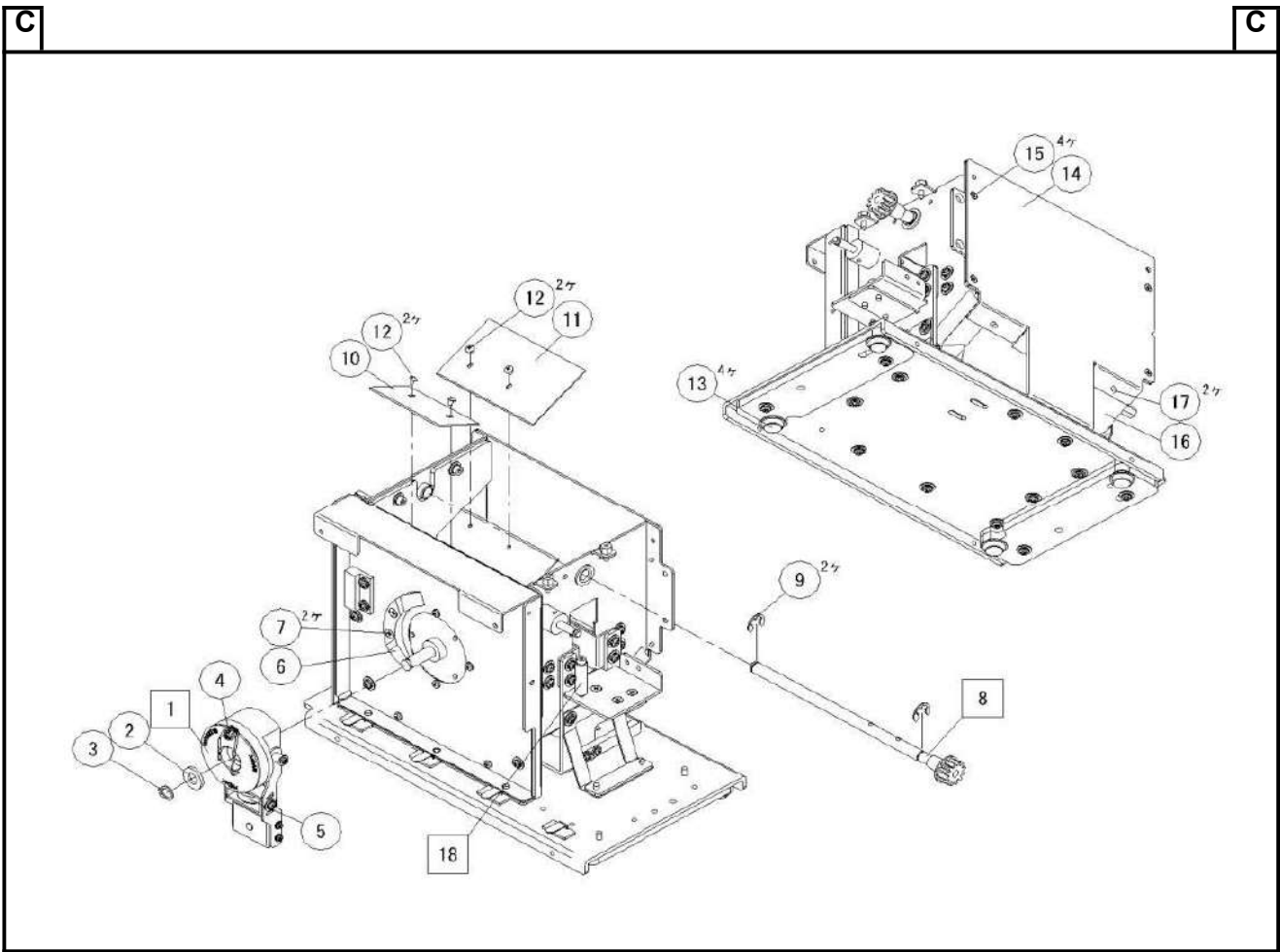


No.	Part Number	Name of Part	Q'ty used per set	Minimum q'ty packaging
C	-	Block "C" Assy	1	-
D	TPO11203	Motor Bracket Unit (B)	1	1
E	TPO40621#01	Escaper Unit:OM2-26R M2.0	Each Nominal	1
	TPO40621#02	Escaper Unit:OM2-26R M2.3		1
	TPO40621#03	Escaper Unit:OM2-26R M2.6		1
	TPO40621#04	Escaper Unit:OM2-26R M3.0		1
	TPO40621#05	Escaper Unit:OM2-26R M3.5		1
	TPO40621#06	Escaper Unit:OM2-26R M4.0		1
	TPO40621#07	Escaper Unit:OM2-26R M5.0		1
	TPO40621#08	Escaper Unit:OM2-26R M6.0		1
1	TEK81011	Drive Belt(φ5-285)	1	1
2	ZZM00029	Pan Head Screw PW,SW M2.6*6 (10pcs)	11	1
3	TPO00808	Extention Spring	1	1
4	NSB02058	Brush Driving Gear Large 3	1	1
5	ZZM00510	E-Type Snap Ring E-3 (10pcs)	1	1
6	TPO00409	Stainless Spacer	1	1
		Pan Head Screw PW,SW M2.6*8		
		Pan Head Screw PW,SW M3*7		
9	TPO11033	Solenoid Unit	1	1
10	TPO01003#15	Solenoid Junction Cable	1	1
11	TPO11211	Escaper Fixing Unit (B)	1	1
12	CS-9	Coated Clip(10pcs)	3	1
13	※2 OMR20SET2	Exchange Kit M2.0	Each Nominal	1
	※2 OMR23SET2	Exchange Kit M2.3		1
	※2 OMR26SET2	Exchange Kit M2.6		1
	※2 OMR30SET2	Exchange Kit M3.0		1
	※2 OMR35SET2	Exchange Kit M3.5		1
	※2 OMR40SET2	Exchange Kit M4.0		1
	※2 OMR50SET2	Exchange Kit M5.0		1
	※2 OMR60SET2	Exchange Kit M6.0		1
14	TPO11035	Presser Plate Unit	1	1
15	ZZM00100	Plus Countersunk Head Screw M2.6*5 (10pcs)	2	1
16	TPO00809	Compression Spring	1	1
17	TPO00708	Presser Plate #2	1	1
18	ZZM00261	Hex. Socket Head Bolt PW,SW M2.6*5 (10pcs)	4	1
19	TPO01003#14	Sensor Junction Cable-Front Sensor	1	1
20	TPO01003#02	Sensor Junction Cable-Origin Sensor	1	1

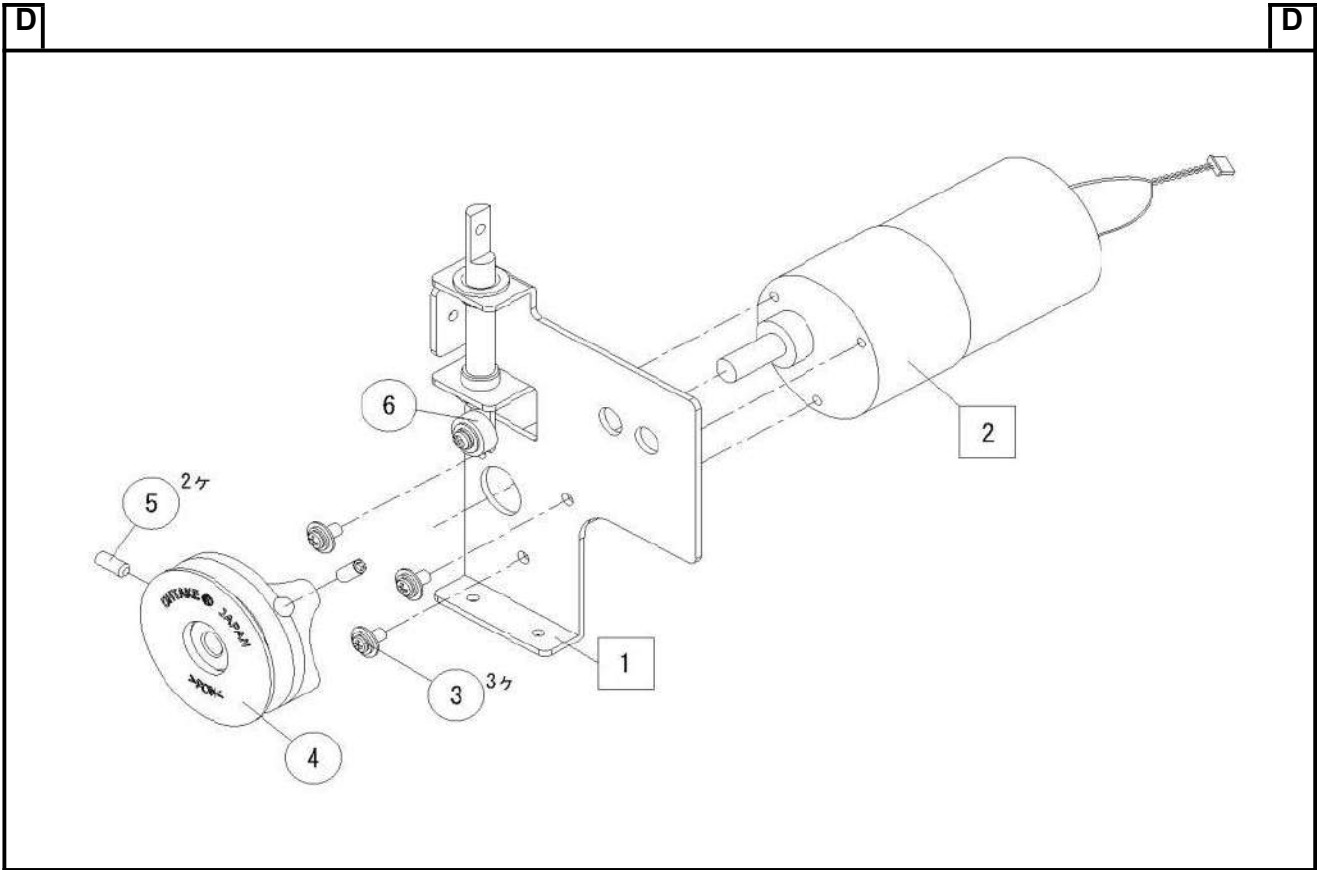
21		TPO01003#08	Motor Junction Cable	1	1
22		TPO00908	Brush Assy	1	1
23		TPO90988	Brush Bracket	1	1
24		TPO90990	Brush	1	1
25		TPO90989	Brush Holding Plate	1	1
26		ZZM01008	Hex. Socket Head Bolt PW,SW M2.6*10 (10pcs)	2	1
27		TPO11011#01	Passing Plate:OM20-30 M2.0-3.0	Each Nominal	1
		TPO11011#02	Passing Plate:OM35-40 M3.5-4.0		1
		TPO11011#03	Passing Plate:OM50 M5.0		1
		TPO11011#04	Passing Plate:OM60 M6.0		1
28		ZPV00001#22	SPM Board For OM-26RB	1	1
29		CS-1	Coated Clip(10pcs)	1	1
30		ZPV00001#10	Main Circuit Board For OM-26RB	1	1
31		TPO01003#07	Signal Junction Cable	1	1
32		TPO01003#10	Power Junction Cable	1	1
33		TPO01003#11	Jumper Connector	1	1
34		TPO01002#18	Signal Harness	1	1
35		TPO19008	B Motor Junction Cable	1	1

※1 Please contact us for further details.

※2 Breakdown of the Exchange Kit(Rail, Passing Plate, Escaper, Escaper Guide for Robot).



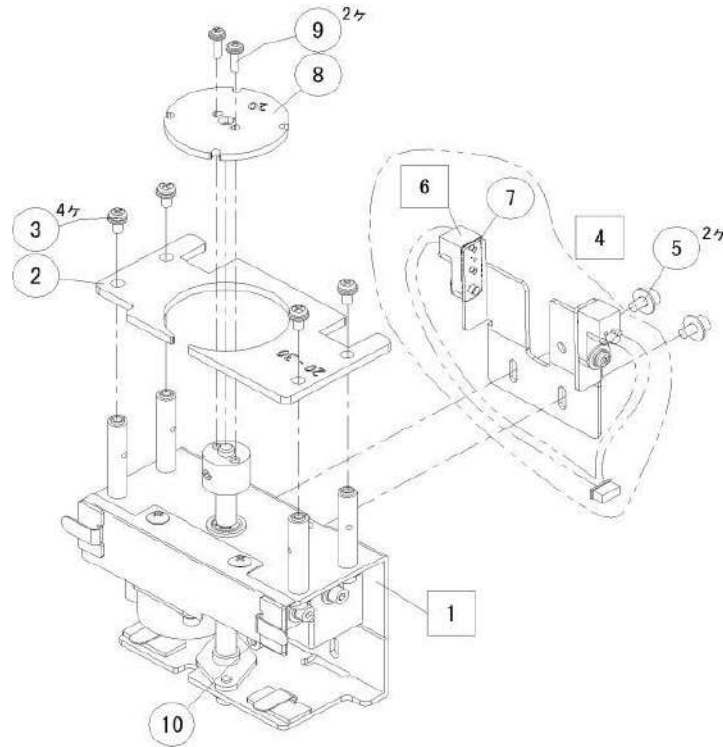
No.	Part Number	Name of Part	Q'ty used per set	Minimum q'ty packaging
1	TPO11032	Magnet Arm Unit	1	1
2	ZZM00397	Plain Washer M6 (10pcs)	1	1
3	ZZM00536	C-Type Snap Ring Nominal 6 (10pcs)	1	1
4	TPO00407	Magnetic Arm Spring	1	1
5	TPO00508	Roller Arm: Press-fit	1	1
6	TPO00461	Separating Rail	1	1
7	ZZM00102	Plus Countersunk Head Screw M2.6*8 (10pcs)	2	1
8	TPO11039	Brush Shaft Assy	1	1
9	ZZM00512	E-Type Snap Ring E-5 (10pcs)	2	1
10	TPO11310	Scraper Left (t1.0)	1	1
11	TPO91202	Scraper Right	1	1
12	ZZM00157	Plus Truss Head Screw M2*3 Ni (10pcs)	4	1
13	TM-166-12	Bumper	4	1
14	TPO11301	Right Wall 2	1	1
15	ZZM00120	Plus Countersunk Head Screw M2*4, Ni Plating, Looseness Prevention (10pcs)	4	1
16	TPO11302	Bottom Plate	1	1
17	ZZM00161	Plus Truss Head Screw M2.6*5 Ni (10pcs)	2	1
18	TPO00904	Fixing Bolt	1	1



No.	Part Number	Name of Part	Q'ty used per set	Minimum q'ty packaging
1	TPO11040	Motor Bracket (With Shaft)	1	1
2	G37DHC3420B01	Brushless Motor (With Harness)	1	1
3	ZZM00620	Pan Head Screw PW,SW M3*7	3	1
4	TPO00509	Driving Pulley	1	1
5	ZZM00388	Hex. Socket Head Screw M4*8	2	1
6	TPO90982	Roller: Brush Driving Shaft	1	1

E

E



No.	Part Number	Name of Part	Q'ty used per set	Minimum q'ty packaging
1	TPO40623	Escaper Driving Unit:OM2-26R	1	1
2	TPO40615#02	Escaper Guide 2 for Robot:M2.0-3.0 SIE2R20-30	Each	1
	TPO40615#03	Escaper Guide 2 for Robot:M3.5-4.0 SIE2R35-40		1
	TPO40615#04	Escaper Guide 2 for Robot:M5.0-6.0 SIE2R50-60		1
3	ZZM00060	Pan Head Screw PW(s),SW M2.6*5 (10pcs)	4	1
4	TPO00622	Front Sensor Unit	1	1
5	ZZM00261	Hex. Socket Head Bolt PW,SW M2.6*5 (10pcs)	2	1
6	TPO01002#13	Front Sensor (With Harness)	1	1
7	NSR08621	Light Receiver Slit Plate	1	1
8	TPO00604#05	Escaper:M2.0 SIE20	Each Nominal	1
	TPO00604#06	Escaper:M2.3 SIE23		1
	TPO00604#07	Escaper:M2.6 SIE26		1
	TPO00604#08	Escaper:M3.0 SIE30		1
	TPO00604#09	Escaper:M3.5 SIE35		1
	TPO00604#10	Escaper:M4.0 SIE40		1
	TPO00604#11	Escaper:M5.0 SIE50		1
TPO00604#12	Escaper:M6.0 SIE60	1		
9	ZZM00071	Pan Head Screw PW(s),SW M2*8 Ni (10pcs)	2	1
10	NSB02125	Adjusting Screw	1	1

## ACCESSORIES

No.	Part Number	Name of Part	Q'ty used per set	Minimum q'ty packaging
1	UNI315-1510(PSE)	UNI315-1510 AC Adapter DC15V with PSE Cord	Anyone	1
	UI315-15(CCC)	UI315-15 AC Adapter DC15V with CCC Cord		1
	UI315-15(KC)	UI315-15 AC Adapter DC15V with KC Cord		1
	UNI315-1510(UL)	UNI315-1510 AC Adapter DC15V with UL Cord		1
	※3 UNI315-1510(CE)	UNI315-1510 AC Adapter DC15V with CE Cord		1
2	WRENCH-M2.0	Allen Wrench	1	1
3	NSN08201	Driver	1	1
4	TPO21202	Ground Wire	1	1
5	OMRBMA01	Operation Manual OM-26RB Series	1	1

※3 The AC adapter uses CE certified products.