



Parts list & exploded view

OHTAKE**OM-26M
OM-26R**

OHTAKE automatic screw feeder NEJIKURA

OM-26M20 / OM-26M23 / OM-26M26 / OM-26M30 / OM-26M35 / OM-26M40 / OM-26M50 / OM-26M60 series

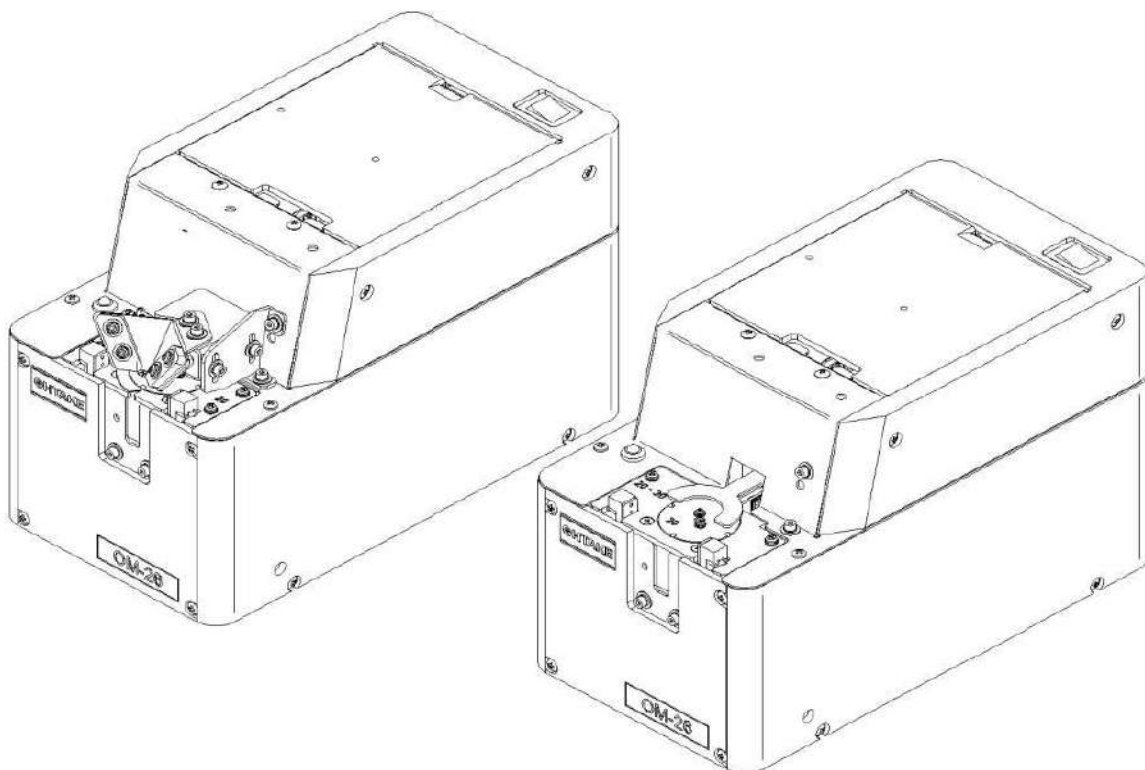
OM-26R20 / OM-26R23 / OM-26R26 / OM-26R30 / OM-26R35 / OM-26R40 / OM-26R50 / OM-26R60 series

© DOGA DOC.60479.10/22

IMPORTANT

- Parts would be delivered in the minimum order quantity base.
- Some components are supplied only as assemblies.
- The components assembly might be reviewed without any notice.
- The minimum order quantities are indicated in the item descriptions.
- Any variations and upgrades in the designs of the product change without notice.

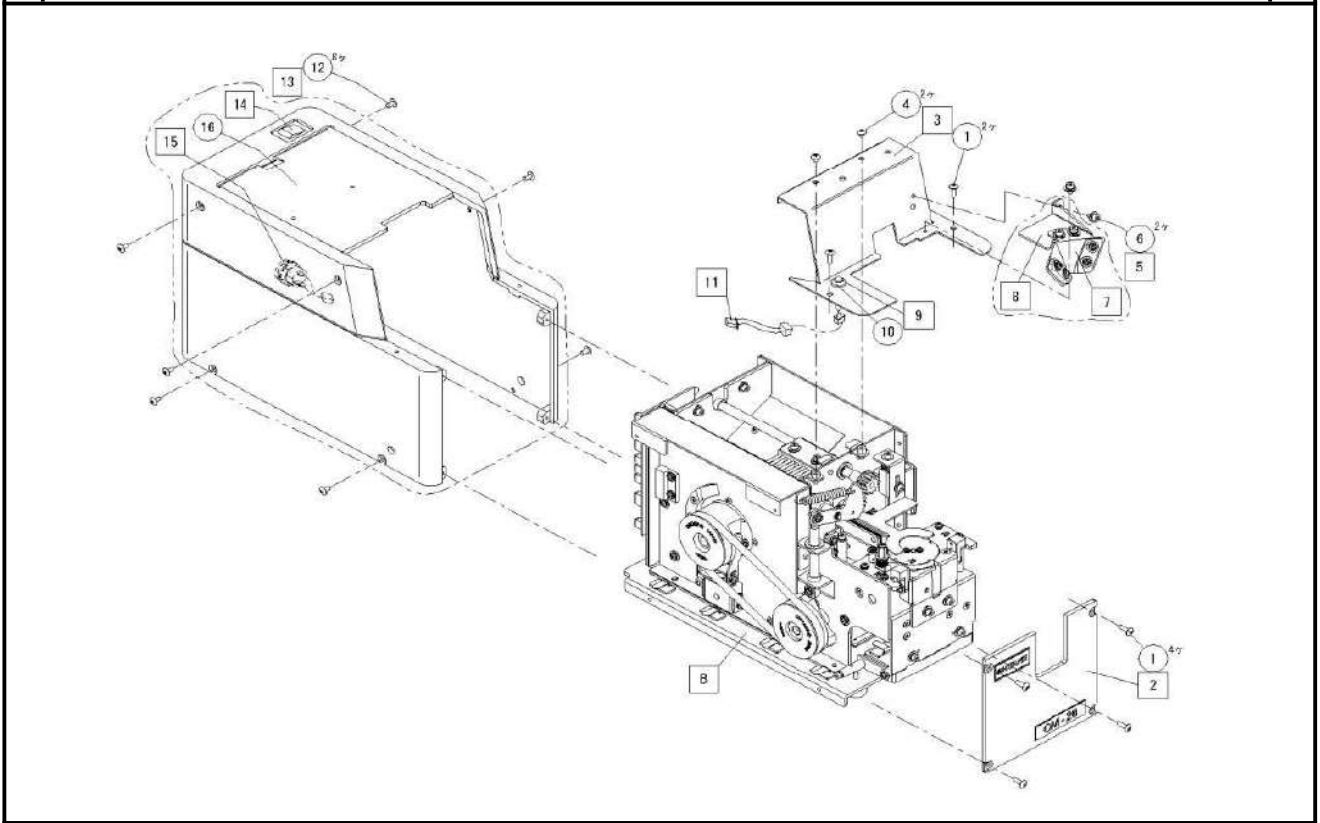
OVERVIEW



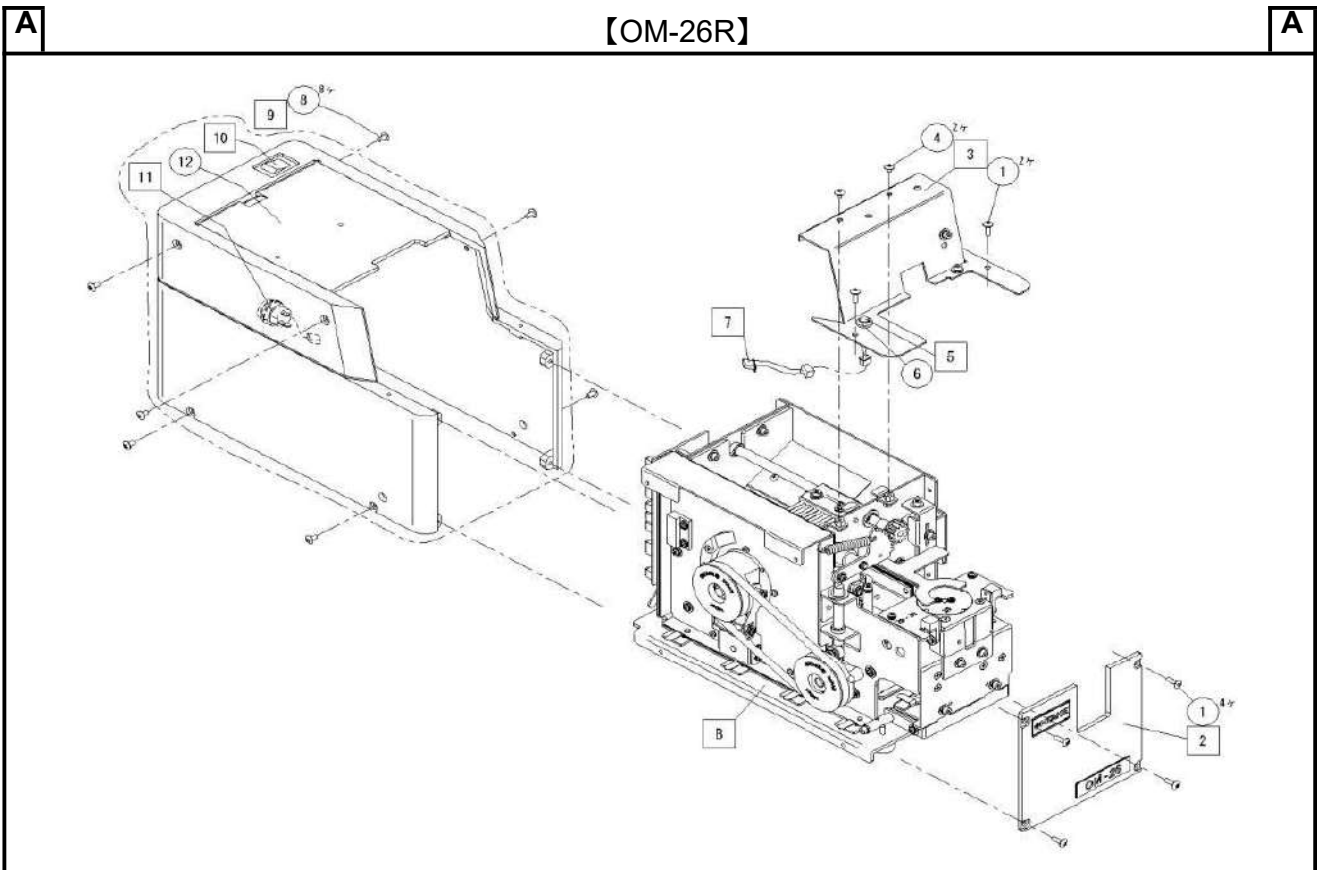
A

【OM-26M】

A



No.	Part Number	Name of Part	Q'ty used per set	Minimum q'ty packaging
B	-	Block "B" Assy	1	-
1	ZZM00363	Binding Head Tapping Screw M2.6*8 Ni (10pcs)	6	1
2	TPO11048	Front Bottom Cover Assy (With Sticker)	1	1
3	TPO00906	Front Cover Assy	1	1
4	ZZM00159	Plus Truss Head Screw M2.6*3 Ni (10pcs)	2	1
5	TPO00905	Bit Guide Assy: OM-26M	1	1
6	ZZM00261	Hex. Socket Head Bolt PW,SW M2.6*5 (10pcs)	2	1
7	TPO00913	Bit Guide Unit	1	1
8	TPO00914	Bit Guide Attaching Unit	1	1
9	TPO01002#03	Front Sensor Detector LED (With Harness)	1	1
10	RTF-5010	LED Bezel	1	1
11	TPO01003#04	LED Junction Cable	1	1
12	ZZM00161	Plus Truss Head Screw M2.6*5 Ni (10pcs)	8	1
13	TPO11049	Outside Cover Assy	1	1
14	TPO01002#05	Power Switch (With Harness)	1	1
15	TPO01002#06	Power Plug (With Harness)	1	1
16	TPO00711	Upper Lid	1	1

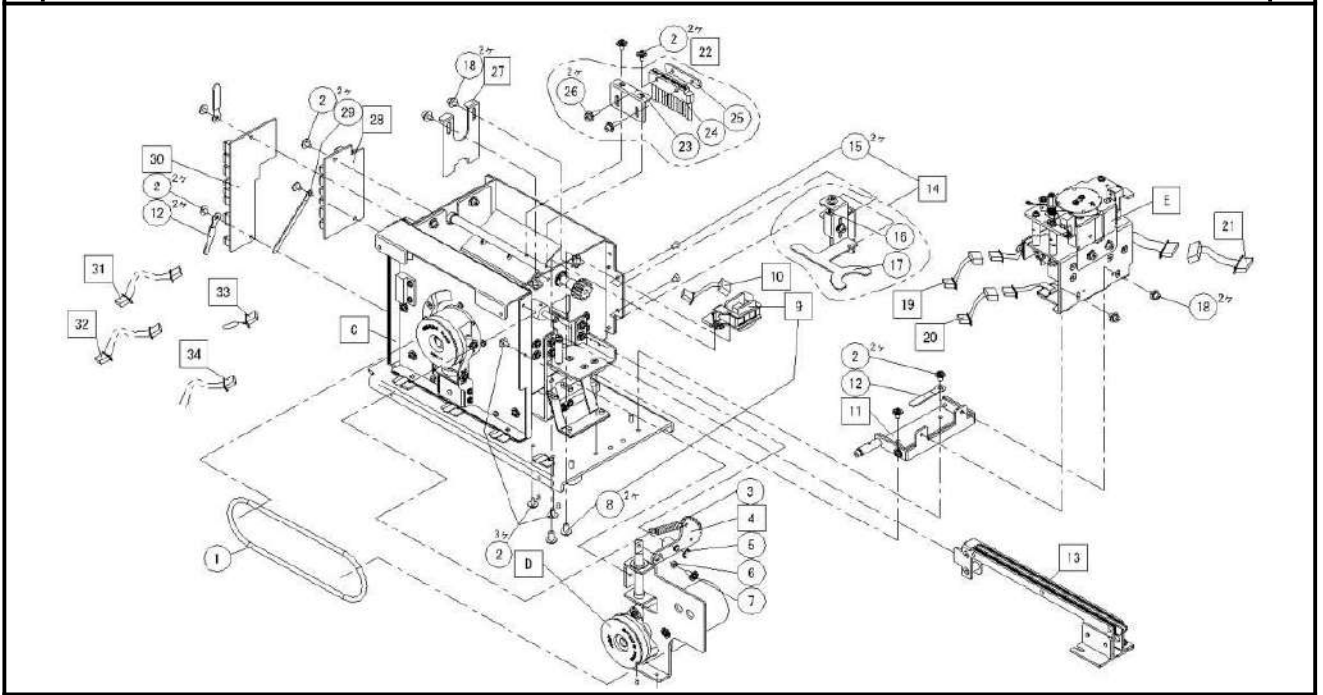


No.	Part Number	Name of Part	Q'ty used per set	Minimum q'ty packaging
B	-	Block "B" Assy	1	-
1	ZZM00363	Binding Head Tapping Screw M2.6*8 Ni (10pcs)	6	1
2	TPO11048	Front Bottom Cover Assy (With Sticker)	1	1
3	TPO00907	Front Cover Assy	1	1
4	ZZM00159	Plus Truss Head Screw M2.6*3 Ni (10pcs)	2	1
5	TPO01002#03	Front Sensor Detector LED (With Harness)	1	1
6	RTF-5010	LED Bezel	1	1
7	TPO01003#04	LED Junction Cable	1	1
8	ZZM00161	Plus Truss Head Screw M2.6*5 Ni (10pcs)	8	1
9	TPO11049	Outside Cover Assy	1	1
10	TPO01002#05	Power Switch (With Harness)	1	1
11	TPO01002#06	Power Plug (With Harness)	1	1
12	TPO00711	Upper Lid	1	1

B

[OM-26M]

B



No.	Part Number	Name of Part	Q'ty used per set	Minimum q'ty packaging
C	-	Block "C" Assy	1	-
D	TPO11031	Motor Bracket Unit	1	1
E	TPO40620#01	Escaper Unit:OM2-26M M2.0	Each Nominal	1
	TPO40620#02	Escaper Unit:OM2-26M M2.3		1
	TPO40620#03	Escaper Unit:OM2-26M M2.6		1
	TPO40620#04	Escaper Unit:OM2-26M M3.0		1
	TPO40620#05	Escaper Unit:OM2-26M M3.5		1
	TPO40620#06	Escaper Unit:OM2-26M M4.0		1
	TPO40620#07	Escaper Unit:OM2-26M M5.0		1
	TPO40620#08	Escaper Unit:OM2-26M M6.0		1
E	※2 TPO00620#01	Escaper Unit:OM-26M M2.0	Each Nominal	1
	※2 TPO00620#02	Escaper Unit:OM-26M M2.3		1
	※2 TPO00620#03	Escaper Unit:OM-26M M2.6		1
	※2 TPO00620#04	Escaper Unit:OM-26M M3.0		1
	※2 TPO00620#05	Escaper Unit:OM-26M M3.5		1
	※2 TPO00620#06	Escaper Unit:OM-26M M4.0		1
	※2 TPO00620#07	Escaper Unit:OM-26M M5.0		1
	※2 TPO00620#08	Escaper Unit:OM-26M M6.0		1
1	TEK81011	Drive Belt(φ5-285)	1	1
2	ZZM00029	Pan Head Screw PW,SW M2.6*6 (10pcs)	11	1
3	TPO00808	Extention Spring	1	1
4	NSB02058	Brush Driving Gear Large 3	1	1
5	ZZM00510	E-Type Snap Ring E-3 (10pcs)	1	1
6	TPO00409	Stainless Spacer	1	1
7	ZZM00055	Pan Head Screw PW,SW M2.6*8	1	1
8	ZZM00620	Pan Head Screw PW,SW M3*7	2	1
9	TPO11033	Solenoid Unit	1	1
10	TPO01003#15	Solenoid Junction Cable	1	1
11	TPO11034	Escaper Fixing Unit	1	1
12	CS-9	Coated Clip(10pcs)	3	1
13	※3 OMM20SET	Exchange Kit M2.0	Each Nominal	1
	※3 OMM23SET	Exchange Kit M2.3		1
	※3 OMM26SET	Exchange Kit M2.6		1
	※3 OMM30SET	Exchange Kit M3.0		1
	※3 OMM35SET	Exchange Kit M3.5		1
	※3 OMM40SET	Exchange Kit M4.0		1
	※3 OMM50SET	Exchange Kit M5.0		1
	※3 OMM60SET	Exchange Kit M6.0		1

14		TPO11035	Presser Plate Unit	1	1
15		ZZM00100	Plus Countersunk Head Screw M2.6*5 (10pcs)	2	1
16		TPO00809	Compression Spring	1	1
17		TPO00708	Presser Plate #2	1	1
18		ZZM00261	Hex. Socket Head Bolt PW,SW M2.6*5 (10pcs)	4	1
19		TPO01003#14	Sensor Junction Cable-Front Sensor	1	1
20		TPO01003#02	Sensor Junction Cable-Origin Sensor	1	1
21		TPO01003#08	Motor Junction Cable	1	1
22		TPO00908	Brush Assy	1	1
23		TPO90988	Brush Bracket	1	1
24		TPO90990	Brush	1	1
25		TPO90989	Brush Holding Plate	1	1
26		ZZM01008	Hex. Socket Head Bolt PW,SW M2.6*10 (10pcs)	2	1
27		TPO11011#01	Passing Plate:OM20-30 M2.0-3.0	Each Nominal	1
		TPO11011#02	Passing Plate:OM35-40 M3.5-4.0		1
		TPO11011#03	Passing Plate:OM50 M5.0		1
		TPO11011#04	Passing Plate:OM60 M6.0		1
28		ZPV00001#18	SPM Board For OM	1	1
29		CS-1	Coated Clip(10pcs)	1	1
30		ZPV00001#05	Main Circuit Board For OM	1	1
31		TPO01003#07	Signal Junction Cable	1	1
32		TPO01003#10	Power Junction Cable	1	1
33		TPO01003#11	Jumper Connector	1	1
34		TPO01002#18	Signal Harness	1	1

※1 Please contact us for further details.

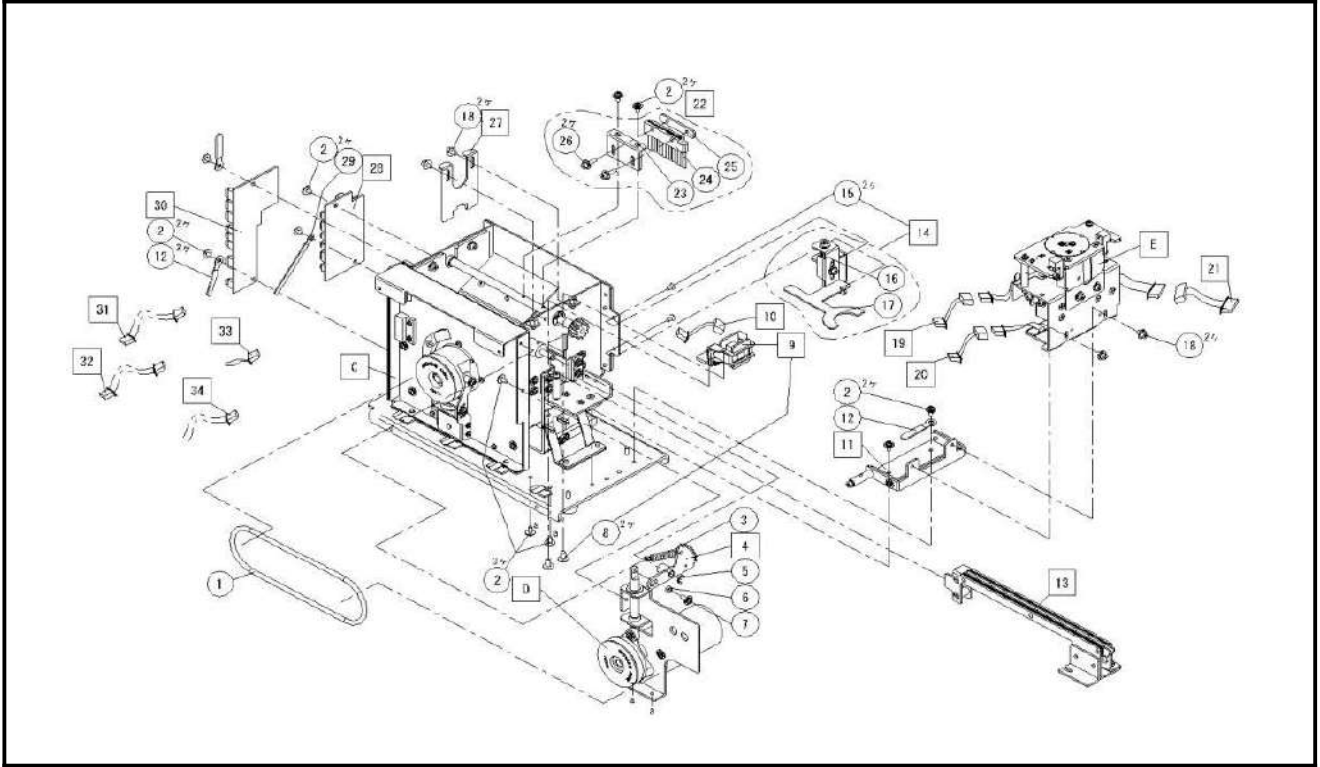
※2 Before Sept. 2017 (for 5 years).

※3 Breakdown of the Exchange Kit (Rail, Passing Plate, Escaper, Escaper Guide Right, Stopper Assy).

B

【OM-26R】

B



No.	Part Number	Name of Part	Q'ty used per set	Minimum q'ty packaging	
C	-	Block "C" Assy	1	-	
D	TPO11031	Motor Bracket Unit	1	1	
E	TPO40631#01	Escaper Unit:OM-26R(Model Mix ver) M2.0	Each Nominal	1	
	TPO40631#02	Escaper Unit:OM-26R(Model Mix ver) M2.3		1	
	TPO40631#03	Escaper Unit:OM-26R(Model Mix ver) M2.6		1	
	TPO40631#04	Escaper Unit:OM-26R(Model Mix ver) M3.0		1	
	TPO40631#05	Escaper Unit:OM-26R(Model Mix ver) M3.5		1	
	TPO40631#06	Escaper Unit:OM-26R(Model Mix ver) M4.0		1	
	TPO40631#07	Escaper Unit:OM-26R(Model Mix ver) M5.0		1	
	TPO40631#08	Escaper Unit:OM-26R(Model Mix ver) M6.0		1	
	※2	TPO00621#01	Escaper Unit:OM-26R M2.0	Each Nominal	1
	※2	TPO00621#02	Escaper Unit:OM-26R M2.3		1
	※2	TPO00621#03	Escaper Unit:OM-26R M2.6		1
	※2	TPO00621#04	Escaper Unit:OM-26R M3.0		1
	※2	TPO00621#05	Escaper Unit:OM-26R M3.5		1
	※2	TPO00621#06	Escaper Unit:OM-26R M4.0		1
※2	TPO00621#07	Escaper Unit:OM-26R M5.0	1		
※2	TPO00621#08	Escaper Unit:OM-26R M6.0	1		
1	TEK81011	Drive Belt(φ5-285)	1	1	
2	ZZM00029	Pan Head Screw PW,SW M2.6*6 (10pcs)	11	1	
3	TPO00808	Extention Spring	1	1	
4	NSB02058	Brush Driving Gear Large 3	1	1	
5	ZZM00510	E-Type Snap Ring E-3 (10pcs)	1	1	
6	TPO00409	Stainless Spacer	1	1	
7	ZZM00055	Pan Head Screw PW,SW M2.6*8	1	1	
8	ZZM00620	Pan Head Screw PW,SW M3*7	2	1	
9	TPO11033	Solenoid Unit	1	1	
10	TPO01003#15	Solenoid Junction Cable	1	1	
11	TPO11034	Escaper Fixing Unit	1	1	
12	CS-9	Coated Clip(10pcs)	3	1	
13	※3	OMR20SET	Each Nominal	1	
	※3	OMR23SET		1	
	※3	OMR26SET		1	
	※3	OMR30SET		1	
	※3	OMR35SET		1	
	※3	OMR40SET		1	

	※3	OMR50SET	Exchange Kit M5.0		1
	※3	OMR60SET	Exchange Kit M6.0		1
14		TPO11035	Presser Plate Unit	1	1
15		ZZM00100	Plus Countersunk Head Screw M2.6*5 (10pcs)	2	1
16		TPO00809	Compression Spring	1	1
17		TPO00708	Presser Plate #2	1	1
18		ZZM00261	Hex. Socket Head Bolt PW,SW M2.6*5 (10pcs)	4	1
19		TPO01003#14	Sensor Junction Cable-Front Sensor	1	1
20		TPO01003#02	Sensor Junction Cable-Origin Sensor	1	1
21		TPO01003#08	Motor Junction Cable	1	1
22		TPO00908	Brush Assy	1	1
23		TPO90988	Brush Bracket	1	1
24		TPO90990	Brush	1	1
25		TPO90989	Brush Holding Plate	1	1
26		ZZM01008	Hex. Socket Head Bolt PW,SW M2.6*10 (10pcs)	2	1
27		TPO11011#01	Passing Plate:OM20-30 M2.0-3.0	Each Nominal	1
		TPO11011#02	Passing Plate:OM35-40 M3.5-4.0		1
		TPO11011#03	Passing Plate:OM50 M5.0		1
		TPO11011#04	Passing Plate:OM60 M6.0		1
28		ZPV00001#18	SPM Board For OM	1	1
29		CS-1	Coated Clip(10pcs)	1	1
30		ZPV00001#05	Main Circuit Board For OM	1	1
31		TPO01003#07	Signal Junction Cable	1	1
32		TPO01003#10	Power Junction Cable	1	1
33		TPO01003#11	Jumper Connector	1	1
34		TPO01002#18	Signal Harness	1	1

※1 Please contact us for further details.

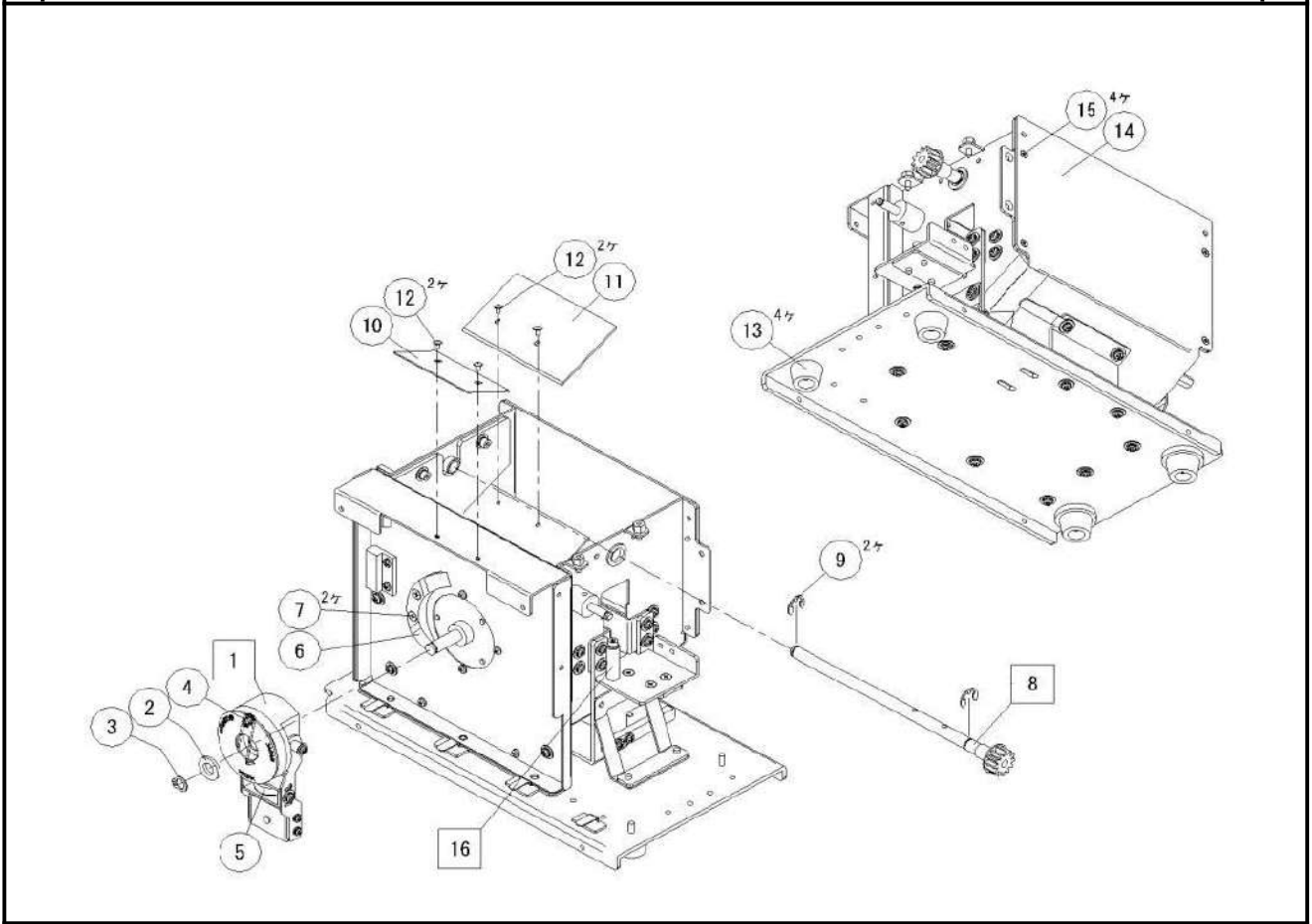
※2 Before Sept. 2017 (for 5 years).

※3 Breakdown of the Exchange Kit(Rail, Passing Plate, Escaper, Escaper Guide Right, Stopper Assy).

C

【OM-26M】 <<OM-26R>>

C

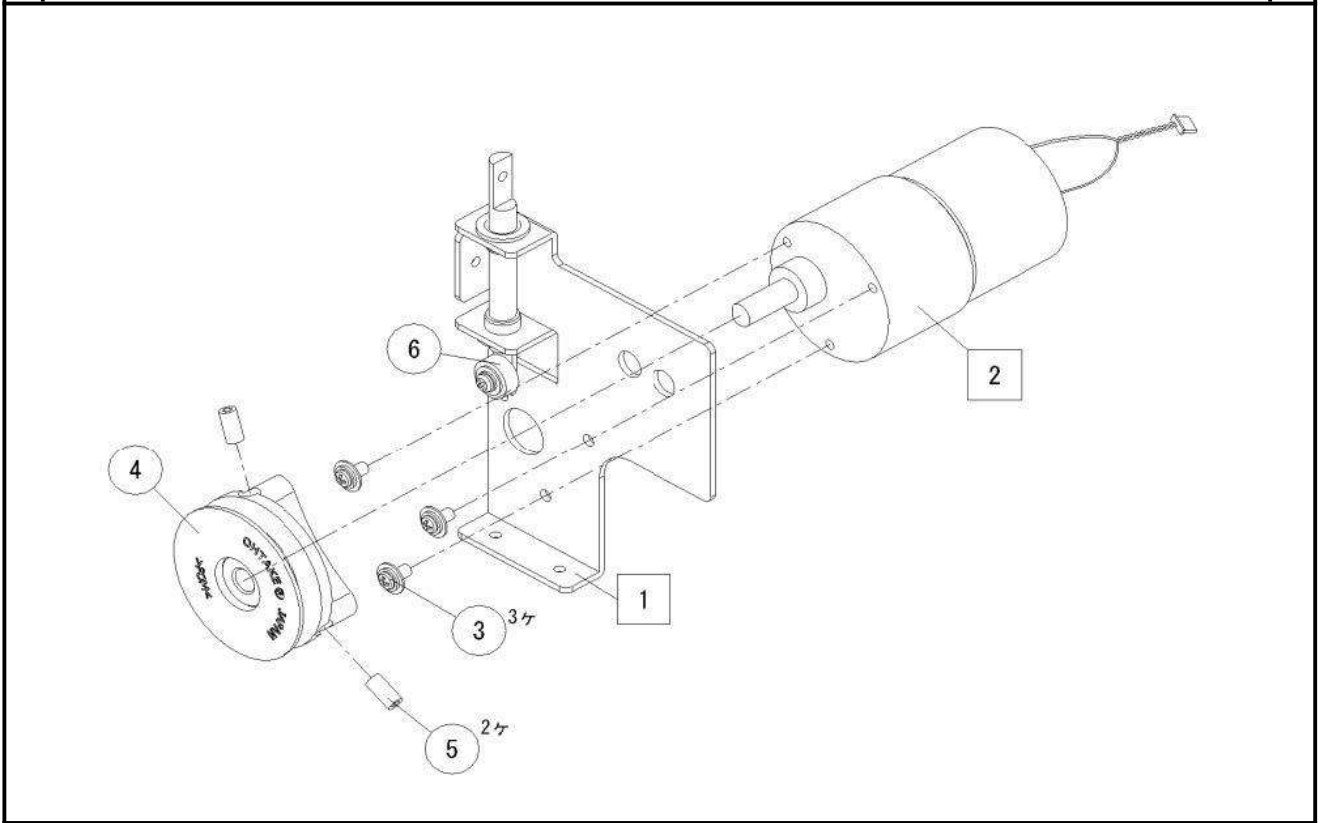


No.	Part Number	Name of Part	Q'ty used per set	Minimum q'ty packaging
1				
2	ZZM00397	Plain Washer M6 (10pcs)	1	1
3	ZZM00536	C-Type Snap Ring Nominal 6 (10pcs)	1	1
4	TPO00407	Magnetic Arm Spring	1	1
5	TPO00508	Roller Arm: Press-fit	1	1
6	TPO00461	Separating Rail	1	1
7	ZZM00102	Plus Countersunk Head Screw M2.6*8 (10pcs)	2	1
8	TPO11039	Brush Shaft Assy	1	1
9	ZZM00512	E-Type Snap Ring E-5 (10pcs)	2	1
10	TPO11310	Scraper Left (t1.0)	1	1
11	TPO91202	Scraper Right	1	1
12	ZZM00157	Plus Truss Head Screw M2*3 Ni (10pcs)	4	1
13	K5W	Rubber Foot	4	1
14	TPO00701	Right Wall 5	1	1
15	ZZM00120	Plus Countersunk Head Screw M2*4,Ni Plating,Looseness Prevention (10pcs)	4	1
16	TPO00904	Fixing Bolt	1	1

D

【OM-26M】 ‹‹OM-26R››

D

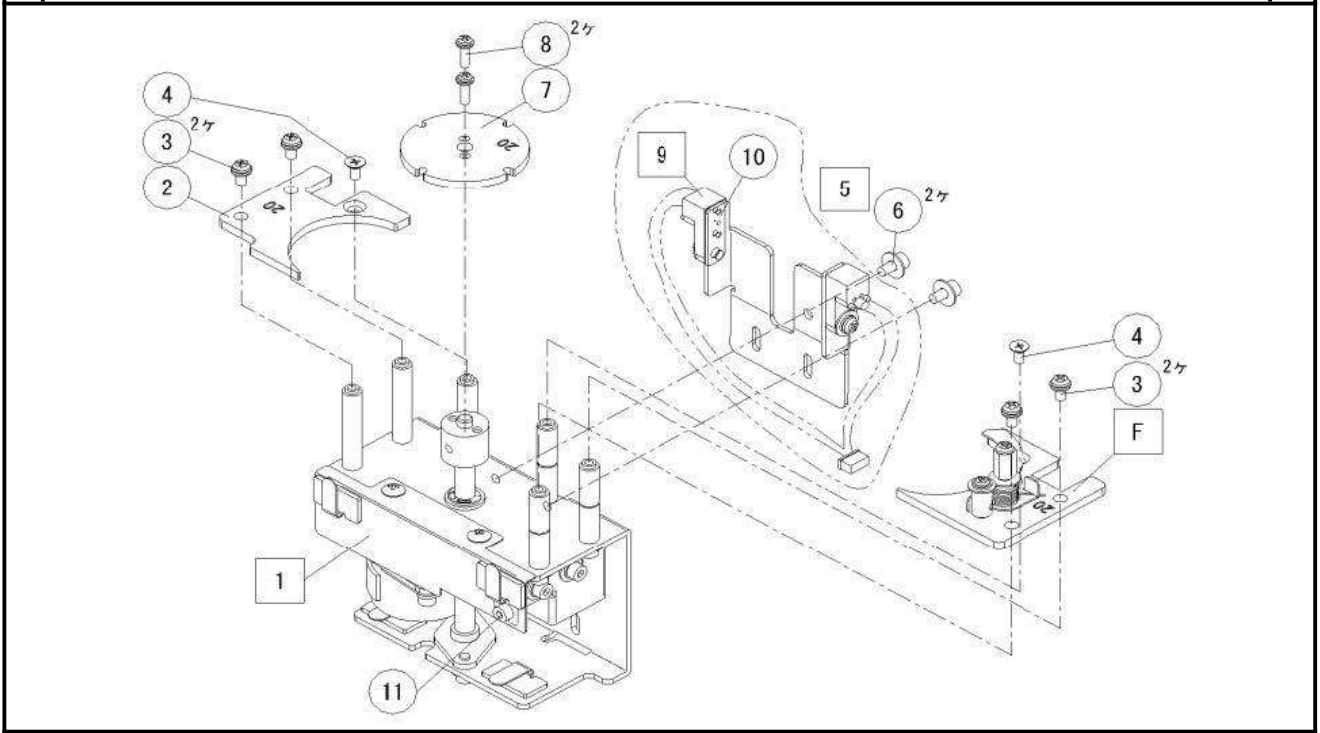


No.	Part Number	Name of Part	Q'ty used per set	Minimum q'ty packaging
1	TPO11040	Motor Bracket (With Shaft)	1	1
2	TPO01002#17	Main Motor (With Harness)	1	1
3	ZZM00620	Pan Head Screw PW,SW M3*7	3	1
4	TPO00509	Driving Pulley	1	1
5	ZZM00388	Hex. Socket Head Screw M4*8	2	1
6	TPO90982	Roller: Brush Driving Shaft	1	1

E

【OM-26M】

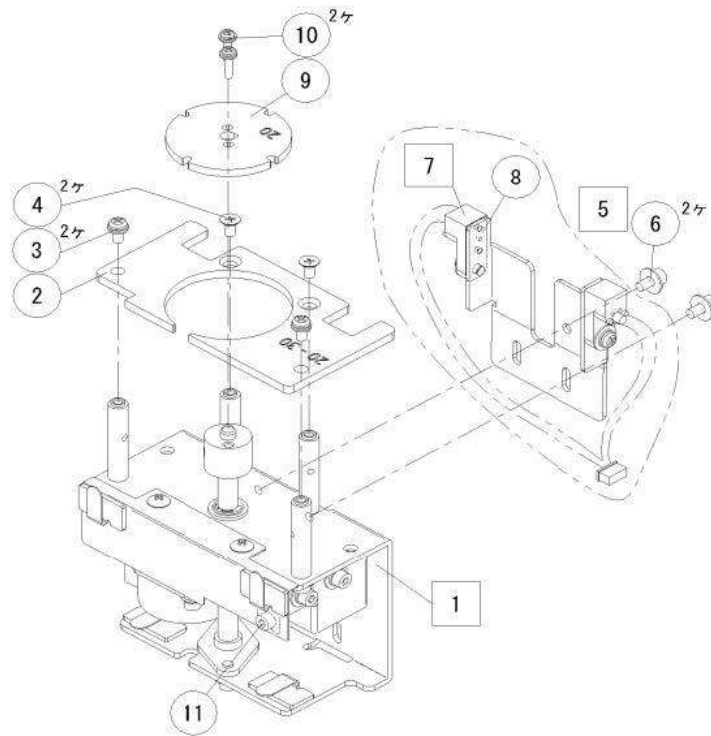
E



No.	Part Number	Name of Part	Q'ty used per set	Minimum q'ty packaging
F	TPO20806#05	Stopper Assy M2.0:SIES20	Each Nominal	1
	TPO20806#06	Stopper Assy M2.3:SIES23		1
	TPO20806#07	Stopper Assy M2.6:SIES26		1
	TPO20806#08	Stopper Assy M3.0:SIES30		1
	TPO20806#09	Stopper Assy M3.5:SIES35		1
	TPO20806#10	Stopper Assy M4.0:SIES40		1
	TPO20806#11	Stopper Assy M5.0:SIES50		1
	TPO20806#12	Stopper Assy M6.0:SIES60		1
1	TPO40622	Escaper Driving Unit:OM2-26M	1	1
	※2 TPO00618	Escaper Driving Unit(M)	1	1
2	TPO00608#05	Escaper Guide Right M2.0:SIEM20	Each Nominal	1
	TPO00608#06	Escaper Guide Right M2.3:SIEM23		1
	TPO00608#07	Escaper Guide Right M2.6:SIEM26		1
	TPO00608#08	Escaper Guide Right M3.0:SIEM30		1
	TPO00608#09	Escaper Guide Right M3.5:SIEM35		1
	TPO00608#10	Escaper Guide Right M4.0:SIEM40		1
	TPO00608#11	Escaper Guide Right M5.0:SIEM50		1
	TPO00608#12	Escaper Guide Right M6.0:SIEM60		1
3	ZZM00060	Pan Head Screw PW(s),SW M2.6*5 (10pcs)	4	1
4	ZZM00614	Plus Countersunk Head Screw M2.6*5,Nylok (10pcs)	2	1
5	TPO00622	Front Sensor Unit	1	1
6	ZZM00261	Hex. Socket Head Bolt PW,SW M2.6*5 (10pcs)	2	1
7	TPO00604#05	Escaper:M2.0 SIE20	Each Nominal	1
	TPO00604#06	Escaper:M2.3 SIE23		1
	TPO00604#07	Escaper:M2.6 SIE26		1
	TPO00604#08	Escaper:M3.0 SIE30		1
	TPO00604#09	Escaper:M3.5 SIE35		1
	TPO00604#10	Escaper:M4.0 SIE40		1
	TPO00604#11	Escaper:M5.0 SIE50		1
	TPO00604#12	Escaper:M6.0 SIE60		1
8	ZZM00071	Pan Head Screw PW(s),SW M2*8 Ni (10pcs)	2	1
9	TPO1002#13	Front Sensor (With Harness)	1	1
10	NSR08621	Light Receiver Slit Plate	1	1
11	NSB02125	Adjusting Screw	1	1

※2 Before Sept. 2017 (for 5 years).

E **【OM-26R】** E



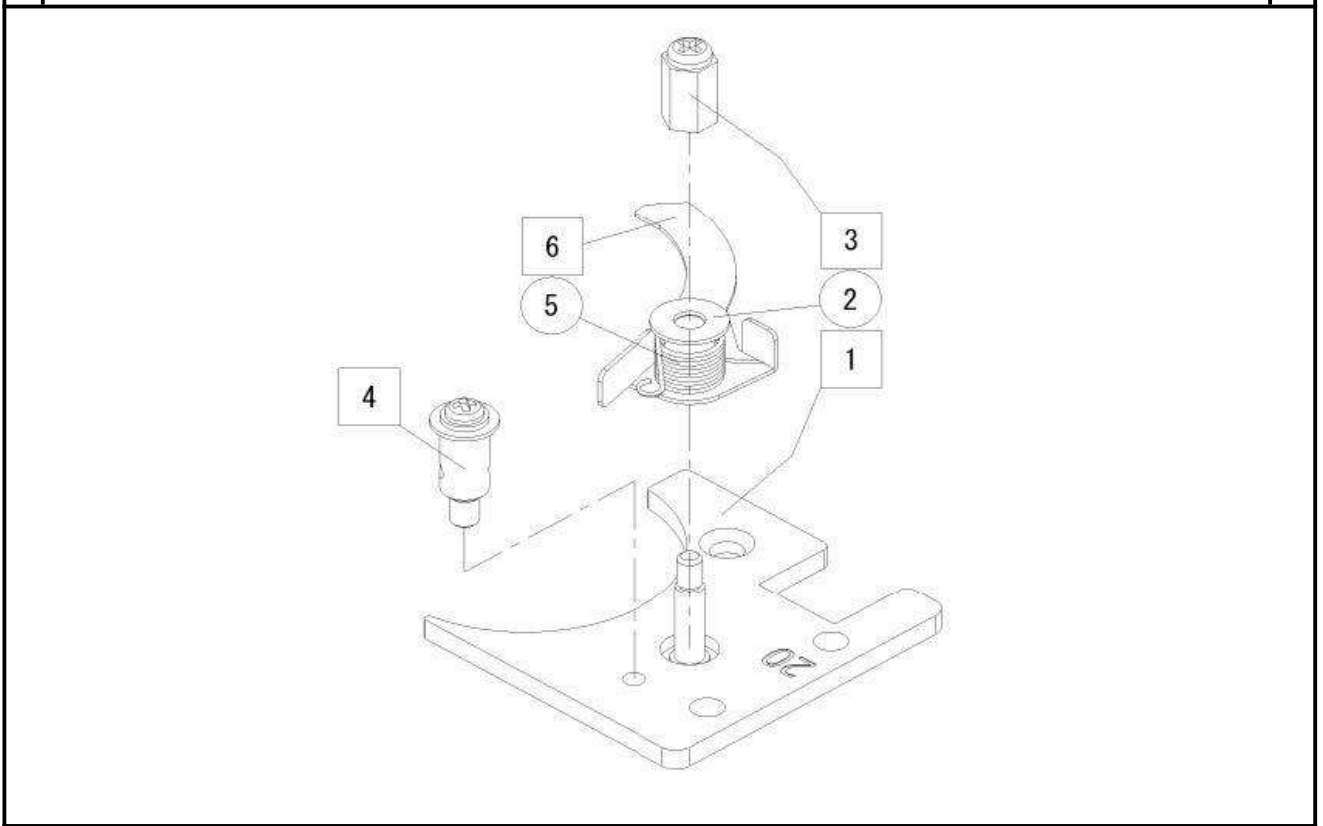
No.	Part Number	Name of Part	Q'ty used per set	Minimum q'ty packaging
1	TPO40633	Escaper Driving Unit:OM-26R(Model Mix ver)	1	1
	※2 TPO00619	Escaper Driving Unit(R)	1	1
2	TPO00610#02	Escaper Guide for Robot M2.0-3.0:SIER20-30	Each Nominal	1
	TPO00610#03	Escaper Guide for Robot M3.5-4.0:SIER35-40		1
	TPO00610#04	Escaper Guide for Robot M5.0-6.0:SIER50-60		1
3	ZZM00060	Pan Head Screw PW(s),SW M2.6*5 (10pcs)	2	1
4	ZZM00614	Plus Countersunk Head Screw M2.6*5.Nvlok (10pcs)	2	1
5	TPO00622	Front Sensor Unit	1	1
6	ZZM00261	Hex. Socket Head Bolt PW,SW M2.6*5 (10pcs)	2	1
7	TPO01002#13	Front Sensor (With Harness)	1	1
8	NSR08621	Light Receiver Slit Plate	1	1
9	TPO00604#05	Escaper:M2.0 SIE20	Each Nominal	1
	TPO00604#06	Escaper:M2.3 SIE23		1
	TPO00604#07	Escaper:M2.6 SIE26		1
	TPO00604#08	Escaper:M3.0 SIE30		1
	TPO00604#09	Escaper:M3.5 SIE35		1
	TPO00604#10	Escaper:M4.0 SIE40		1
	TPO00604#11	Escaper:M5.0 SIE50		1
TPO00604#12	Escaper:M6.0 SIE60	1		
10	ZZM00071	Pan Head Screw PW(s),SW M2*8 Ni (10pcs)	2	1
11	NSB02125	Adjusting Screw	1	1

※2 Before Sept. 2017 (for 5 years).

F

【OM-26M】

F



No.	Part Number	Name of Part	Q'ty used per set	Minimum q'ty packaging
1	TPO20812#05	Escaper Guide Left(With Flange):M2.0	Each Nominal	1
	TPO20812#06	Escaper Guide Left(With Flange):M2.3		1
	TPO20812#07	Escaper Guide Left(With Flange):M2.6		1
	TPO20812#08	Escaper Guide Left(With Flange):M3.0		1
	TPO20812#09	Escaper Guide Left(With Flange):M3.5		1
	TPO20812#10	Escaper Guide Left(With Flange):M4.0		1
	TPO20812#11	Escaper Guide Left(With Flange):M5.0		1
	TPO20812#12	Escaper Guide Left(With Flange):M6.0	1	
2	ZZM00394	Plain Washer M3 (10pcs)	1	1
3	TPO20804	E-Stopper Spring Stopping Screw Assy	1	1
4	TPO20803	E-Stopper Spring Holding Assy	1	1
5	TPO91101	E-Stopper Spring	1	1
6	TPO00512	E-Stopper	1	1

ACCESSORIES

No.	Part Number	Name of Part	Q'ty used per set	Minimum q'ty packaging
1	UNI315-1510(PSE)	UNI315-1510 AC Adapter DC15V with PSE Cord	Anyone	1
	UI315-15(CCC)	UI315-15 AC Adapter DC15V with CCC Cord		1
	UI315-15(KC)	UI315-15 AC Adapter DC15V with KC Cord		1
	UNI315-1510(UL)	UNI315-1510 AC Adapter DC15V with UL Cord		1
	※4 UNI315-1510(CE)	UNI315-1510 AC Adapter DC15V with CE Cord		1
2	WRENCH-M2.0	Allen Wrench	1	1
3	NSN08201	Driver	1	1
4	TPO21202	Ground Wire	1	1
5	OMM1MA02	Operation Manual OM-26M Series	1	1
	OMR1MA02	Operation Manual OM-26R Series	1	1
	※5 OMM1MA01	Operation Manual OM-26M Series	1	1
	※5 OMR1MA01	Operation Manual OM-26R Series	1	1

※4 The AC adapter uses CE certified products.

※5 Before Sept. 2017 (Please download from our homepage).

