



## Parts list & exploded view

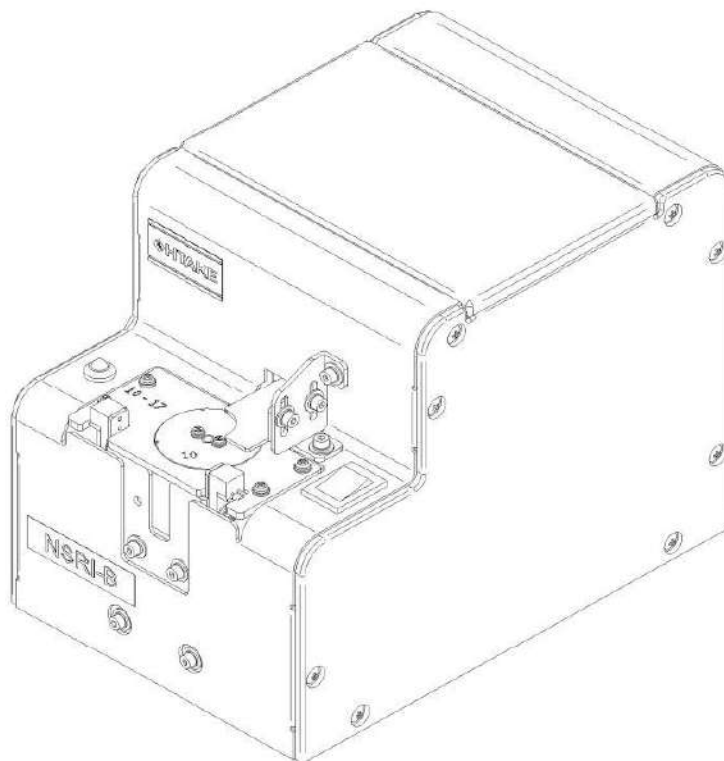
**OHTAKE****NSRI-B****OHTAKE automatic screw feeder NEJIKURA****NSRI-10B / NSRI-12B / NSRI-14B / NSRI-17B series****NSRI-20B / NSRI-23B / NSRI-26B / NSRI-30B series**

© DOGA DOC.60478.10/22

### IMPORTANT

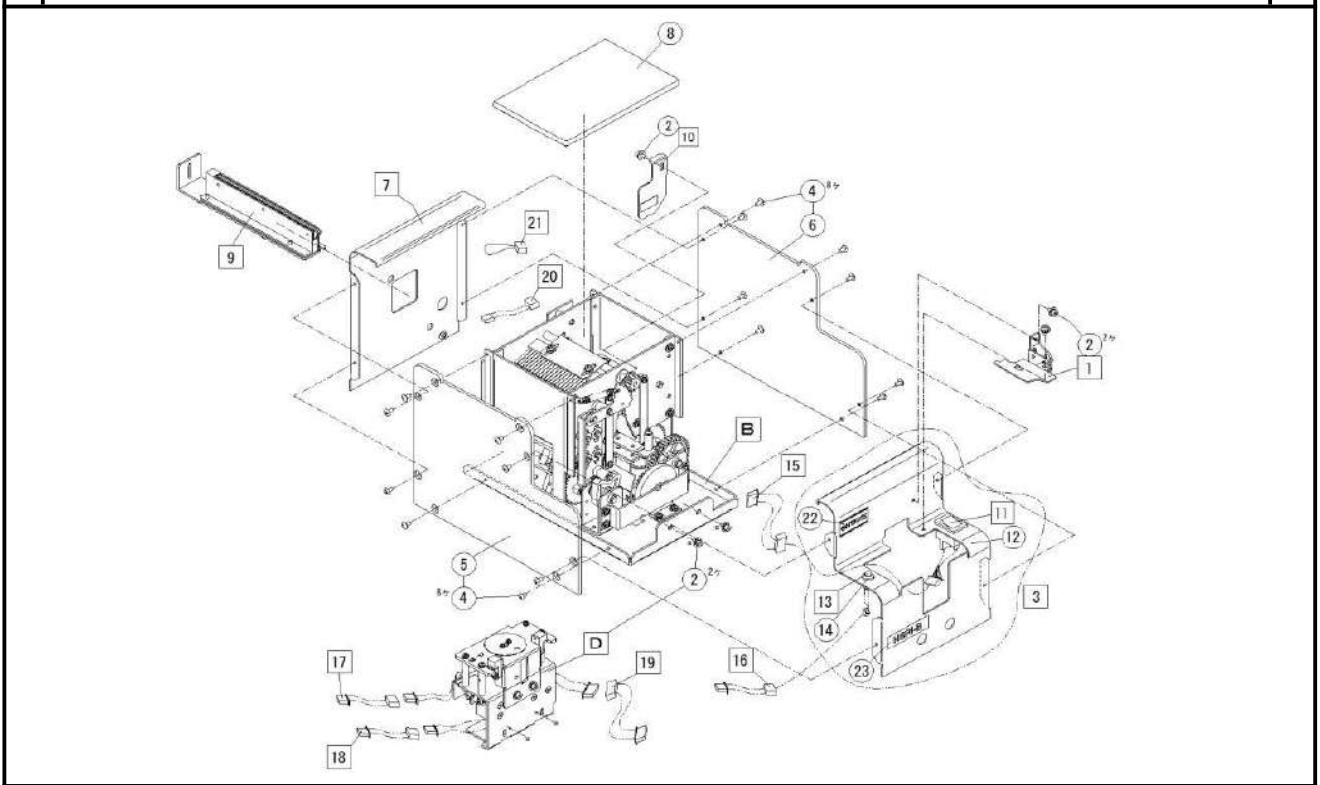
- Parts would be delivered in the minimum order quantity base.
- Some components are supplied only as assemblies.
- The components assembly might be reviewed without any notice.
- The minimum order quantities are indicated in the item descriptions.
- Any variations and upgrades in the designs of the product change without notice.

### OVERVIEW



A

A



No.	Part Number	Name of Part	Q'ty used per set	Minimum q'ty packaging
B	-	Block "B" Assy	1	-
D	NSIR7200#01	Escaper Unit: NSRI2 M1.0	Each Nominal	1
	NSIR7200#02	Escaper Unit: NSRI2 M1.2		1
	NSIR7200#03	Escaper Unit: NSRI2 M1.4		1
	NSIR7200#04	Escaper Unit: NSRI2 M1.7		1
	NSIR7200#05	Escaper Unit: NSRI2 M2.0		1
	NSIR7200#06	Escaper Unit: NSRI2 M2.3		1
	NSIR7200#07	Escaper Unit: NSRI2 M2.6		1
	NSIR7200#08	Escaper Unit: NSRI2 M3.0		1
1	NSIR6105	Presser Plate Assy	1	1
2	ZZM00261	Hex. Socket Head Bolt PW.SW M2.6*5 (10pcs)	5	1
3	NSIR7404	Front Cover Assy (With Sticker)	1	1
4	ZZM00161	Plus Truss Head Screw M2.6*5 Ni (10pcs)	16	1
5	NSIR7412	Left Cover (OHTAKE Blue)	1	1
6	NSIR7413	Right Cover (OHTAKE Blue)	1	1
7	NSIR7406	Rear Cover Assy	1	1
8	NSB07111	Upper Cover	1	1
9	※2 RI10SET2	Exchange Kit M1.0	Each Nominal	1
	※2 RI12SET2	Exchange Kit M1.2		1
	※2 RI14SET2	Exchange Kit M1.4		1
	※2 RI17SET2	Exchange Kit M1.7		1
	※2 RI20SET2	Exchange Kit M2.0		1
	※2 RI23SET2	Exchange Kit M2.3		1
	※2 RI26SET2	Exchange Kit M2.6		1
	※2 RI30SET2	Exchange Kit M3.0		1
10	NSB02052#01	Passing Plate: SW1017(M1.0-M1.7)	Each Nominal	1
	NSB02052#02	Passing Plate: SW2030(M2.0-M3.0)		1
11	NSIR9105#05	Power Switch (With Harness)	1	1
12	NSIR7411	Front Cover: B Type	1	1
13	NSIR9105#03	Front Sensor Detector LED (With Harness)	1	1
14	RTF-5010	LED Bezel	1	1
15	NSIR9104#06	Switch Junction Cable	1	1
16	NSIR9104#04	LED Junction Cable	1	1
17	NSIR9104#14	Sensor Junction Cable-Front Sensor	1	1
18	NSIR9104#02	Sensor Junction Cable-Origin Sensor	1	1
19	NSIR9104#09	Motor Junction Cable	1	1

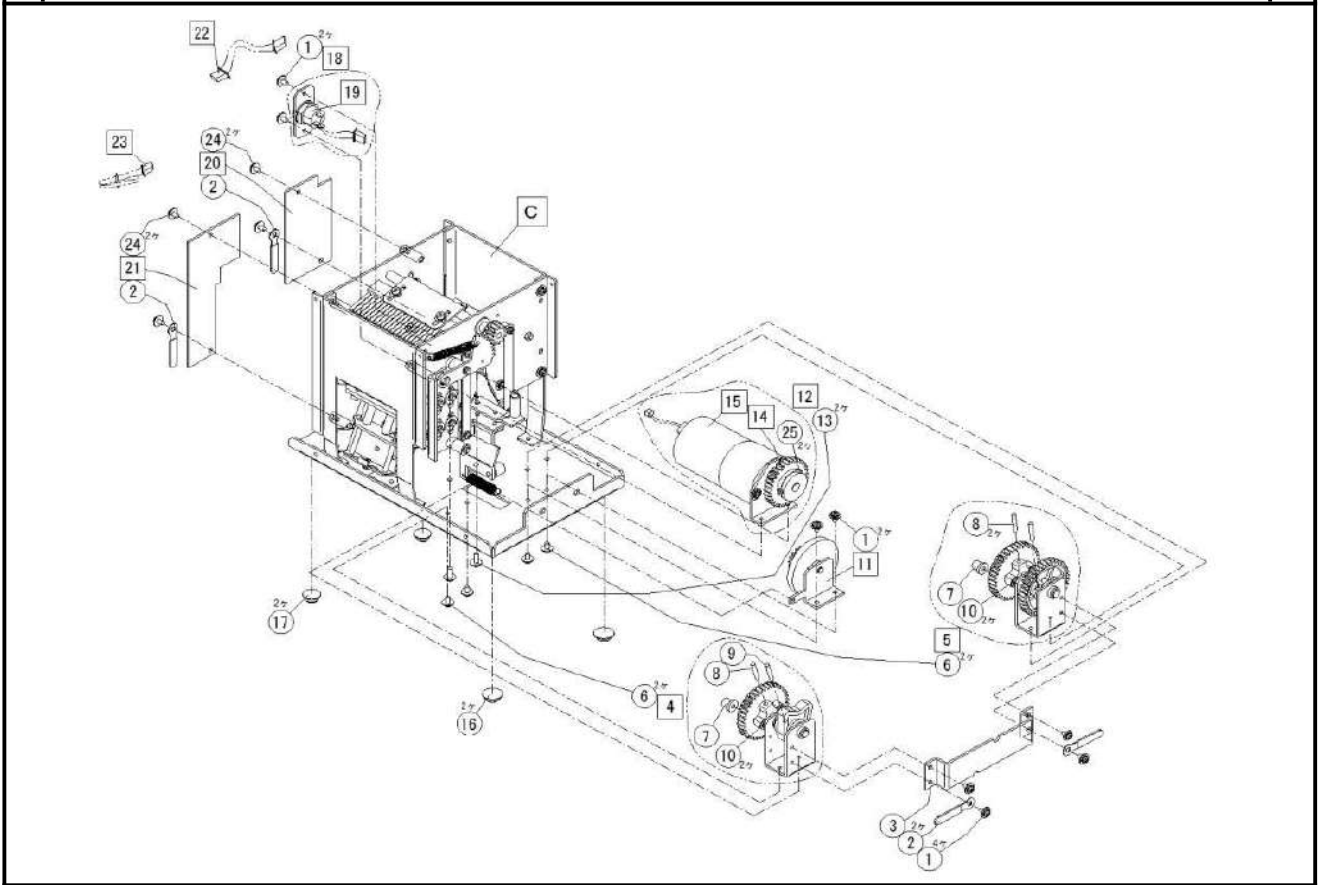
20		NSIR9104#11	Power Junction Cable	1	1
21		NSIR9104#12	Jumper Connector	1	1
22		ZDE00001	Logo Sticker	1	1
23		NSIR7409	Sticker:NSRI-B	1	1

※1 Please contact us for further details.

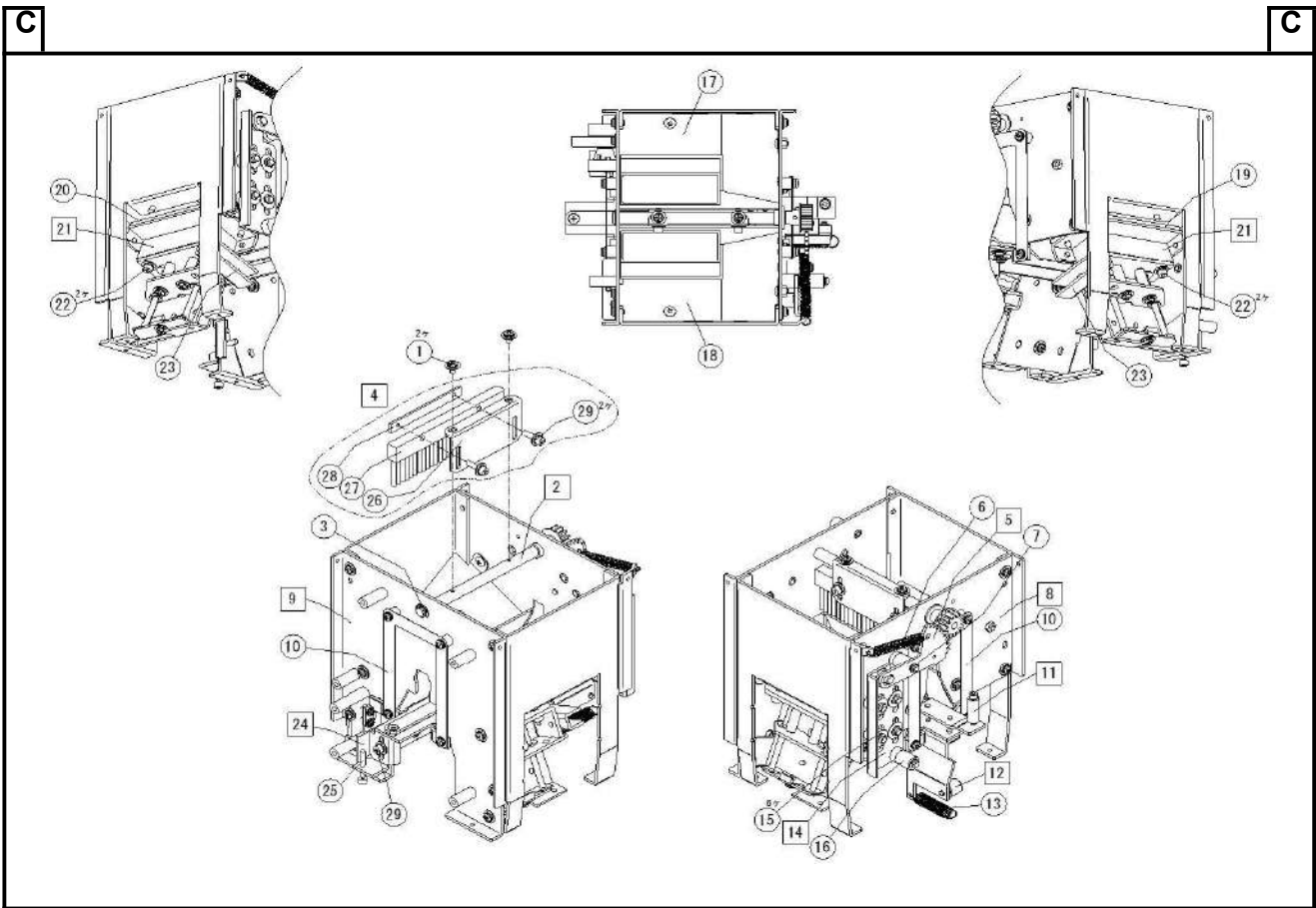
※2 Breakdown of the Exchange Kit (Rail,Passing Plate,Escaper,Escaper Guide for Robot).

B

B



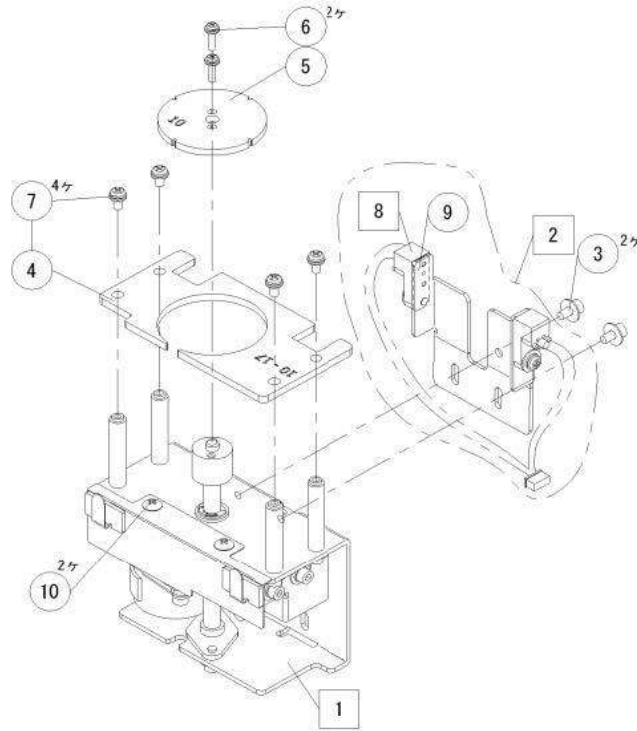
No.	Part Number	Name of Part	Q'ty used per set	Minimum q'ty packaging
C	-	Hopper Unit: NSBI	1	-
1	ZZM00028	Pan Head Screw PW,SW M2.6*5 (10pcs)	8	1
2	CS-9	Coated Clip(10pcs)	4	1
3	NSIB3101	Driving Shaft Bracket Supporter	1	1
4	NSB03053	Driving Shaft Bracket Assy Left	1	1
5	NSB03054	Driving Shaft Bracket Assy Right	1	1
		Pan Head Screw PW,SW M2.6*5		
7	NSB03107	Driving Roller	2	1
8	ZZM00560	Spring Pin 2.5*20 (10pcs)	3	1
9	ZZM00558	Spring Pin 2.5*14 (10pcs)	1	1
10	ZZM00034	Pan Head Screw PW,SW M2.6*16 (10pcs)	4	1
11	NSB03055	Vibration Cam Assy	1	1
12	NSIR7403	Main Motor Unit: NSRI-B	1	1
13	ZZM00030	Pan Head Screw PW,SW M2.6*8 (10pcs)	2	1
14	NJ04013	Driving Gear #1	1	1
15	G37DHC3420B01	Brushless Motor (With Harness)	1	1
16	TM-166-12	Bumper	2	1
17	TM-166-3	Bumper	2	1
18	NSIB7118	DC Jack Assy	1	1
19	NSIR9105#07	Power Plug (With Harness)	1	1
20	ZPV00001#21	SPM Board For NSRI-B	1	1
21	ZPV00001#09	Main Circuit Board For NSRI-B	1	1
22	NSIR9104#08	Signal Junction Cable	1	1
23	NSIR9104#16	Signal Harness	1	1
24	ZZM00029	Pan Head Screw PW,SW M2.6*6 (10pcs)	4	1
25	ZZM00388	Hex. Socket Head Screw M4*8 Loosening Prevention (10pcs)	2	1



No.	Part Number	Name of Part	Q'ty used per set	Minimum q'ty packaging
1	ZZM00028	Pan Head Screw PW,SW M2.6*5 (10pcs)	2	1
2	NSB02055	Brush Shaft Assy	1	1
3	ZZM00512	E-Type Snap Ring E-5 (10pcs)	1	1
4	NSB02053#01	Brush Assy (Standard)	1	1
	NSB02053#02	Brush Assy (Hard)(Option)	(1)	1
5	NSB02058	Brush Driving Gear Large 3	1	1
6	NSB02127	Extension Spring	1	1
7	ZZM00510	E-Type Snap Ring E-3 (10pcs)	1	1
8	NSB02051#02	Front Hopper Wall	1	1
9	NSIB2051	Rear Hopper Wall	1	1
10	NSB02116#01	Vibration Plate	2	1
11	NSB04053	Rail Holder Fixing Bolt	1	1
12	NJ03032	Vibration Roller	1	1
13	NSB04120	Vibration Spring	1	1
14	NSB02054	Brush Driving Plate Assy	1	1
15	NSB02128	Polyslider (10pcs)	8	1
16	NSB02108	Brush Driving Plate Roller	1	1
17	NSB02122	Inclined Plate Right	1	1
18	NSB02123	Inclined Plate Left	1	1
19	NSB01123	Inclined Plate Holder Right	1	1
20	NSB01122	Inclined Plate Holder Left	1	1
21	NSB01054	Hopper Block Assy	2	1
22	ZZM01009	Hex. Socket Head Bolt PW,SW M2.6*12 (10pcs)	4	1
23	NSB01108	Driving Holder Slit Plate	2	1
24	NSR02056	Vibration Adjusting Plate Assy	1	1
25	NSB02125	Adjusting Screw	1	1
26	NSB02111	Brush Bracket #1	1	1
27	NSB02110#01	Brush (Standard)	1	1
	NSB02110#02	Brush (Hard)(Option)	(1)	1
28	NSB02112	Brush Bracket #2	1	1
29	ZZM01008	Hex. Socket Head Bolt PW,SW M2.6*10 (10pcs)	3	1

D

D



No.	Part Number	Name of Part	Q'ty used per set	Minimum q'ty packaging
1	NSIR7201	Escaper Driving Unit: NSRI2	1	1
2	NSIB7114	Front Sensor Assy	1	1
3	ZZM00261	Hex. Socket Head Bolt PW, SW M2.6*5 (10pcs)	2	1
4	TPO40615#01	Escaper Guide 2 for Robot: M1.0-1.7 SIE2R10-17	Each	1
	TPO40615#02	Escaper Guide 2 for Robot: M2.0-3.0 SIE2R20-30		1
5	TPO00604#01	Escaper: M1.0 SIE10	Each Nominal	1
	TPO00604#02	Escaper: M1.2 SIE12		1
	TPO00604#03	Escaper: M1.4 SIE14		1
	TPO00604#04	Escaper: M1.7 SIE17		1
	TPO00604#05	Escaper: M2.0 SIE20		1
	TPO00604#06	Escaper: M2.3 SIE23		1
	TPO00604#07	Escaper: M2.6 SIE26		1
	TPO00604#08	Escaper: M3.0 SIE30	1	
6	ZZM00071	Pan Head Screw PW(s), SW M2*8 Ni (10pcs)	2	1
7	ZZM00060	Pan Head Screw PW(s), SW M2.6*5 (10pcs)	4	1
8	NSIR9105#13	Front Sensor (With Harness)	1	1
9	NSR08621	Light Receiver Slit Plate	1	1
10	ZZM00159	Plus Truss Head Screw M2.6*3 Ni (10pcs)	2	1

## ACCESSORIES

No.	Part Number	Name of Part	Q'ty used per set	Minimum q'ty packaging
1	UNI315-1510(PSE)	UNI315-1510 AC Adapter DC15V with PSE Cord	Anyone	1
	UI315-15(CCC)	UI315-15 AC Adapter DC15V with CCC Cord		1
	UI315-15(KC)	UI315-15 AC Adapter DC15V with KC Cord		1
	UNI315-1510(UL)	UNI315-1510 AC Adapter DC15V with UL Cord		1
	※3 UNI315-1510(CE)	UNI315-1510 AC Adapter DC15V with CE Cord		1
2	WRENCH-M2.0	Allen Wrench	1	1
3	NSN08201	Driver	1	1
4	TPO21202	Ground Wire	1	1
5	NSRI-BMA1	Operation Manual NSRI-B Series	1	1

※3 The AC adapter uses CE certified products.

