



## Parts list & exploded view

**OHTAKE automatic screw feeder NEJIKURA**

**NSR-10 / NSR-12 / NSR-14 / NSR-17 series**

**NSR-20 / NSR-23 / NSR-26 / NSR-30 series**

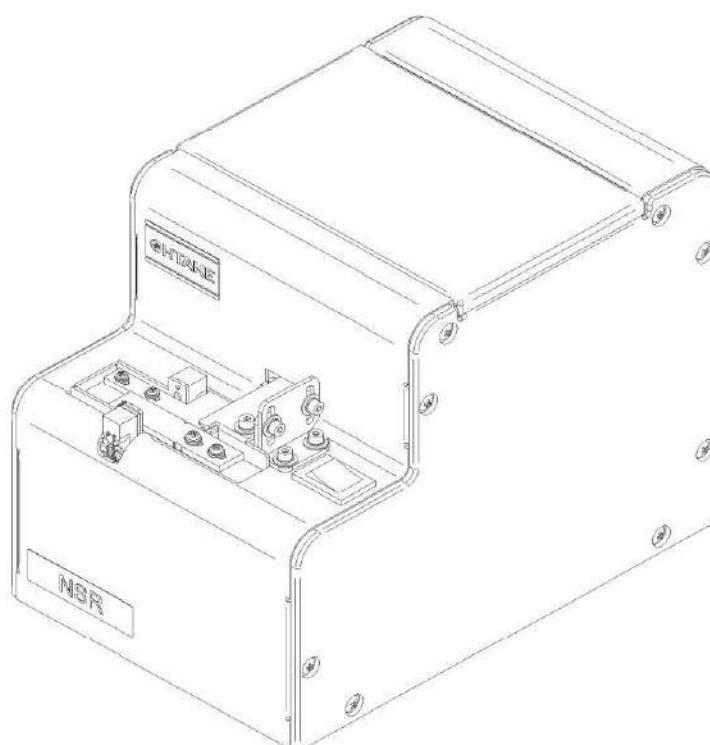
**OHTAKE****NSR**

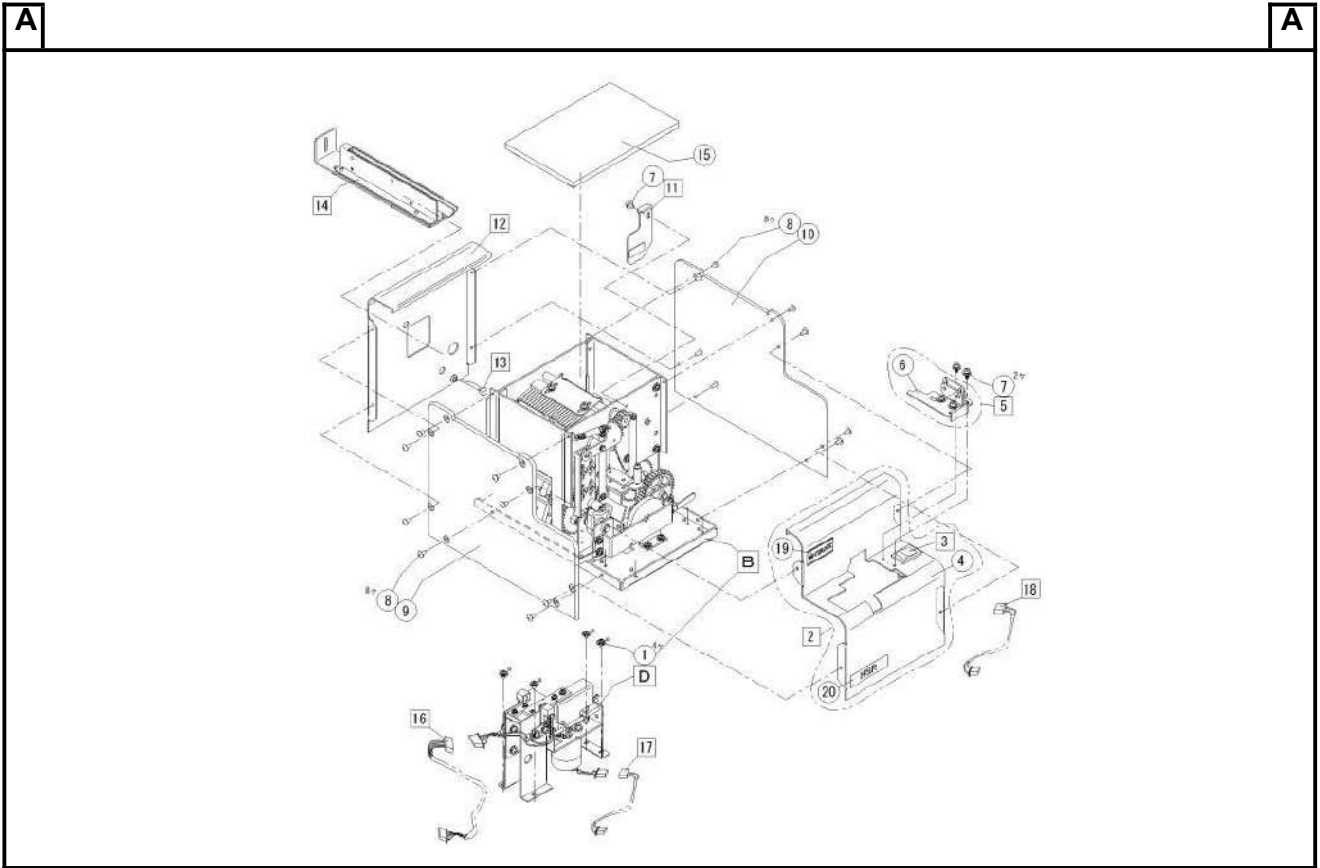
© DOGA DOC.60477.10/22

### IMPORTANT

- Parts would be delivered in the minimum order quantity base.
- Some components are supplied only as assemblies.
- The components assembly might be reviewed without any notice.
- The minimum order quantities are indicated in the item descriptions.
- Any variations and upgrades in the designs of the product change without notice.

### OVERVIEW





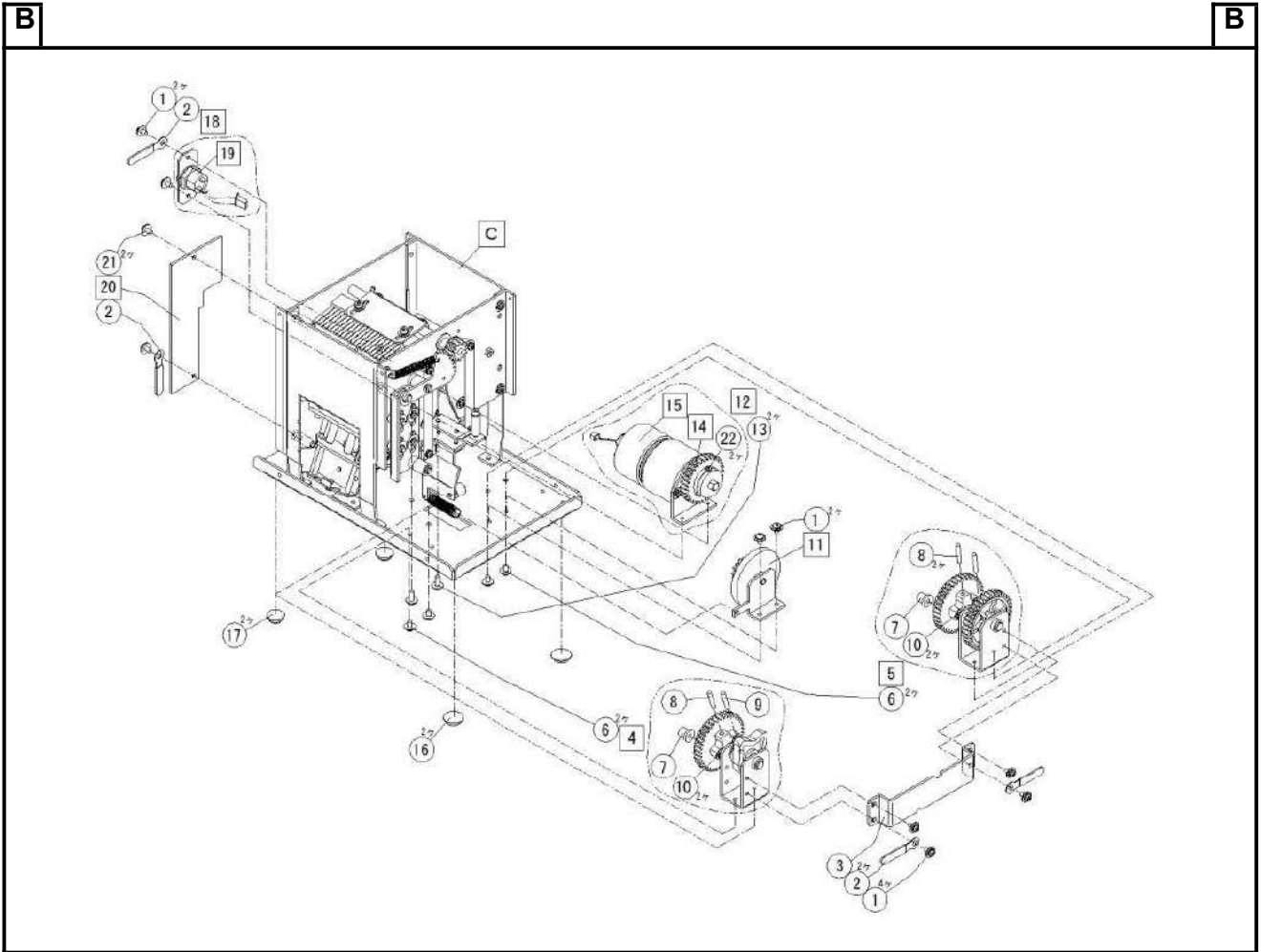
No.	Part Number	Name of Part	Q'ty used per set	Minimum q'ty packaging	
B	-	Main Unit:NSR(Model Mix ver)	1	-	
D	NSR08004#01	Escaper Unit:NSR (C) M1.0	Each Nominal	1	
	NSR08004#02	Escaper Unit:NSR (C) M1.2		1	
	NSR08004#03	Escaper Unit:NSR (C) M1.4		1	
	NSR08004#04	Escaper Unit:NSR (C) M1.7		1	
	NSR08004#05	Escaper Unit:NSR (C) M2.0		1	
	NSR08004#06	Escaper Unit:NSR (C) M2.3		1	
	NSR08004#07	Escaper Unit:NSR (C) M2.6		1	
	NSR08004#08	Escaper Unit:NSR (C) M3.0		1	
	※2	NSR08001#01	Escaper Unit:NSR M1.0	Each Nominal	1
	※2	NSR08001#02	Escaper Unit:NSR M1.2		1
	※2	NSR08001#03	Escaper Unit:NSR M1.4		1
	※2	NSR08001#04	Escaper Unit:NSR M1.7		1
	※2	NSR08001#05	Escaper Unit:NSR M2.0		1
	※2	NSR08001#06	Escaper Unit:NSR M2.3		1
	※2	NSR08001#07	Escaper Unit:NSR M2.6		1
	※2	NSR08001#08	Escaper Unit:NSR M3.0		1
1	ZZM00028	Pan Head Screw PW,SW M2.6*5 (10pcs)	4	1	
2	NSR07016	Front Cover Assy (With Sticker)	1	1	
3	NSR09682#03	Power Switch (With Harness)	1	1	
4	NSR07601	Front Cover:E Type	1	1	
5	NSR06004	Presser Plate Unit:NSR	1	1	
6	NSR06601	Presser Plate:E Type	1	1	
7	ZZM00261	Hex. Socket Head Bolt PW,SW M2.6*5 (10pcs)	3	1	
8	ZZM00161	Plus Truss Head Screw M2.6*5 Ni (10pcs)	16	1	
9	NSR07604#01	Left Side Cover	1	1	
10	NSR07605#01	Right Side Cover	1	1	
11	NSB02052#01	Passing Plate:SW1017(M1.0-M1.7)	Each Nominal	1	
	NSB02052#02	Passing Plate:SW2030(M2.0-M3.0)		1	
12	NSR07018	Rear Cover Assy(Model Mix ver)	1	1	
	※2	NSR07012#01	Rear Cover Assy	1	1
13	NSR09681#08	Signal Harness	1	1	

14	※3	SRR10SET	Exchange Kit M1.0	Each Nominal	1
	※3	SRR12SET	Exchange Kit M1.2		1
	※3	SRR14SET	Exchange Kit M1.4		1
	※3	SRR17SET	Exchange Kit M1.7		1
	※3	SRR20SET	Exchange Kit M2.0		1
	※3	SRR23SET	Exchange Kit M2.3		1
	※3	SRR26SET	Exchange Kit M2.6		1
	※3	SRR30SET	Exchange Kit M3.0		1
15		NSB07111	Upper Cover	1	1
16		NSR09681#02	Front Sensor Junction Cable	1	1
17		NSR09681#06	Escaper Motor Junction Cable	1	1
18		NSR09681#04	Power Switch Junction Cable	1	1
19		ZDE00001	Logo Sticker	1	1
20		ZDE00010#10	Sticker:NSR	1	1

※1 Please contact us for further details.

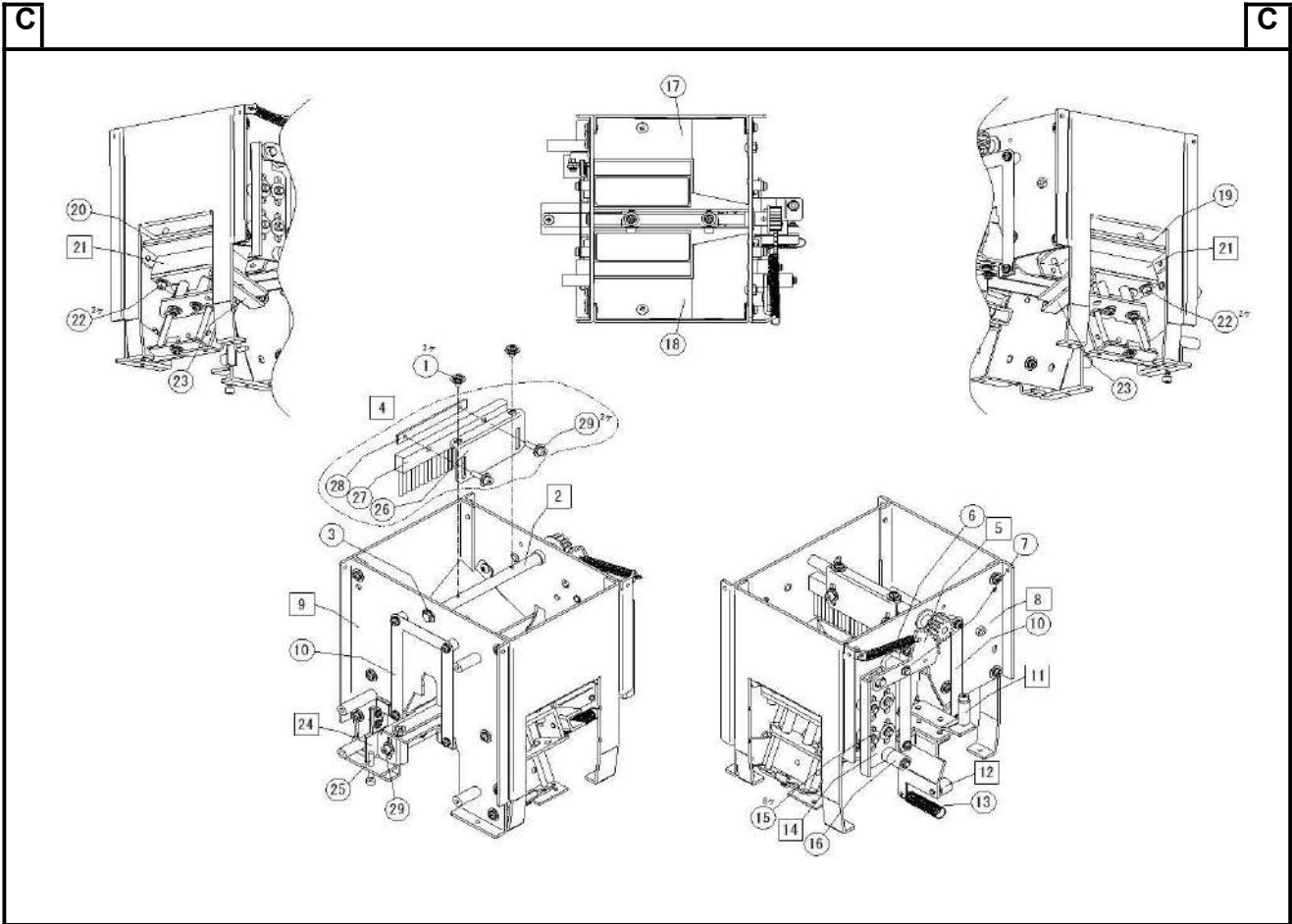
※2 Before Sept. 2017 (for 5 years).

※3 Breakdown of the Exchange Kit (Rail, Passing Plate, Escaper, Escaper Guide Right, Stopper Assy).



No.	Part Number	Name of Part	Q'ty used per set	Minimum q'ty packaging
C	-	Hopper Unit:NSR	1	-
1	ZZM00028	Pan Head Screw PW,SW M2.6*5 (10pcs)	8	1
2	CS-9	Coated Clip(10pcs)	4	1
3	NSIB3101	Driving Shaft Bracket Supporter	1	1
4	NSB03053	Driving Shaft Bracket Assy Left	1	1
5	NSB03054	Driving Shaft Bracket Assy Right	1	1
6	ZZM00054	Pan Head Screw PW,SW M2.6*5	4	1
7	NSB03107	Driving Roller	2	1
8	ZZM00560	Spring Pin 2.5*20 (10pcs)	3	1
9	ZZM00558	Spring Pin 2.5*14 (10pcs)	1	1
10	ZZM00034	Pan Head Screw PW,SW M2.6*16 (10pcs)	4	1
11	NSB03055	Vibration Cam Assy	1	1
12	NSB03056	Main Motor Unit:NSB	1	1
13	ZZM00030	Pan Head Screw PW,SW M2.6*8 (10pcs)	2	1
14	NJ04013	Driving Gear #1	1	1
15	NSB09182#05	Main Motor (With Harness)	1	1
16	TM-166-12	Bumper	2	1
17	TM-166-3	Bumper	2	1
18	NSB02061#02	DC Jack Bracket Assy	1	1
	※2 NSB02059#02	DC Jack Bracket Assy	1	1
19	NSB09183#02	POWER Plug (With Harness)	1	1
	※2 NSR09682#05	POWER Plug (With Harness)	1	1
20	ZPV00001#03	Main Circuit Board For NSR	1	1
21	ZZM00029	Pan Head Screw PW,SW M2.6*6 (10pcs)	2	1
22	ZZM00388	Hex. Socket Head Screw M4*8	2	1

※2 Before Sept. 2017 (for 5 years).



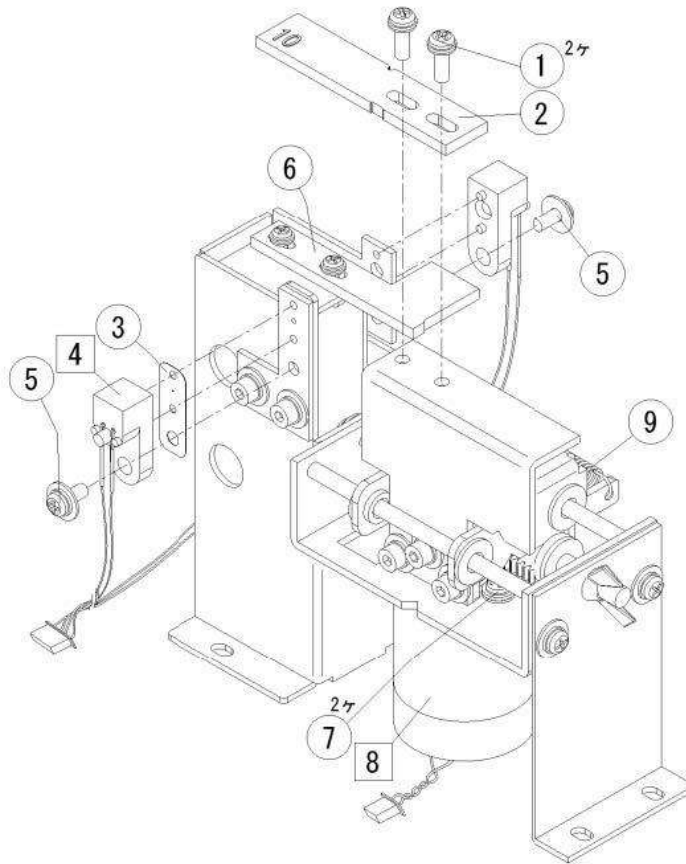
No.	Part Number	Name of Part	Q'ty used per set	Minimum q'ty packaging
1	ZZM00028	Pan Head Screw PW,SW M2.6*5 (10pcs)	2	1
2	NSB02055	Brush Shaft Assy	1	1
3	ZZM00512	E-Type Snap Ring E-5 (10pcs)	1	1
4	NSB02053#01	Brush Assy (Standard)	1	1
	NSB02053#02	Brush Assy (Hard)(Option)	(1)	1
5	NSB02058	Brush Driving Gear Large 3	1	1
	※2 NSB02051#04	Brush Driving Gear Large	1	1
6	NSB02127	Extension Spring	1	1
7	ZZM00510	E-Type Snap Ring E-3 (10pcs)	1	1
8	NSB02051#02	Front Hopper Wall	1	1
9	NSB02060	Rear Hopper Wall	1	1
	※2 NSB02051#01	Rear Hopper Wall	1	1
10	NSB02116#01	Vibration Plate	2	1
11	NSB04053	Rail Holder Fixing Bolt	1	1
12	NJ03032	Vibration Roller	1	1
13	NSB04120	Vibration Spring	1	1
14	NSB02054	Brush Driving Plate Assy	1	1
	※2 NSB02064	Brush Driving Plate Assy	1	1
15	NSB02128	Polyslider (10pcs)	8	1
16	NSB02108	Brush Driving Plate Roller	1	1
17	NSB02122	Inclined Plate Right	1	1
18	NSB02123	Inclined Plate Left	1	1
19	NSB01123	Inclined Plate Holder Right	1	1
20	NSB01122	Inclined Plate Holder Left	1	1
21	NSB01054	Hopper Block Assy	2	1
22	ZZM01009	Hex. Socket Head Bolt PW,SW M2.6*12 (10pcs)	4	1
23	NSB01108	Driving Holder Slit Plate	2	1
24	NSR02056	Vibration Adjusting Plate Assy	1	1
25	NSB02125	Adjusting Screw	1	1
26	NSB02111	Brush Bracket #1	1	1

27		NSB02110#01	Brush (Standard)	1	1
		NSB02110#02	Brush (Hard)(Option)	(1)	1
28		NSB02112	Brush Bracket #2	1	1
29		ZZM01008	Hex. Socket Head Bolt PW,SW M2.6*10 (10pcs)	3	1

※2 Before Sept. 2017 (for 5 years).

D

D



No.	Part Number	Name of Part	Q'ty used per set	Minimum q'ty packaging
1	ZZM00072	Pan Head Screw PW(s),SW M2.6*8 Ni (10pcs)	2	1
2	NSR08618#02	Escaper:10 M1.0:SE10	Each Nominal	1
	NSR08618#03	Escaper:12 M1.2:SE12		1
	NSR08618#04	Escaper:14 M1.4:SE14		1
	NSR08618#05	Escaper:17 M1.7:SE17		1
	NSR08618#06	Escaper:20 M2.0:SE20		1
	NSR08618#07	Escaper:23 M2.3:SE23		1
	NSR08618#08	Escaper:26 M2.6:SE26		1
	NSR08618#09	Escaper:30 M3.0:SE30		1
3	NSR08621	Light Receiver Slit Plate	1	1
4	NSR09682#01	Front Sensor (With Harness)	1	1
5	ZZM00029	Pan Head Screw PW,SW M2.6*6 (10pcs)	2	1
6	NSR08616	Bolt Plate	1	1
7	ZZM00622	Pan Head Screw PW(s),SW M3*5 (10pcs)	2	1
8	NSR08053	NSR Escaper Motor (With Harness)(C)	1	1
	※2 NSR09682#07	Escaper Motor (With Harness)	1	1
9	NSR08620#02	Extension Spring	1	1

※2 Before Sept. 2017 (for 5 years).

## ACCESSORIES

No.	Part Number	Name of Part	Q'ty used per set	Minimum q'ty packaging
1	UNI315-1510(PSE)	UNI315-1510 AC Adapter DC15V with PSE Cord	Anyone	1
	UI315-15(CCC)	UI315-15 AC Adapter DC15V with CCC Cord		1
	UI315-15(KC)	UI315-15 AC Adapter DC15V with KC Cord		1
	UNI315-1510(UL)	UNI315-1510 AC Adapter DC15V with UL Cord		1
	※4 UNI315-1510(CE)	UNI315-1510 AC Adapter DC15V with CE Cord		1
2	WRENCH-M2.0	Allen Wrench	1	1
3	NSN08201	Driver	1	1
4	TPO21202	Ground Wire	1	1
5	NSR1MA02	Operation Manual NSR Series	1	1
	※5 NSR1MA01	Operation Manual NSR Series	1	1

※4 The AC adapter uses CE certified products.

※5 Before Sept. 2017 (Please download from our homepage).