



Parts list & exploded view

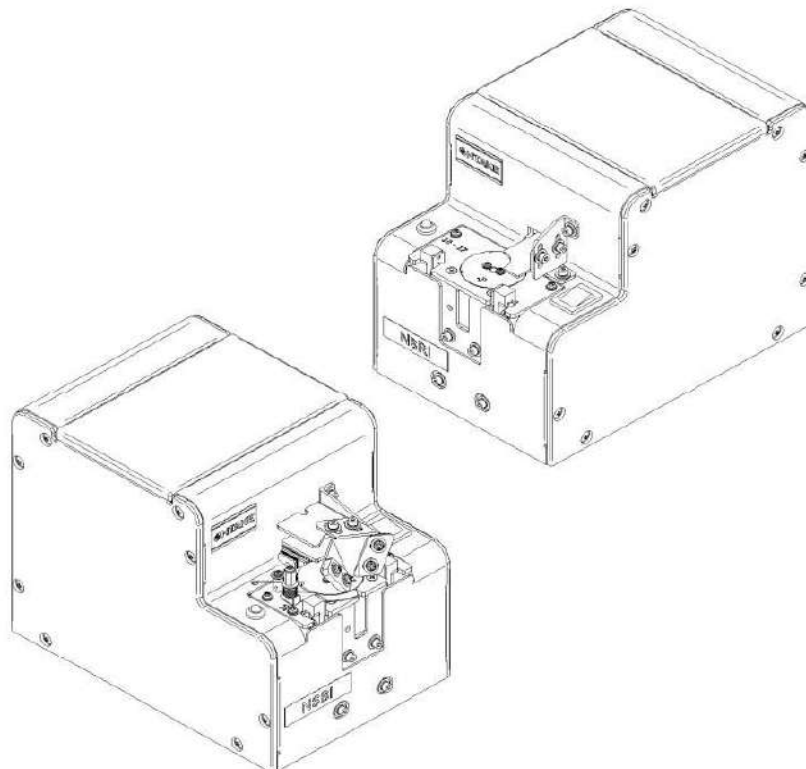
OHTAKE**NSBI - NSRI****OHTAKE automatic screw feeder NEJIKURA****NSBI-10 / NSBI-12 / NSBI-14 / NSBI-17 / NSBI-20 / NSBI-23 / NSBI-26 / NSBI-30 series****NSRI-10 / NSRI-12 / NSRI-14 / NSRI-17 / NSRI-20 / NSRI-23 / NSRI-26 / NSRI-30 series**

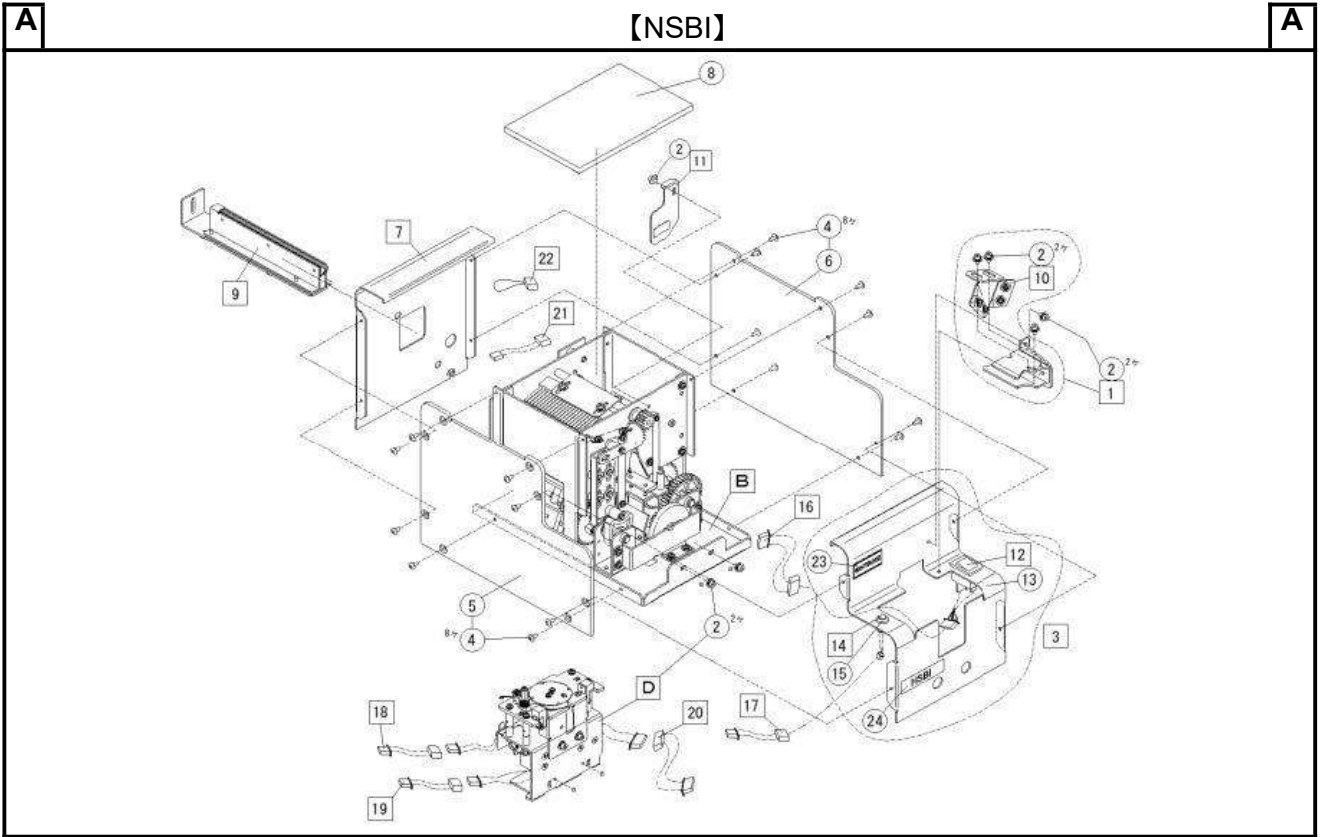
© DOGA DOC.60476.10/22

IMPORTANT

- Parts would be delivered in the minimum order quantity base.
- Some components are supplied only as assemblies.
- The components assembly might be reviewed without any notice.
- The minimum order quantities are indicated in the item descriptions.
- Any variations and upgrades in the designs of the product change without notice.

OVERVIEW





No.	Part Number	Name of Part	Q'ty used per set	Minimum q'ty packaging	
B	-	Block "B" Assy	1	-	
D	NSIB7200#01	Escaper Unit: NSBI2 M1.0	Each Nominal	1	
	NSIB7200#02	Escaper Unit: NSBI2 M1.2		1	
	NSIB7200#03	Escaper Unit: NSBI2 M1.4		1	
	NSIB7200#04	Escaper Unit: NSBI2 M1.7		1	
	NSIB7200#05	Escaper Unit: NSBI2 M2.0		1	
	NSIB7200#06	Escaper Unit: NSBI2 M2.3		1	
	NSIB7200#07	Escaper Unit: NSBI2 M2.6		1	
	NSIB7200#08	Escaper Unit: NSBI2 M3.0		1	
	※2	NSIB7107#01	Escaper Unit: NSBI M1.0	Each Nominal	1
	※2	NSIB7107#02	Escaper Unit: NSBI M1.2		1
	※2	NSIB7107#03	Escaper Unit: NSBI M1.4		1
	※2	NSIB7107#04	Escaper Unit: NSBI M1.7		1
	※2	NSIB7107#05	Escaper Unit: NSBI M2.0		1
	※2	NSIB7107#06	Escaper Unit: NSBI M2.3		1
※2	NSIB7107#07	Escaper Unit: NSBI M2.6	1		
※2	NSIB7107#08	Escaper Unit: NSBI M3.0	1		
1	NSIB6109	Bit Guide Assy	1	1	
2	ZZM00261	Hex. Socket Head Bolt PW, SW M2.6*5 (10pcs)	7	1	
3	NSIB7121#01	Front Cover Assy (With Sticker)	1	1	
4	ZZM00161	Plus Truss Head Screw M2.6*5 Ni (10pcs)	16	1	
5	NSR07604#02	Left Side Cover	1	1	
6	NSR07605#02	Right Side Cover	1	1	
7	NSIR7114	Rear Cover Assy	1	1	
	※2 NSIB7120	Rear Cover Assy	1	1	
8	NSB07111	Upper Cover	1	1	
9	※3 BI10SET	Exchange Kit M1.0	Each Nominal	1	
	※3 BI12SET	Exchange Kit M1.2		1	
	※3 BI14SET	Exchange Kit M1.4		1	
	※3 BI17SET	Exchange Kit M1.7		1	
	※3 BI20SET	Exchange Kit M2.0		1	
	※3 BI23SET	Exchange Kit M2.3		1	
	※3 BI26SET	Exchange Kit M2.6		1	
	※3 BI30SET	Exchange Kit M3.0		1	
10	NSIB6103	Bit Guide Assy	1	1	

11	NSB02052#01	Passing Plate:SW1017(M1.0-M1.7)	Each Nominal	1
	NSB02052#02	Passing Plate:SW2030(M2.0-M3.0)		1
12	NSIR9105#05	Power Switch (With Harness)	1	1
13	NSIB7102	Front Cover	1	1
14	NSIR9105#03	Front Sensor Detector LED (With Harness)	1	1
15	RTF-5010	LED Bezel	1	1
16	NSIR9104#06	Switch Junction Cable	1	1
17	NSIR9104#04	LED Junction Cable	1	1
18	NSIR9104#14	Sensor Junction Cable-Front Sensor	1	1
19	NSIR9104#02	Sensor Junction Cable-Origin Sensor	1	1
20	NSIR9104#09	Motor Junction Cable	1	1
21	NSIR9104#11	Power Junction Cable	1	1
22	NSIR9104#12	Jumper Connector	1	1
23	ZDE00001	Logo Sticker	1	1
24	ZDE00010#08	Sticker:NSBI	1	1

※1 Please contact us for further details.

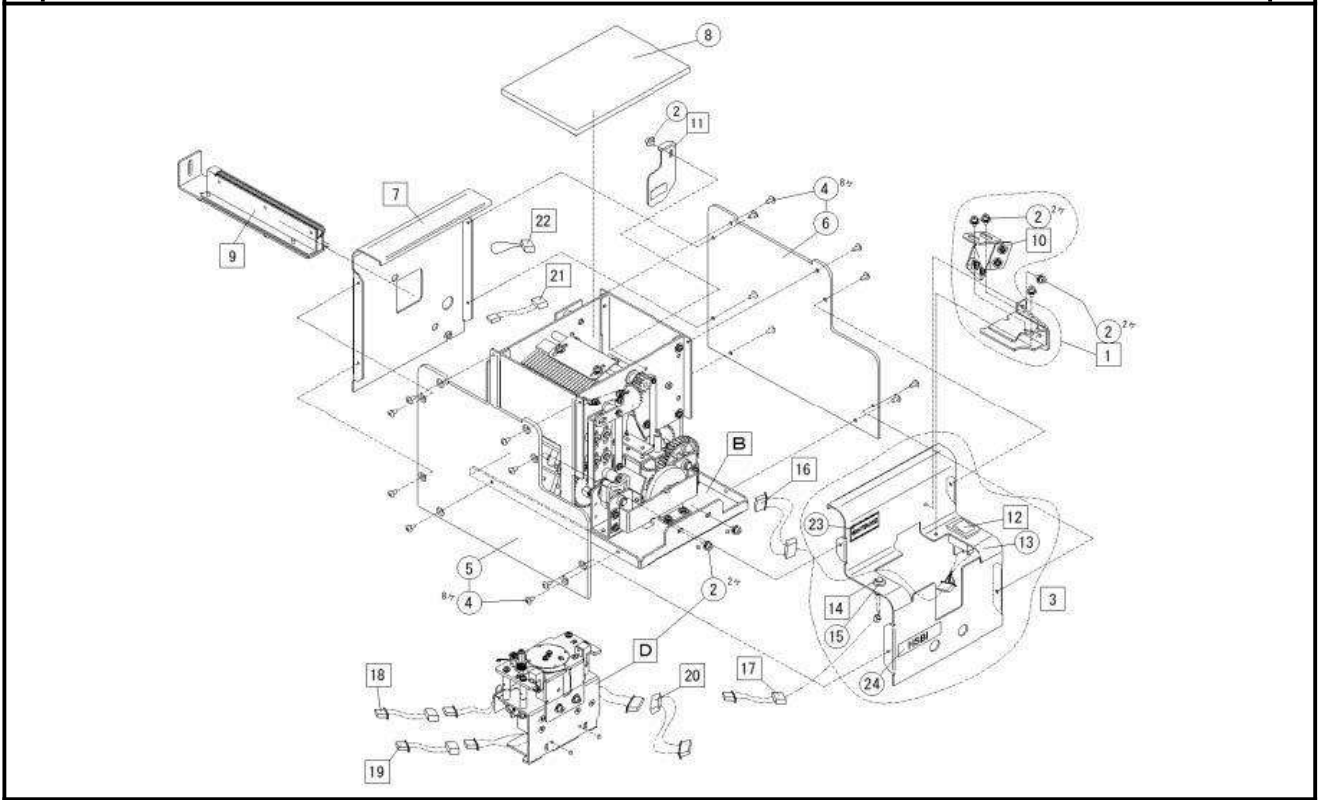
※2 Before Sept. 2017 (for 5 years).

※3 Breakdown of the Exchange Kit (Rail, Passing Plate, Escaper, Escaper Guide Right, Stopper Assy).

A

【NSRI】

A



No.	Part Number	Name of Part	Q'ty used per set	Minimum q'ty packaging	
B	-	Block "B" Assy	1	-	
D	NSIR7210#01	Escaper Unit:NSRI(Model Mix ver) M1.0	Each Nominal	1	
	NSIR7210#02	Escaper Unit:NSRI(Model Mix ver) M1.2		1	
	NSIR7210#03	Escaper Unit:NSRI(Model Mix ver) M1.4		1	
	NSIR7210#04	Escaper Unit:NSRI(Model Mix ver) M1.7		1	
	NSIR7210#05	Escaper Unit:NSRI(Model Mix ver) M2.0		1	
	NSIR7210#06	Escaper Unit:NSRI(Model Mix ver) M2.3		1	
	NSIR7210#07	Escaper Unit:NSRI(Model Mix ver) M2.6		1	
	NSIR7210#08	Escaper Unit:NSRI(Model Mix ver) M3.0		1	
	※2	NSIR7107#01	Escaper Unit:NSRI M1.0	Each Nominal	1
	※2	NSIR7107#02	Escaper Unit:NSRI M1.2		1
	※2	NSIR7107#03	Escaper Unit:NSRI M1.4		1
	※2	NSIR7107#04	Escaper Unit:NSRI M1.7		1
	※2	NSIR7107#05	Escaper Unit:NSRI M2.0		1
	※2	NSIR7107#06	Escaper Unit:NSRI M2.3		1
	※2	NSIR7107#07	Escaper Unit:NSRI M2.6		1
※2	NSIR7107#08	Escaper Unit:NSRI M3.0	1		
1	NSIR6105	Presser Plate Assy	1	1	
2	ZZM00261	Hex. Socket Head Bolt PW,SW M2.6*5 (10pcs)	5	1	
3	NSIB7121#02	Front Cover Assy (With Sticker)	1	1	
4	ZZM00161	Plus Truss Head Screw M2.6*5 Ni (10pcs)	16	1	
5	NSR07604#01	Left Side Cover	1	1	
6	NSR07605#01	Right Side Cover	1	1	
7	NSIR7114	Rear Cover Assy	1	1	
8	NSB07111	Upper Cover	1	1	
9	※3	R110SET	Each Nominal	1	
	※3	R112SET		1	
	※3	R114SET		1	
	※3	R117SET		1	
	※3	R120SET		1	
	※3	R123SET		1	
	※3	R126SET		1	
	※3	R130SET		1	
10	NSB02052#01	Passing Plate:SW1017(M1.0-M1.7)	Each Nominal	1	
	NSB02052#02	Passing Plate:SW2030(M2.0-M3.0)		1	

11		NSIR9105#05	Power Switch (With Harness)	1	1
12		NSIB7102	Front Cover	1	1
13		NSIR9105#03	Front Sensor Detector LED (With Harness)	1	1
14		RTF-5010	LED Bezel	1	1
15		NSIR9104#06	Switch Junction Cable	1	1
16		NSIR9104#04	LED Junction Cable	1	1
17		NSIR9104#14	Sensor Junction Cable-Front Sensor	1	1
18		NSIR9104#02	Sensor Junction Cable-Origin Sensor	1	1
19		NSIR9104#09	Motor Junction Cable	1	1
20		NSIR9104#11	Power Junction Cable	1	1
21		NSIR9104#12	Jumper Connector	1	1
22		ZDE00001	Logo Sticker	1	1
23		ZDE00010#09	Sticker:NSRI	1	1

※1 Please contact us for further details.

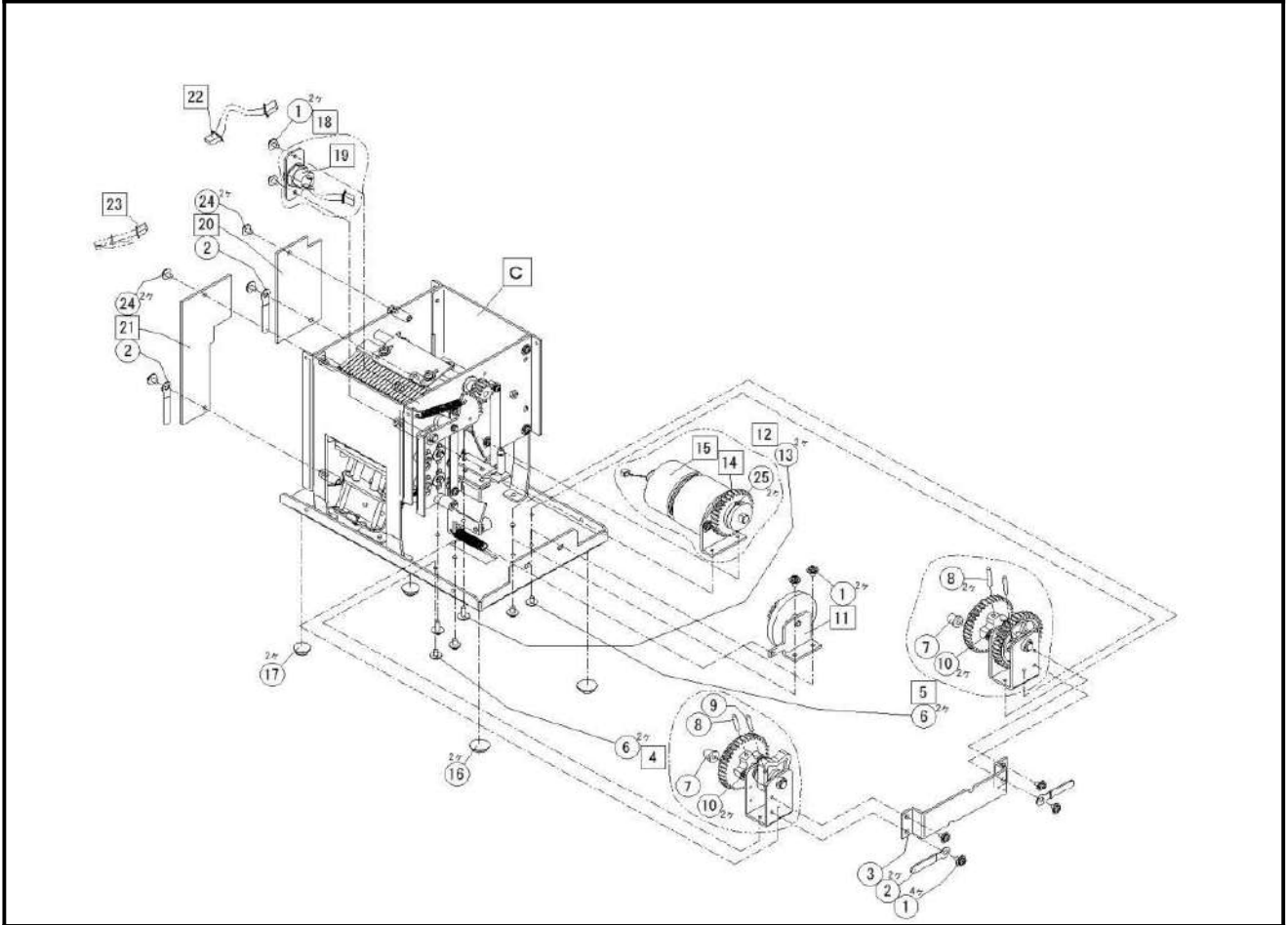
※2 Before Sept. 2017 (for 5 years).

※3 Breakdown of the Exchange Kit (Rail,Passing Plate,Escaper,Escaper Guide for Robot).

B

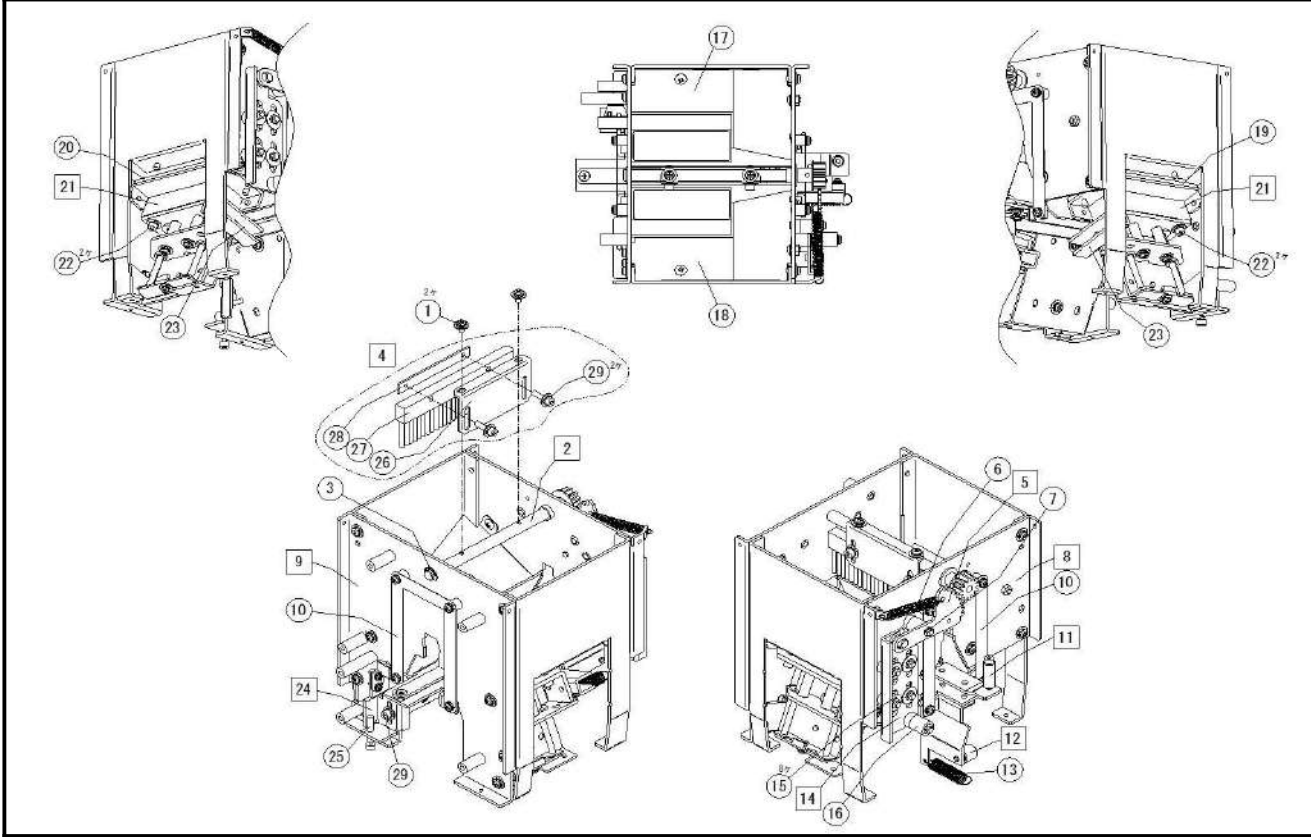
【NSBI】 ‹‹NSRI››

B



No.	Part Number	Name of Part	Q'ty used per set	Minimum q'ty packaging
C	-	Hopper Unit: NSBI	1	-
1	ZZM00028	Pan Head Screw PW, SW M2.6*5 (10pcs)	8	1
2	CS-9	Coated Clip(10pcs)	4	1
3	NSIB3101	Driving Shaft Bracket Supporter	1	1
4	NSB03053	Driving Shaft Bracket Assy Left	1	1
5	NSB03054	Driving Shaft Bracket Assy Right	1	1
6	ZZM00054	Pan Head Screw PW, SW M2.6*5	4	1
7	NSB03107	Driving Roller	2	1
8	ZZM00560	Spring Pin 2.5*20 (10pcs)	3	1
9	ZZM00558	Spring Pin 2.5*14 (10pcs)	1	1
10	ZZM00034	Pan Head Screw PW, SW M2.6*16 (10pcs)	4	1
11	NSB03055	Vibration Cam Assy	1	1
12	NSIB7115	Main Motor Unit	1	1
13	ZZM00030	Pan Head Screw PW, SW M2.6*8 (10pcs)	2	1
14	NJ04013	Driving Gear #1	1	1
15	NSIR9105#15	Main Motor (With Harness)	1	1
16	TM-166-12	Bumper	2	1
17	TM-166-3	Bumper	2	1
18	NSIB7118	DC Jack Assy	1	1
19	NSIR9105#07	Power Plug (With Harness)	1	1
20	ZPV00001#17	SPM Board For NSRI-NSBI	1	1
21	ZPV00001#04	Main Circuit Board For NSRI-NSBI	1	1
22	NSIR9104#08	Signal Junction Cable	1	1
23	NSIR9104#16	Signal Harness	1	1
24	ZZM00029	Pan Head Screw PW, SW M2.6*6 (10pcs)	4	1
25	ZZM00388	Hex. Socket Head Screw M4*8	2	1

C 【NSBI】 ‹‹NSRI›› C



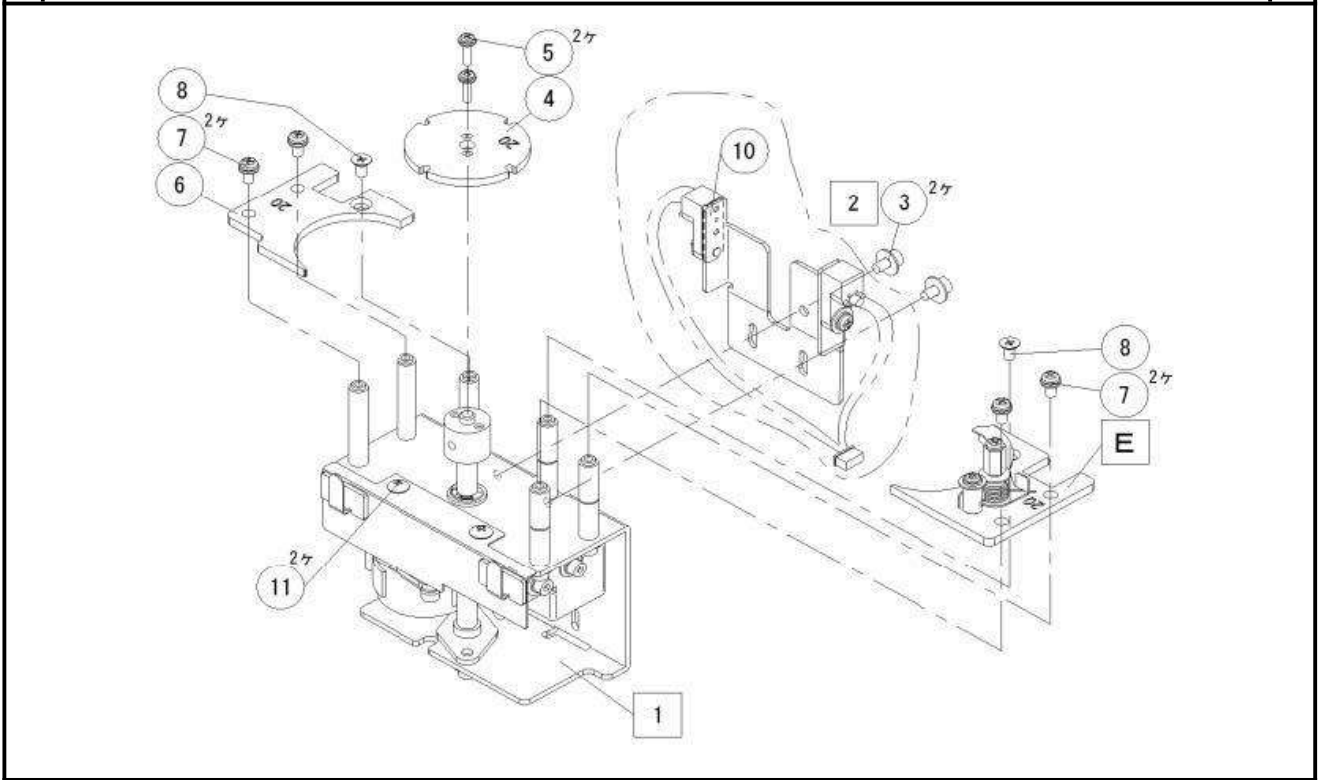
No.	Part Number	Name of Part	Q'ty used per set	Minimum q'ty packaging
1	ZZM00028	Pan Head Screw PW,SW M2.6*5 (10pcs)	2	1
2	NSB02055	Brush Shaft Assy	1	1
3	ZZM00512	E-Type Snap Ring E-5 (10pcs)	1	1
4	NSB02053#01	Brush Assy (Standard)	1	1
	NSB02053#02	Brush Assy (Hard)(Option)	(1)	1
5	NSB02058	Brush Driving Gear Large 3	1	1
	※2 NSB02051#04	Brush Driving Gear Large	1	1
6	NSB02127	Extension Spring	1	1
7	ZZM00510	E-Type Snap Ring E-3 (10pcs)	1	1
8	NSB02051#02	Front Hopper Wall	1	1
9	NSIB2051	Rear Hopper Wall	1	1
10	NSB02116#01	Vibration Plate	2	1
11	NSB04053	Rail Holder Fixing Bolt	1	1
12	NJ03032	Vibration Roller	1	1
13	NSB04120	Vibration Spring	1	1
14	NSB02054	Brush Driving Plate Assy	1	1
	※2 NSB02064	Brush Driving Plate Assy	1	1
15	NSB02128	Polyslider (10pcs)	8	1
16	NSB02108	Brush Driving Plate Roller	1	1
17	NSB02122	Inclined Plate Right	1	1
18	NSB02123	Inclined Plate Left	1	1
19	NSB01123	Inclined Plate Holder Right	1	1
20	NSB01122	Inclined Plate Holder Left	1	1
21	NSB01054	Hopper Block Assy	2	1
22	ZZM01009	Hex. Socket Head Bolt PW,SW M2.6*12 (10pcs)	4	1
23	NSB01108	Driving Holder Slit Plate	2	1
24	NSR02056	Vibration Adjusting Plate Assy	1	1
25	NSB02125	Adjusting Screw	1	1
26	NSB02111	Brush Bracket #1	1	1
27	NSB02110#01	Brush (Standard)	1	1
	NSB02110#02	Brush (Hard)(Option)	(1)	1
28	NSB02112	Brush Bracket #2	1	1
29	ZZM01008	Hex. Socket Head Bolt PW,SW M2.6*10 (10pcs)	3	1

※2 Before Sept. 2017 (for 5 years).

D

【NSBI】

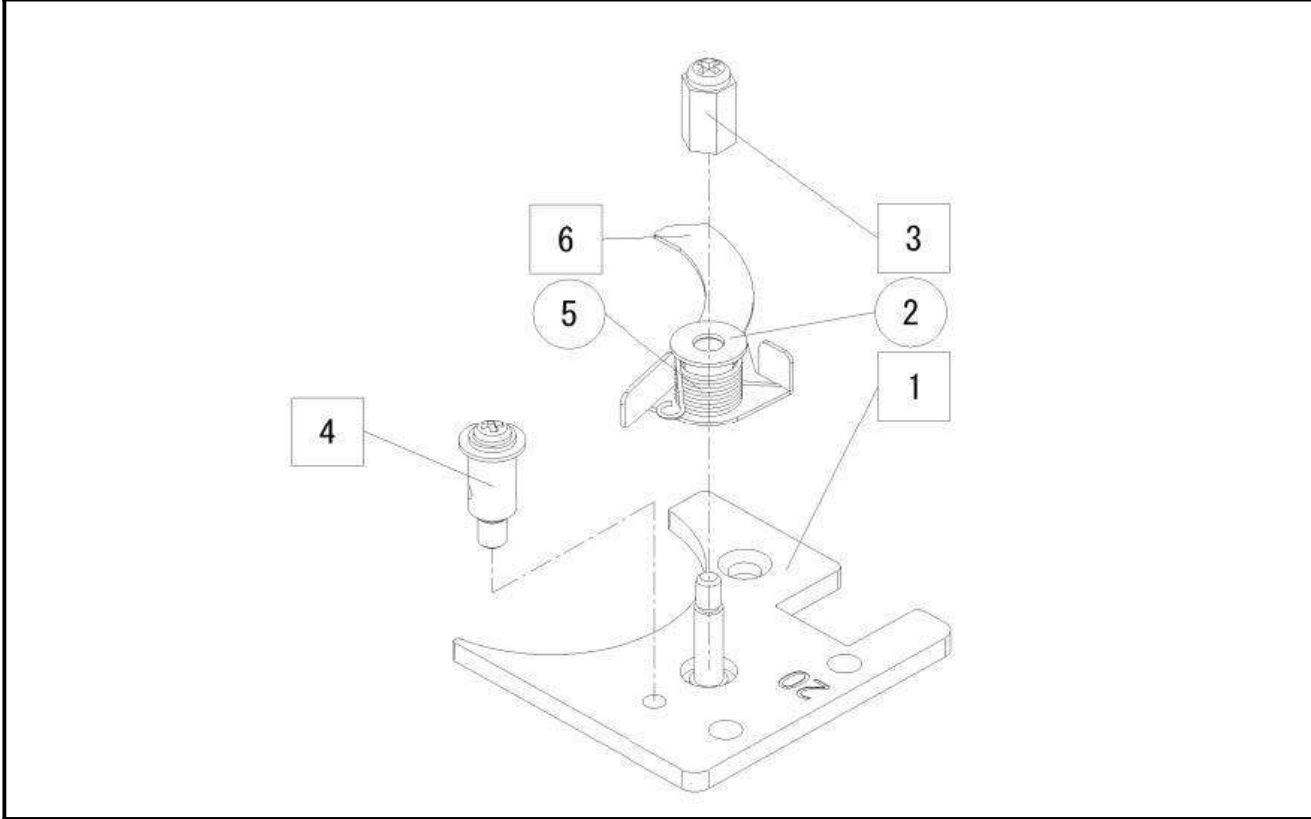
D



No.	Part Number	Name of Part	Q'ty used per set	Minimum q'ty packaging
E	TPO20806#01	Stopper Assy M1.0:SIES10	Each Nominal	1
	TPO20806#02	Stopper Assy M1.2:SIES12		1
	TPO20806#03	Stopper Assy M1.4:SIES14		1
	TPO20806#04	Stopper Assy M1.7:SIES17		1
	TPO20806#05	Stopper Assy M2.0:SIES20		1
	TPO20806#06	Stopper Assy M2.3:SIES23		1
	TPO20806#07	Stopper Assy M2.6:SIES26		1
	TPO20806#08	Stopper Assy M3.0:SIES30		1
1	NSIB7201	Escaper Driving Unit	1	1
	※2 NSIB7109	Escaper Driving Unit	1	1
2	NSIB7114	Front Sensor Assy	1	1
3	ZZM00261	Hex. Socket Head Bolt PW,SW M2.6*5 (10pcs)	2	1
4	TPO00604#01	Escaper:M1.0 SIE10	Each Nominal	1
	TPO00604#02	Escaper:M1.2 SIE12		1
	TPO00604#03	Escaper:M1.4 SIE14		1
	TPO00604#04	Escaper:M1.7 SIE17		1
	TPO00604#05	Escaper:M2.0 SIE20		1
	TPO00604#06	Escaper:M2.3 SIE23		1
	TPO00604#07	Escaper:M2.6 SIE26		1
	TPO00604#08	Escaper:M3.0 SIE30		1
5	ZZM00071	Pan Head Screw PW(s),SW M2*8 Ni (10pcs)	2	1
6	TPO00608#01	Escaper Guide Right M1.0:SIEM10	Each Nominal	1
	TPO00608#02	Escaper Guide Right M1.2:SIEM12		1
	TPO00608#03	Escaper Guide Right M1.4:SIEM14		1
	TPO00608#04	Escaper Guide Right M1.7:SIEM17		1
	TPO00608#05	Escaper Guide Right M2.0:SIEM20		1
	TPO00608#06	Escaper Guide Right M2.3:SIEM23		1
	TPO00608#07	Escaper Guide Right M2.6:SIEM26		1
	TPO00608#08	Escaper Guide Right M3.0:SIEM30		1
7	ZZM00060	Pan Head Screw PW(s),SW M2.6*5 (10pcs)	4	1
8	ZZM00614	Plus Countersunk Head Screw M2.6*5.Nvlok (10pcs)	2	1
9	NSIR9105#13	Front Sensor (With Harness)	1	1
10	NSR08621	Light Receiver Slit Plate	1	1
11	ZZM00159	Plus Truss Head Screw M2.6*3 Ni (10pcs)	2	1

※2 Before Sept. 2017 (for 5 years).

E [NSBI] E



No.	Part Number	Name of Part	Q'ty used per set	Minimum q'ty packaging
1	TPO20812#01	Escaper Guide Left(With Flange):M1.0	Each Nominal	1
	TPO20812#02	Escaper Guide Left(With Flange):M1.2		1
	TPO20812#03	Escaper Guide Left(With Flange):M1.4		1
	TPO20812#04	Escaper Guide Left(With Flange):M1.7		1
	TPO20812#05	Escaper Guide Left(With Flange):M2.0		1
	TPO20812#06	Escaper Guide Left(With Flange):M2.3		1
	TPO20812#07	Escaper Guide Left(With Flange):M2.6		1
	TPO20812#08	Escaper Guide Left(With Flange):M3.0		1
2	ZZM00394	Plain Washer M3 (10pcs)	1	1
3	TPO20804	E-Stopper Spring Stopping Screw Assy	1	1
4	TPO20803	E-Stopper Spring Holding Assy	1	1
5	TPO91101	E-Stopper Spring	1	1
6	TPO00512	E-Stopper	1	1

ACCESSORIES

No.	Part Number	Name of Part	Q'ty used per set	Minimum q'ty packaging
1	UNI315-1510(PSE)	UNI315-1510 AC Adapter DC15V with PSE Cord	Anyone	1
	UI315-15(CCC)	UI315-15 AC Adapter DC15V with CCC Cord		1
	UI315-15(KC)	UI315-15 AC Adapter DC15V with KC Cord		1
	UNI315-1510(UL)	UNI315-1510 AC Adapter DC15V with UL Cord		1
	※4 UNI315-1510(CE)	UNI315-1510 AC Adapter DC15V with CE Cord		1
2	WRENCH-M2.0	Allen Wrench	1	1
3	NSN08201	Driver	1	1
4	TPO21202	Ground Wire	1	1
5	NSBI1MA2	Operation Manual NSBI Series	1	1
	NSRI1MA2	Operation Manual NSRI Series	1	1
	※5 NSBI1MA1	Operation Manual NSBI Series	1	1
	※5 NSRI1MA1	Operation Manual NSRI Series	1	1

※4 The AC adapter uses CE certified products.

※5 Before Sept. 2017 (Please download from our homepage).

