



## Parts list & exploded view

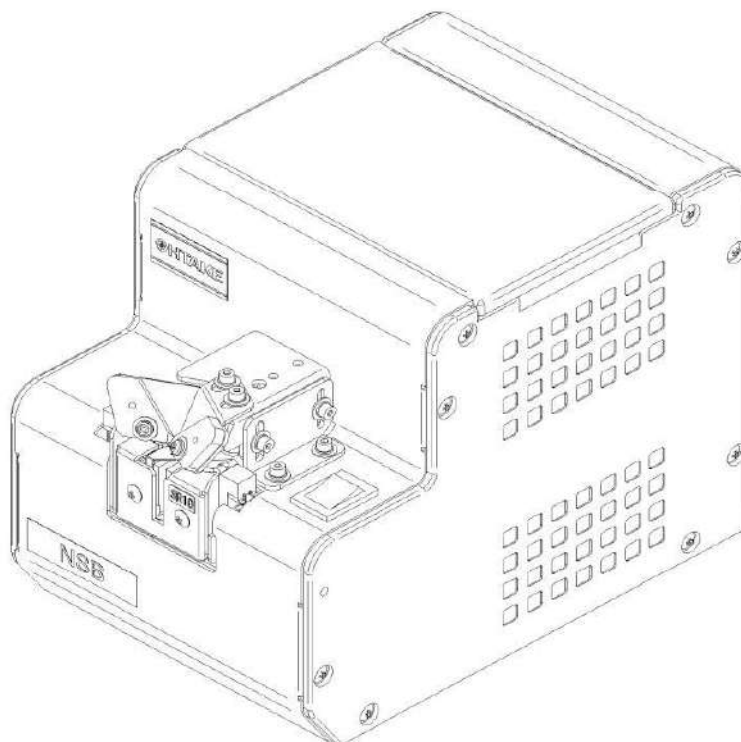
**OHTAKE****NSB****OHTAKE automatic screw feeder NEJIKURA****NSB-10 / NSB-12 / NSB-14 / NSB-17 series****NSB-20 / NSB-23 / NSB-26 / NSB-30 series**

© DOGA DOC.60475.10/22

### IMPORTANT

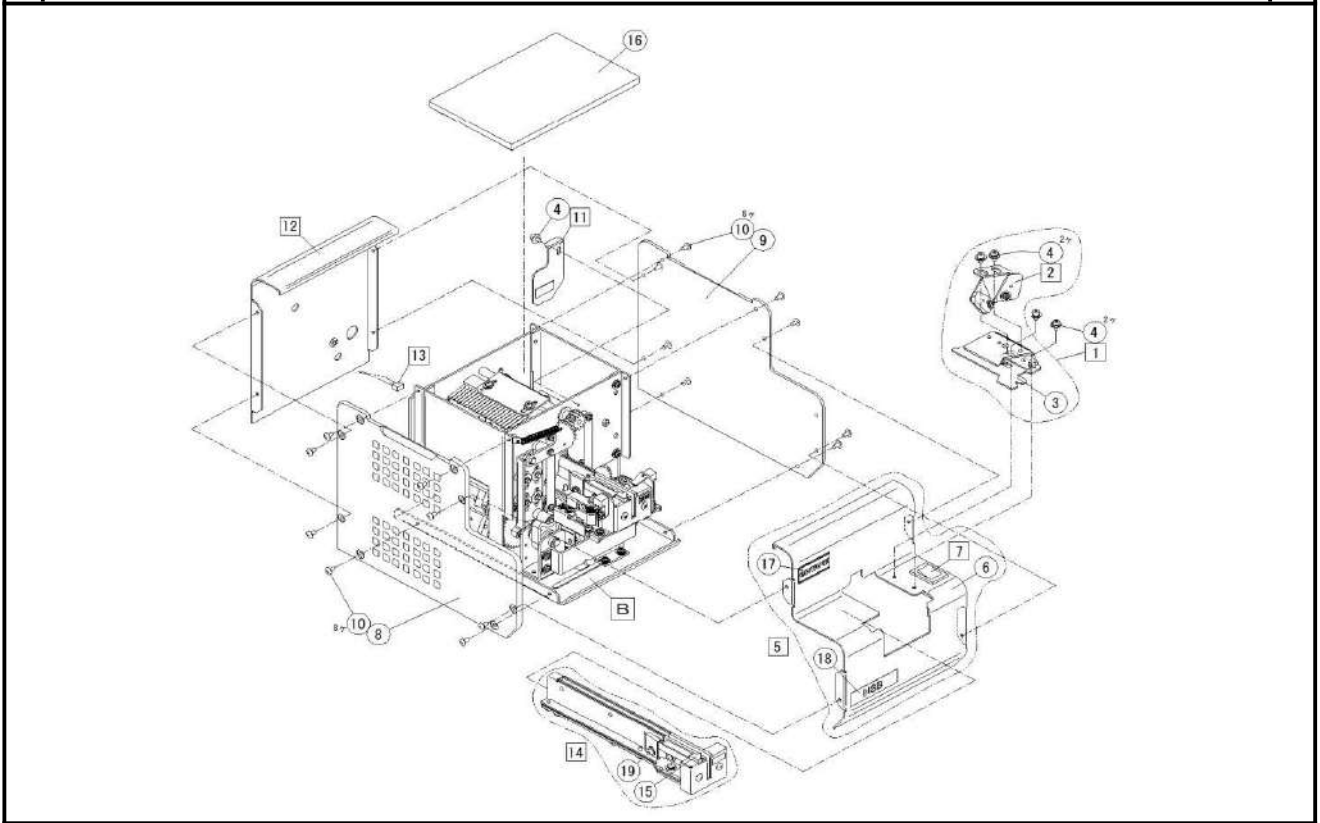
- Parts would be delivered in the minimum order quantity base.
- Some components are supplied only as assemblies.
- The components assembly might be reviewed without any notice.
- The minimum order quantities are indicated in the item descriptions.
- Any variations and upgrades in the designs of the product change without notice.

### OVERVIEW



A

A

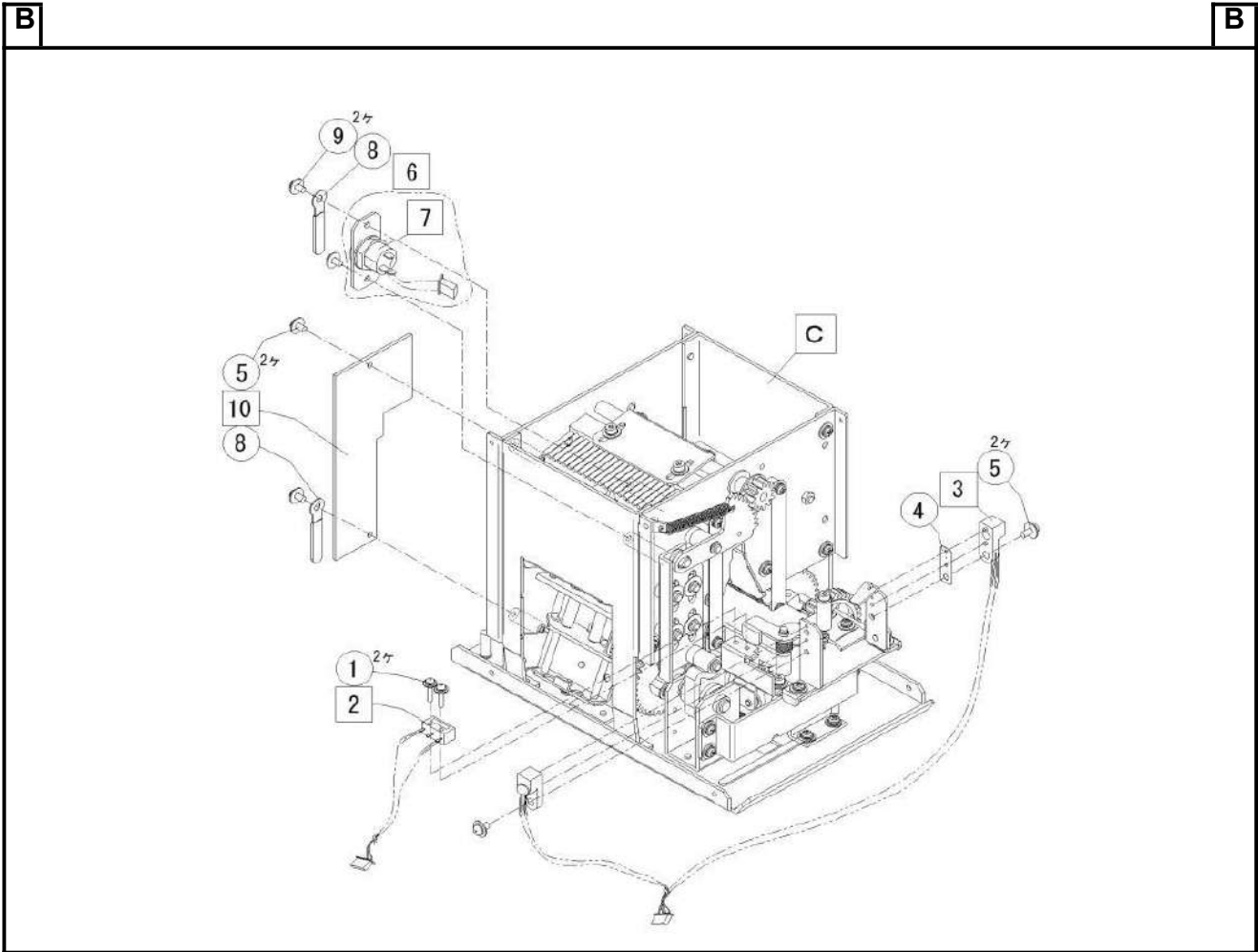


No.	Part Number	Name of Part	Q'ty used per set	Minimum q'ty packaging
B	-	Main Unit: NSB(Model Mix ver)	1	-
1	NSB06003	Bit Guide Unit: NSB	1	1
2	NSB06002	Bit Guide Assy	1	1
3	NSB06102	Presser Plate (Bit Guide)	1	1
4	ZZM00261	Hex. Socket Head Bolt PW, SW M2.6*5 (10pcs)	5	1
5	NSB07015	Front Cover Assy (With Sticker)	1	1
6	NSB07108	Front Cover	1	1
7	NSB09182#03	Power Switch (With Harness)	1	1
8	NSB07109	Left Side Cover	1	1
9	NSB07110	Right Side Cover	1	1
10	ZZM00161	Plus Truss Head Screw M2.6*5 Ni (10pcs)	16	1
11	NSB02052#01	Passing Plate: SW1017(M1.0-M1.7)	Each	1
	NSB02052#02	Passing Plate: SW2030(M2.0-M3.0)		1
12	NSB07017	Rear Cover Assy(Model Mix ver)	1	1
	※2 NSB07011#01	Rear Cover Assy	1	1
13	NSR09681#08	Signal Harness	1	1
14	※3 SR10SET	Exchange Kit M1.0	Each Nominal	1
	※3 SR12SET	Exchange Kit M1.2		1
	※3 SR14SET	Exchange Kit M1.4		1
	※3 SR17SET	Exchange Kit M1.7		1
	※3 SR20SET	Exchange Kit M2.0		1
	※3 SR23SET	Exchange Kit M2.3		1
	※3 SR26SET	Exchange Kit M2.6		1
	※3 SR30SET	Exchange Kit M3.0		1
15	NSB05113	Stopper: M10 (M1.0)	Each	1
	NSB05114	Stopper: M14 (M1.2, M1.4)		1
	NSB05115	Stopper: M30 (M1.7-M3.0)		1
16	NSB07111	Upper Cover	1	1
17	ZDE00001	Logo Sticker	1	1
18	ZDE00010#07	Sticker: NSB	1	1
19	ZZM00027	Pan Head Screw PW, SW M2.6*4 (10pcs)	1	1

※1 Please contact us for further details.

※2 Before Sept. 2017 (for 5 years).

※3 Breakdown of the Exchange Kit (Rail, Passing Plate).

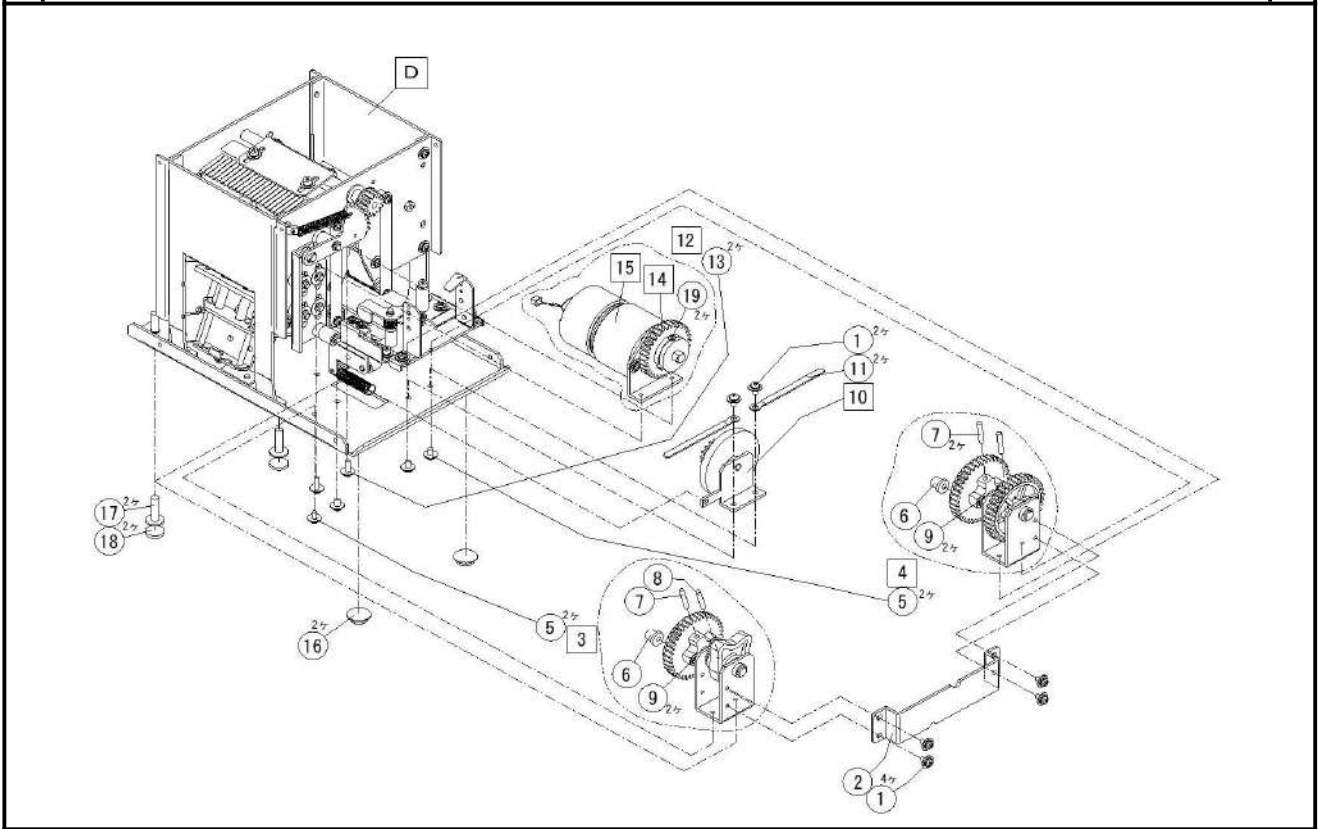


No.	Part Number	Name of Part	Q'ty used per set	Minimum q'ty packaging
C	-	Block "C" Assy	1	-
1	ZZM00021	Pan Head Screw PW,SW M2*10 (10pcs)	2	1
2	NSB09182#01	Take-Out Sensor (With Harness)	1	1
3	NSB09182#02	Front Sensor (With Harness)	1	1
4	NSR08621	Light Receiver Slit Plate	1	1
5	ZZM00029	Pan Head Screw PW,SW M2.6*6 (10pcs)	4	1
6	NSB02061#01	DC Jack Bracket Assy	1	1
	※2 NSB02059#01	DC Jack Bracket Assy	1	1
7	NSB09183#01	POWER Plug (With Harness)	1	1
	※2 NSB09182#04	POWER Plug (With Harness)	1	1
8	CS-9	Coated Clip(10pcs)	2	1
9	ZZM00028	Pan Head Screw PW,SW M2.6*5 (10pcs)	2	1
10	ZPV00001#01	Main Circuit Board For NJ-NSB	1	1

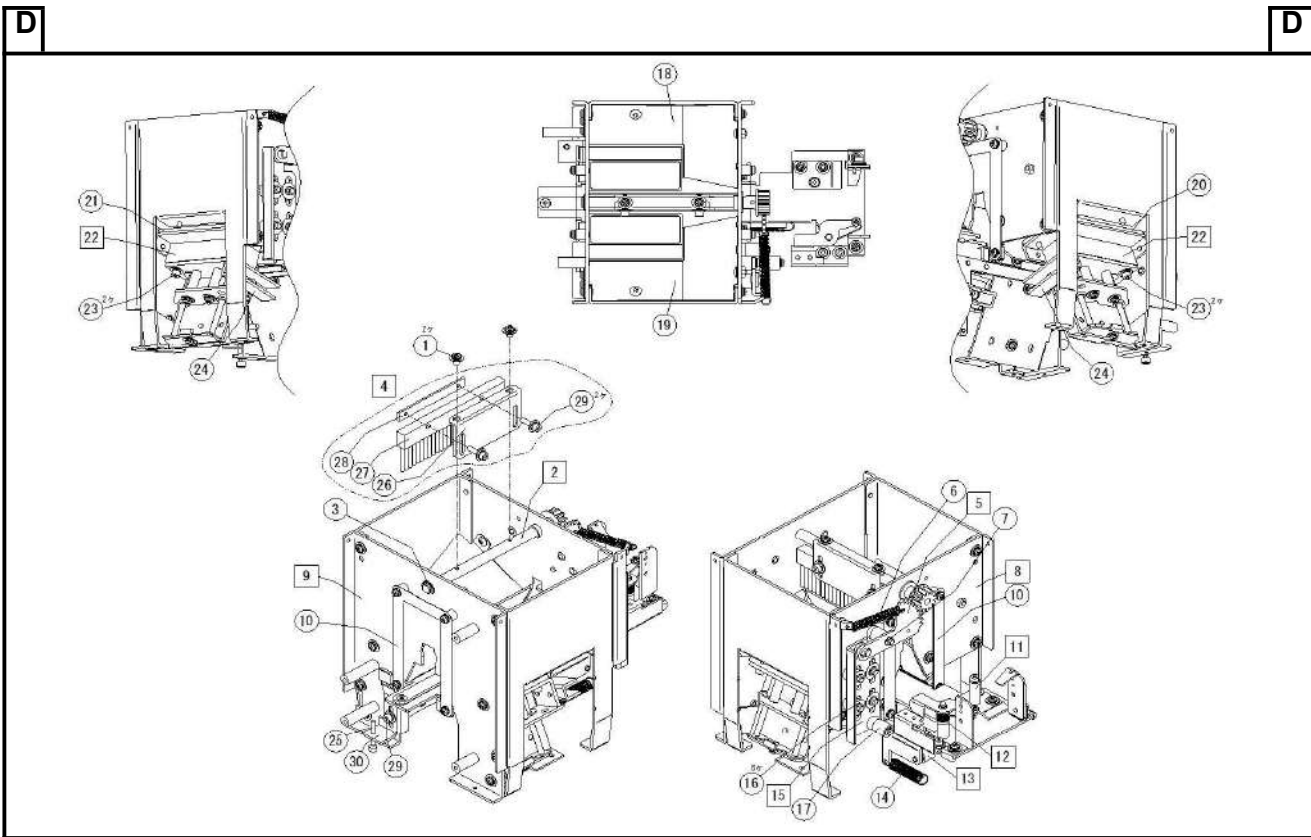
※2 Before Sept. 2017 (for 5 years).

C

C



No.	Part Number	Name of Part	Q'ty used per set	Minimum q'ty packaging
D	-	Hopper Unit: NSB	1	-
1	ZZM00028	Pan Head Screw PW, SW M2.6*5 (10pcs)	6	1
2	NSIB3101	Driving Shaft Bracket Supporter	1	1
3	NSB03053	Driving Shaft Bracket Assy Left	1	1
4	NSB03054	Driving Shaft Bracket Assy Right	1	1
5	ZZM00054	Pan Head Screw PW, SW M2.6*5	4	1
6	NSB03107	Driving Roller	2	1
7	ZZM00560	Spring Pin 2.5*20 (10pcs)	3	1
8	ZZM00558	Spring Pin 2.5*14 (10pcs)	1	1
9	ZZM00034	Pan Head Screw PW, SW M2.6*16 (10pcs)	4	1
10	NSB03055	Vibration Cam Assy	1	1
11	CS-1	Coated Clip(10pcs)	2	1
12	NSB03056	Main Motor Unit: NSB	1	1
13	ZZM00030	Pan Head Screw PW, SW M2.6*8 (10pcs)	2	1
14	NJ04013	Driving Gear #1	1	1
15	NSB09182#05	Main Motor (With Harness)	1	1
16	TM-166-12	Bumper	2	1
17	ZZM01081	Weld Bolt BT4*15 (4pcs)	2	1
18	TM-182-816-10	Urethane Roll Stock	2	1
19	ZZM00388	Hex. Socket Head Screw M4*8	2	1



No.	Part Number	Name of Part	Q'ty used per set	Minimum q'ty packaging
1	ZZM00028	Pan Head Screw PW,SW M2.6*5 (10pcs)	2	1
2	NSB02055	Brush Shaft Assy	1	1
3	ZZM00512	E-Type Snap Ring E-5 (10pcs)	1	1
4	NSB02053#01	Brush Assy (Standard)	1	1
	NSB02053#02	Brush Assy (Hard)(Option)	(1)	1
5	NSB02058	Brush Driving Gear Large 3	1	1
	※2 NSB02051#04	Brush Driving Gear Large	1	1
6	NSB02127	Extension Spring	1	1
7	ZZM00510	E-Type Snap Ring E-3 (10pcs)	1	1
8	NSB02051#02	Front Hopper Wall	1	1
9	NSB02060	Rear Hopper Wall	1	1
	※2 NSB02051#01	Rear Hopper Wall	1	1
10	NSB02116#01	Vibration Plate	2	1
11	NSB04053	Rail Holder Fixing Bolt	1	1
12	NSB04119	Switch Link Spring	1	1
13	NJ03032	Vibration Roller	1	1
14	NSB04120	Vibration Spring	1	1
15	NSB02054	Brush Driving Plate Assy	1	1
	※2 NSB02064	Brush Driving Plate Assy	1	1
16	NSB02128	Polyslider (10pcs)	8	1
17	NSB02108	Brush Driving Plate Roller	1	1
18	NSB02122	Inclined Plate Right	1	1
19	NSB02123	Inclined Plate Left	1	1
20	NSB01123	Inclined Plate Holder Right	1	1
21	NSB01122	Inclined Plate Holder Left	1	1
22	NSB01054	Hopper Block Assy	2	1
23	ZZM01009	Hex. Socket Head Bolt PW,SW M2.6*12 (10pcs)	4	1
24	NSB01108	Driving Holder Slit Plate	2	1
25	NSB02125	Adjusting Screw	1	1
26	NSB02111	Brush Bracket #1	1	1
27	NSB02110#01	Brush (Standard)	1	1
	NSB02110#02	Brush (Hard)(Option)	(1)	1
28	NSB02112	Brush Bracket #2	1	1
29	ZZM01008	Hex. Socket Head Bolt PW,SW M2.6*10 (10pcs)	3	1
30	NSB02114	Vibration Adjusting Plate	1	1

※2 Before Sept. 2017 (for 5 years).

## ACCESSORIES

No.	Part Number	Name of Part	Q'ty used per set	Minimum q'ty packaging
1	UNI315-1510(PSE)	UNI315-1510 AC Adapter DC15V with PSE Cord	Anyone	1
	UI315-15(CCC)	UI315-15 AC Adapter DC15V with CCC Cord		1
	UI315-15(KC)	UI315-15 AC Adapter DC15V with KC Cord		1
	UNI315-1510(UL)	UNI315-1510 AC Adapter DC15V with UL Cord		1
	※4 UNI315-1510(CE)	UNI315-1510 AC Adapter DC15V with CE Cord		1
2	NSB06110	Gauge	1	1
3	WRENCH-M2.0	Allen Wrench	1	1
4	NSN08201	Driver	1	1
5	TPO21202	Ground Wire	1	1
6	NSB1MA02	Operation Manual NSB Series	1	1
	※5 NSB1MA01	Operation Manual NSB Series	1	1

※4 The AC adapter uses CE certified products.

※5 Before Sept. 2017 (Please download from our homepage).



