



Parts list & exploded view

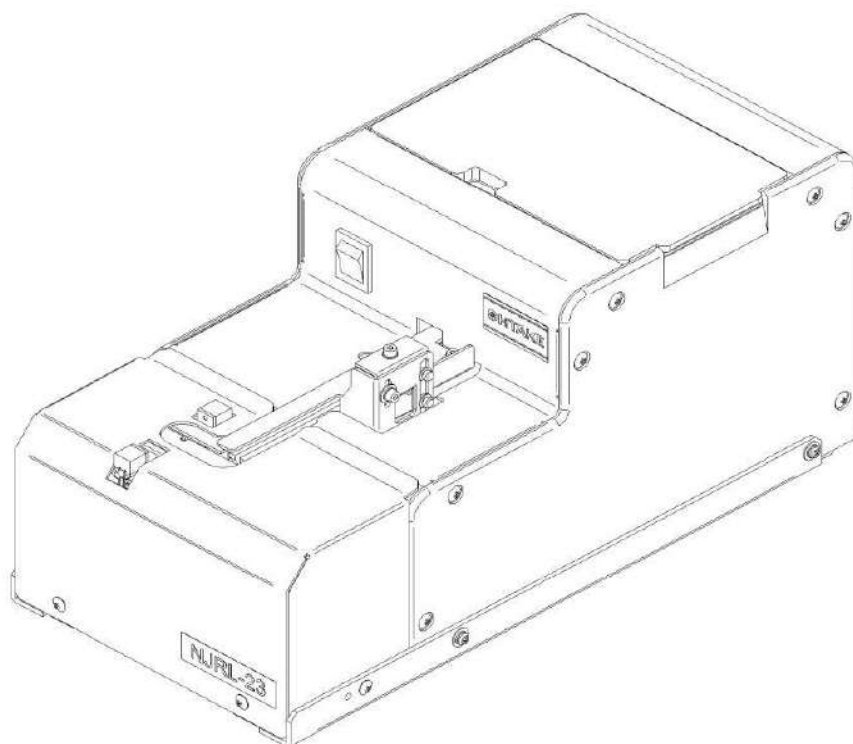
OHTAKE**NJRL****OHTAKE automatic screw feeder NEJIKURA****NJRL-2320 / NJRL-2323 / NJRL-2326 / NJRL-2330 series****NJRL-4535 / NJRL-4540 / NJRL-4550 series**

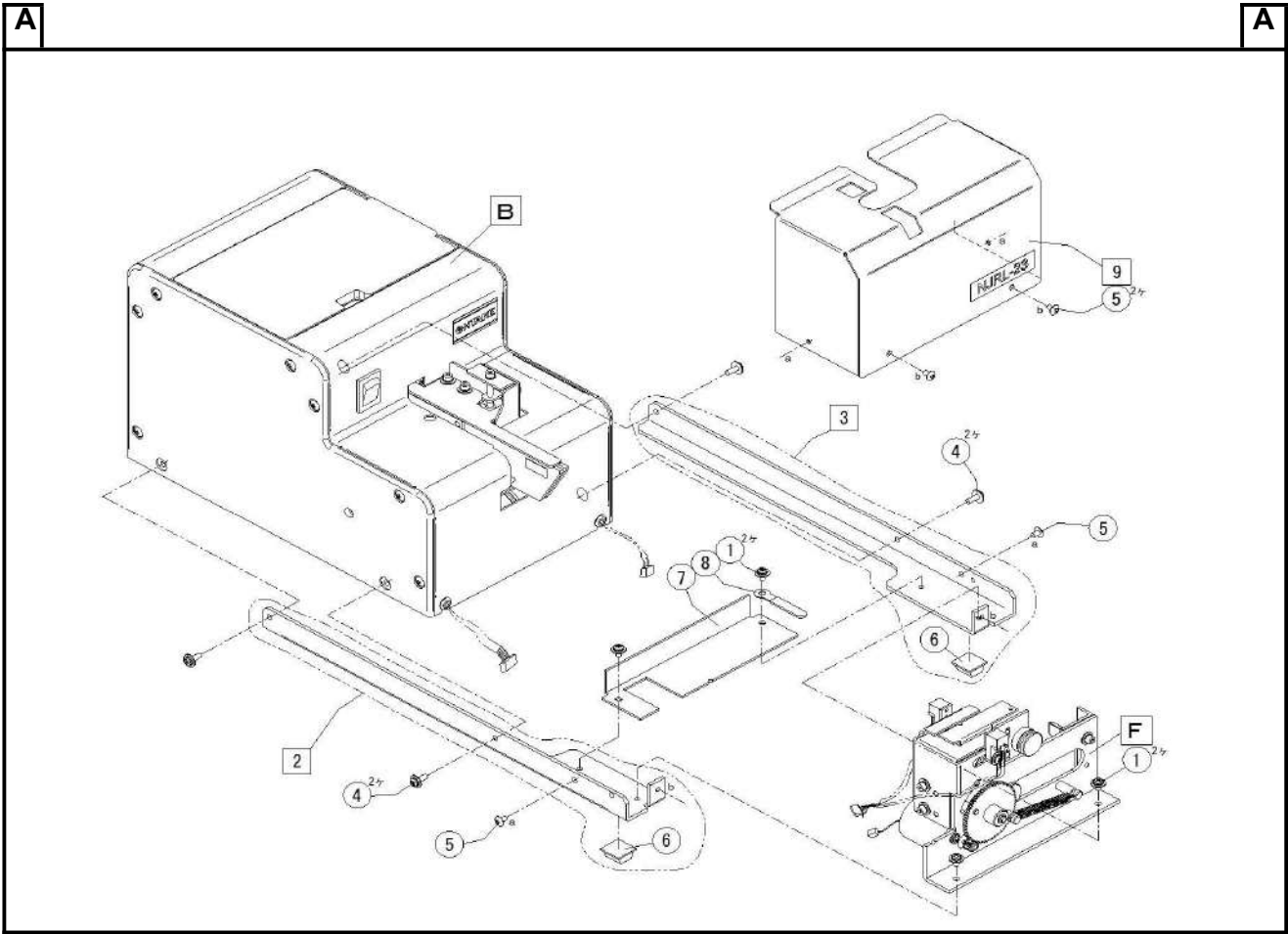
© DOGA DOC.60474.10/22

IMPORTANT

- Parts would be delivered in the minimum order quantity base.
- Some components are supplied only as assemblies.
- The components assembly might be reviewed without any notice.
- The minimum order quantities are indicated in the item descriptions.
- Any variations and upgrades in the designs of the product change without notice.

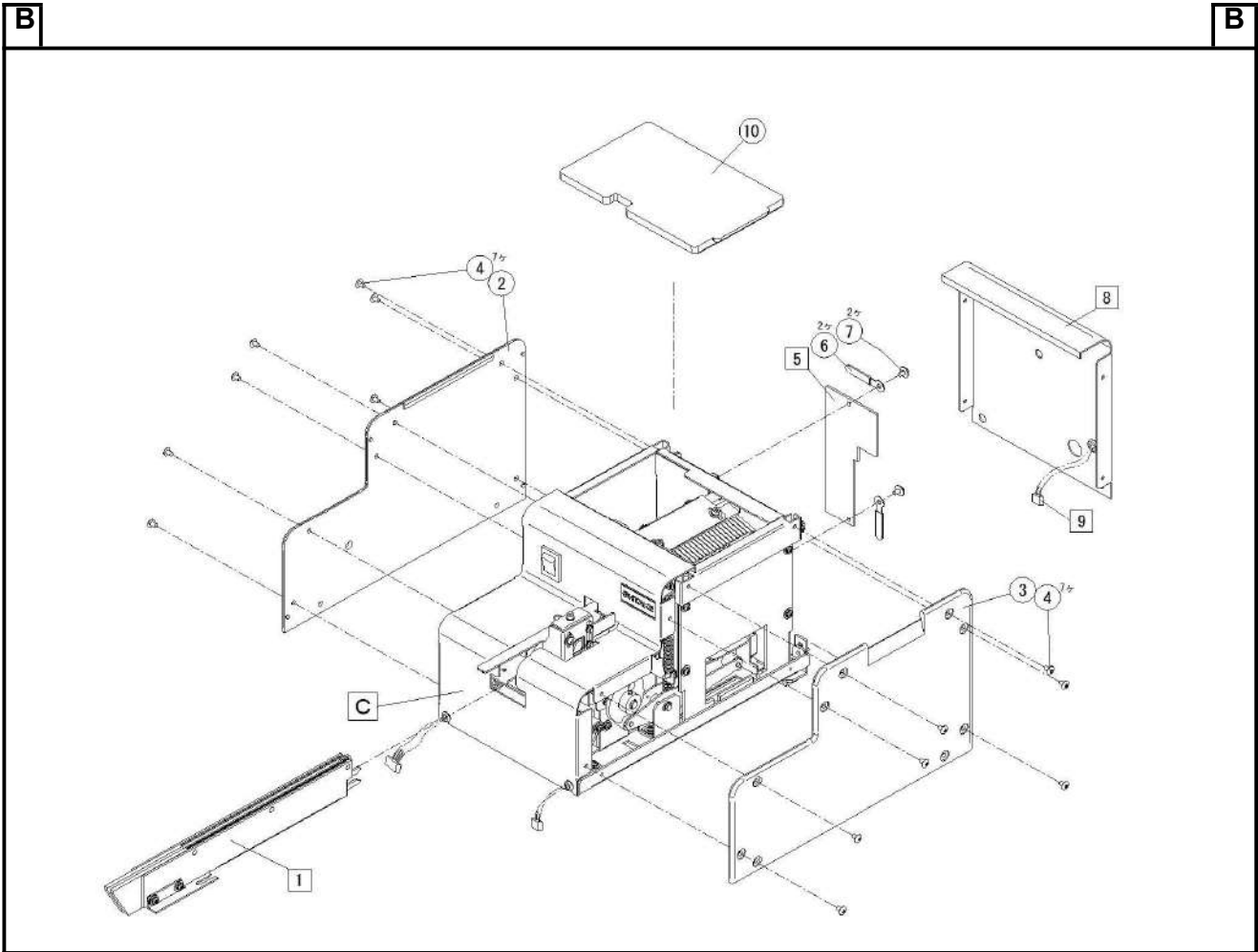
OVERVIEW





No.	Part Number	Name of Part	Q'ty used per set	Minimum q'ty packaging	
B	-	Main Body B: NJRL(Model Mix ver)	1	-	
F	NJ00079#03	Escaper Assy(C) M2.0	Each Nominal	1	
	NJ00079#04	Escaper Assy(C) M2.3		1	
	NJ00079#05	Escaper Assy(C) M2.6		1	
	NJ00079#06	Escaper Assy(C) M3.0		1	
	NJ00079#07	Escaper Assy(C) M3.5		1	
	NJ00079#08	Escaper Assy(C) M4.0		1	
	NJ00079#09	Escaper Assy(C) M5.0		1	
	※2 NJ00044#03	Escaper Assy M2.0		Each Nominal	1
	※2 NJ00044#04	Escaper Assy M2.3			1
	※2 NJ00044#05	Escaper Assy M2.6	1		
	※2 NJ00044#06	Escaper Assy M3.0	1		
	※2 NJ00044#07	Escaper Assy M3.5	1		
	※2 NJ00044#08	Escaper Assy M4.0	1		
	1	ZZM00028	Pan Head Screw PW,SW M2.6*5 (10pcs)	4	1
2	NJ11054	Escaper Base Left	1	1	
	※2 NJ06500	Escaper Base Left	1	1	
3	NJ11055	Escaper Base Right	1	1	
	※2 NJ06501	Escaper Base Right	1	1	
4	ZZM00068	Pan Head Screw PW,SW M2.6*8 Ni (10pcs)	4	1	
5	ZZM00160	Plus Truss Head Screw M2.6*4 Ni (10pcs)	4	1	
6	TM-166-18	Bumper	2	1	
	※2 TM-166-8	Bumper	2	1	
7	NJ06537	Reinforcing Plate(C)	1	1	
8	CS-9	Coated Clip(10pcs)	1	1	
9	NJR08116#03	Escaper Cover Assy(Model Mix ver) (23)(With Sticker)	Each Nominal	1	
	NJR08116#04	Escaper Cover Assy(Model Mix ver) (45)(With Sticker)		1	
	※2 NJR00073#03	Escaper Cover Assy (23) (With Sticker)	Each Nominal	1	
	※2 NJR00073#04	Escaper Cover Assy (45) (With Sticker)		1	

※2 Before Sept. 2017 (for 5 years).

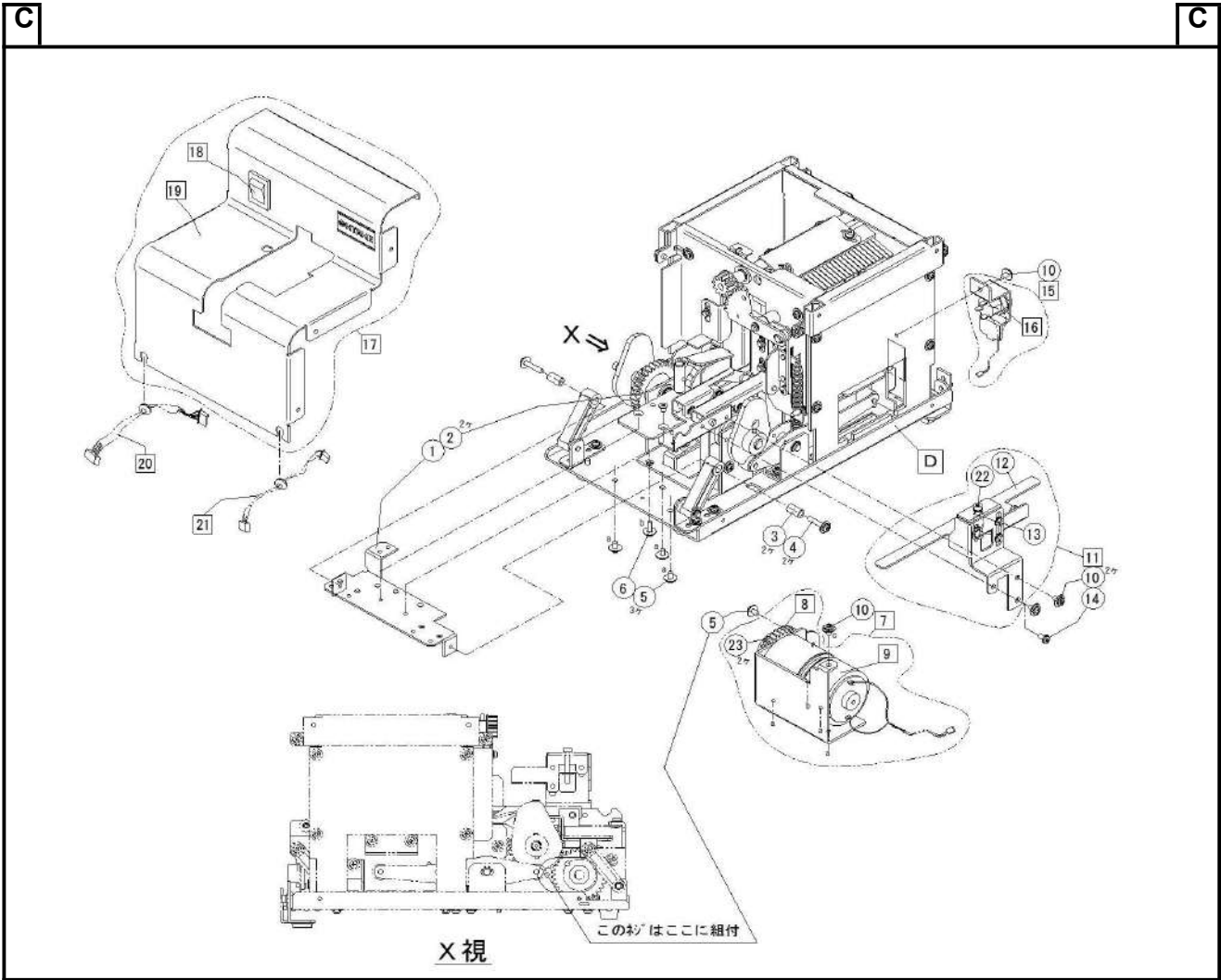


No.	Part Number	Name of Part	Q'ty used per set	Minimum q'ty packaging
C	-	Main Body C	1	-
1	※3 RRL20SET	Exchange Kit M2.0	Each Nominal	1
	※3 RRL23SET	Exchange Kit M2.3		1
	※3 RRL26SET	Exchange Kit M2.6		1
	※3 RRL30SET	Exchange Kit M3.0		1
	※3 RRL35SET	Exchange Kit M3.5		1
	※3 RRL40SET	Exchange Kit M4.0		1
	※3 RRL50SET	Exchange Kit M5.0		1
2	NJ08013	Left Side Cover	1	1
3	NJ08014	Right Side Cover	1	1
4	ZZM00160	Plus Truss Head Screw M2.6*4 Ni (10pcs)	14	1
5	ZPV0001#02	Main Circuit Board For NJR	1	1
6	CS-9	Coated Clip(10pcs)	2	1
7	ZZM00029	Pan Head Screw PW,SW M2.6*6 (10pcs)	2	1
8	NJ00082#01	Rear Cover Assy(Model Mix ver) (23)	Each Nominal	1
	NJ00082#02	Rear Cover Assy(Model Mix ver) (45)		1
	※2 NJ00048#01	Rear Cover Assy (23)	Each Nominal	1
	※2 NJ00048#03	Rear Cover Assy (45)		1
9	NJ09781#09	Signal Harness	1	1
	※2 NJR09581#07	Signal Harness	1	1
10	NJ08015	Upper Cover	1	1

※1 Please contact us for further details.

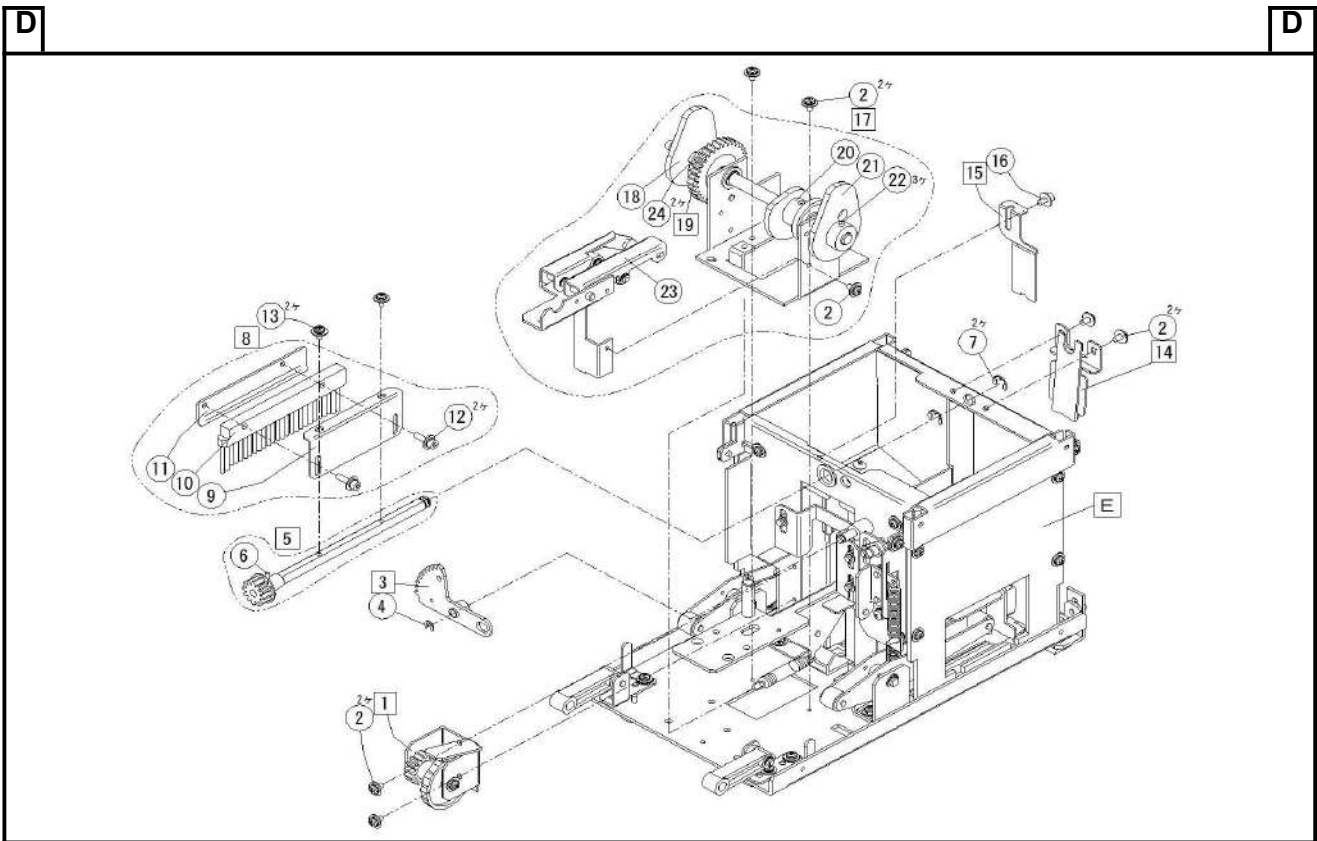
※2 Before Sept. 2017 (for 5 years).

※3 Breakdown of the Exchange Kit (Rail, Passing Plate, Escaper).



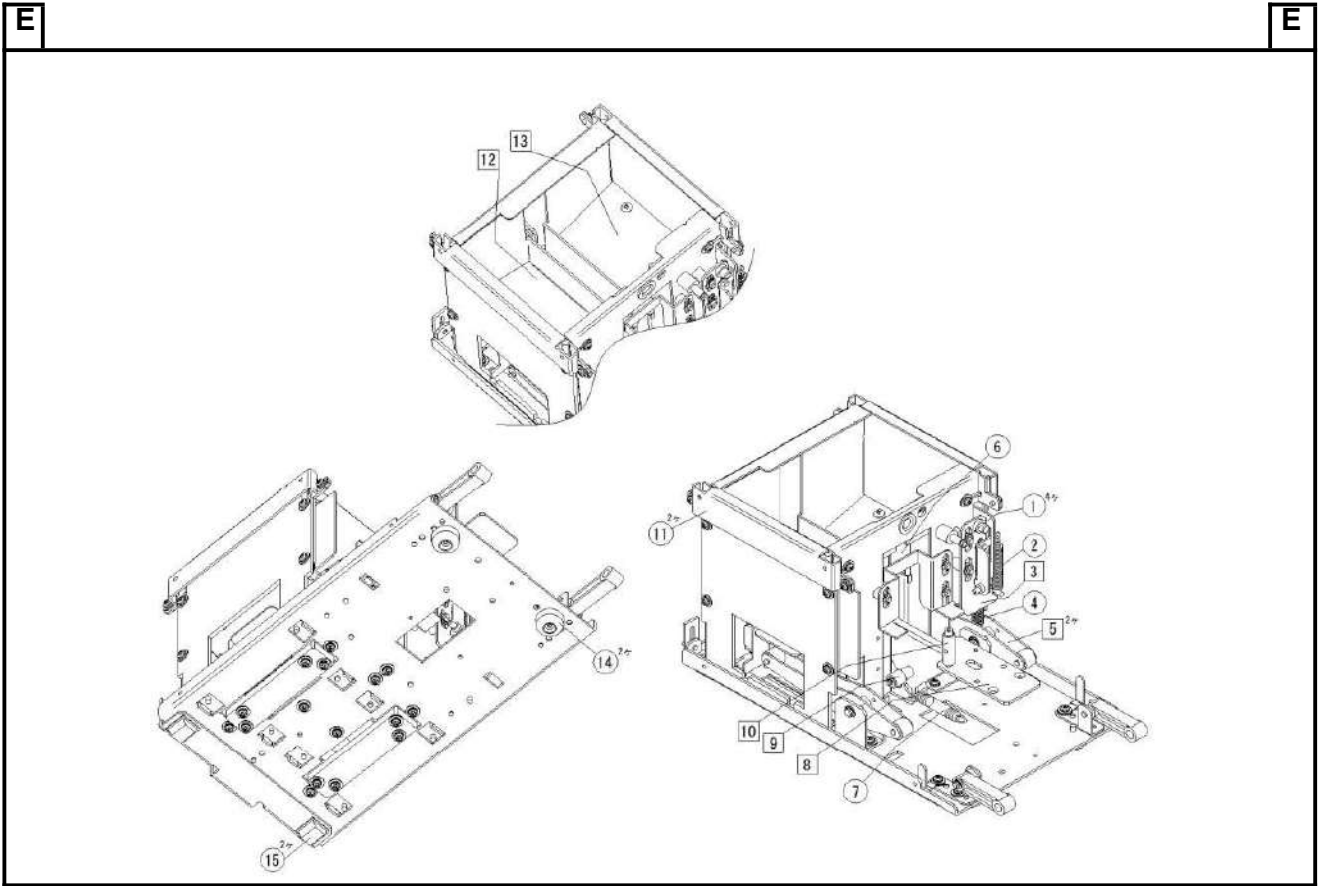
No.	Part Number	Name of Part	Q'ty used per set	Minimum q'ty packaging
D	-	Main Body D	1	-
1	NJ03034	Rail Holder #2	1	1
2	ZZM00099	Plus Countersunk Head Screw M2.6*4 (10pcs)	2	1
3	ZZM00584	Brass Spacer	2	1
4	ZZM00033	Pan Head Screw PW,SW M2.6*14 (10pcs)	2	1
5	ZZM00054	Pan Head Screw PW,SW M2.6*5	4	1
6	ZZM00055	Pan Head Screw PW,SW M2.6*8	1	1
7	NJ04501	Driving Motor Assy	1	1
8	NJ04013	Driving Gear #1	1	1
9	NJR09582#08	Main Motor (With Harness)	1	1
10	ZZM00028	Pan Head Screw PW,SW M2.6*5 (10pcs)	4	1
11	NJ05001#03	Bit Guide Assy	1	1
12	NJ05022	Screw Guide #1	1	1
13	TPO00809	Compression Spring	1	1
14	ZZM00074	Pan Head Screw SW M2.6*5 (10pcs)	1	1
15	NJ00076#02	DC Jack Assy:NJR	1	1
	※2 NJ02003	DC Jack Assy	1	1
16	NJ09589#02	POWER Plug (With Harness)	1	1
	※2 NJR09582#04	POWER Plug (With Harness)	1	1
17	NJ02008	Front Cover Assy (With Sticker)	1	1
18	NJR09582#03	Power Switch (With Harness)	1	1
19	NJR08113	Front Cover Assy (With Sticker)	1	1
20	NJR09581#02	Front Sensor Junction Cable	1	1
21	NJR09581#05	Escaper Motor Junction Cable	1	1
22	ZZM00188	Hex. Socket Head Bolt M2.6*20 (10pcs)	1	1
23	ZZM00388	Hex. Socket Head Screw M4*8	2	1

※2 Before Sept. 2017 (for 5 years).



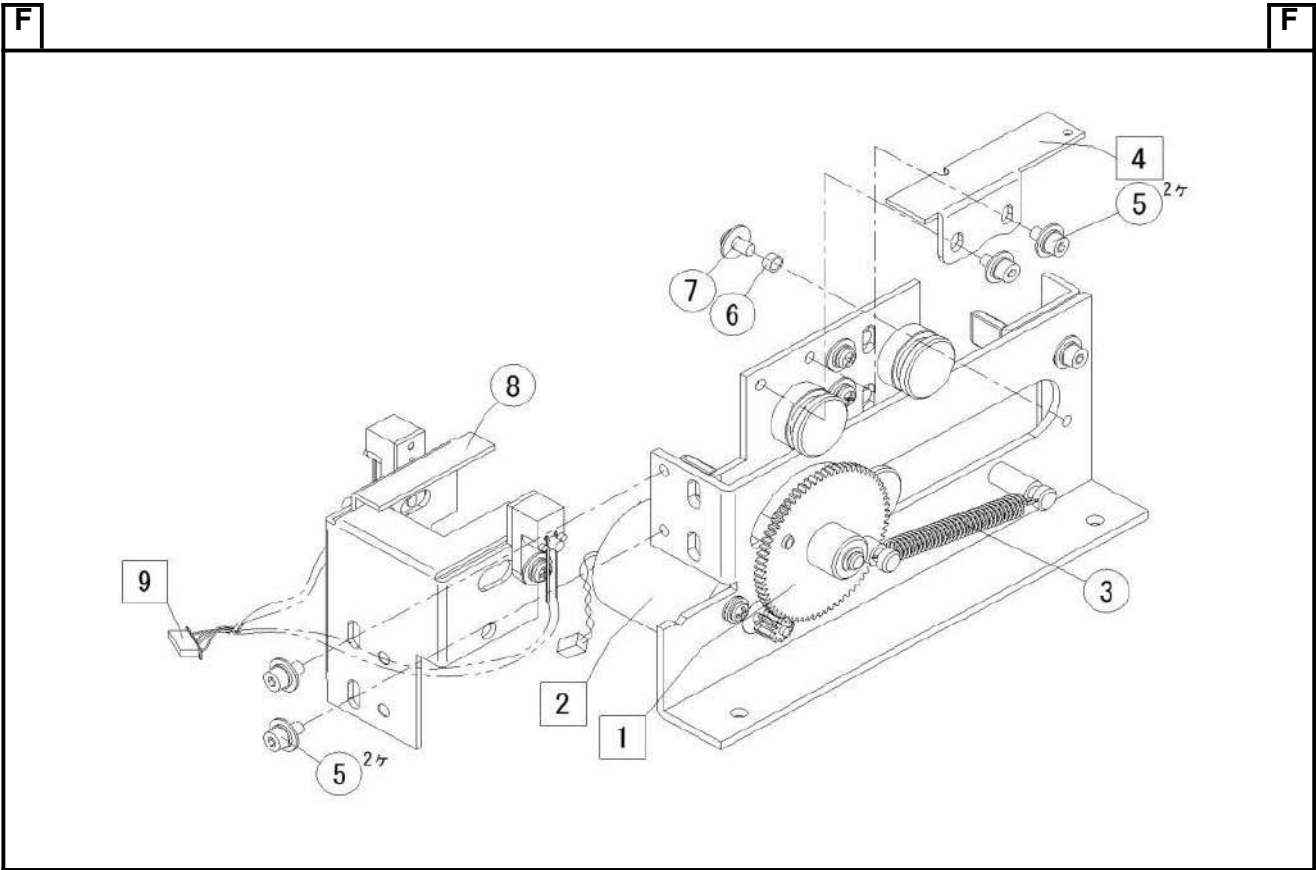
No.	Part Number	Name of Part	Q'ty used per set	Minimum q'ty packaging
E	-	Main Body E	1	-
1	NJ21040#01	Vibration Cam Assy (23)	Each Nominal	1
	NJ21040#02	Vibration Cam Assy (45)		1
2	ZZM00028	Pan Head Screw PW,SW M2.6*5 (10pcs)	7	1
3	NJ11053	Brush Driving Gear	1	1
	※2 NJ02023	Brush Driving Gear 1	1	1
4	ZZM00510	E-Type Snap Ring E-3 (10pcs)	1	1
5	NJ02004	Brush Driving Shaft Assy	1	1
6	ZZM00557	Spring Pin 2*16 (10pcs)	1	1
7	ZZM00512	E-Type Snap Ring E-5 (10pcs)	2	1
8	NJB0040	BRUSH Assy	1	1
9	NJ02038	Brush Bracket #1	1	1
10	NJ02039#01	Brush	1	1
11	NJ11047	BRUSH BRACKET	1	1
12	ZZM01008	Hex. Socket Head Bolt PW,SW M2.6*10 (10pcs)	2	1
13	ZZM00067	Pan Head Screw PW,SW M2.6*5 Ni (10pcs)	2	1
14	NJ20012	Closing Plate:M23	Each Nominal	1
	NJ20011	Closing Plate:M45		1
15	NJ21046#01	Passing Plate #1 Assy M2.0:WL2320	Each Nominal	1
	NJ21046#02	Passing Plate #1 Assy M2.3:WL2323		1
	NJ21046#03	Passing Plate #1 Assy M2.6:WL2326		1
	NJ21046#04	Passing Plate #1 Assy M3.0:WL2330		1
	NJ21046#05	Passing Plate #1 Assy M3.5:WL4540		1
	NJ21046#06	Passing Plate #1 Assy M4.0:WL4540		1
	NJ21046#07	Passing Plate #1 Assy M5.0:WL4550		1
16	ZZM00261	Hex. Socket Head Bolt PW,SW M2.6*5 (10pcs)	1	1
17	NJ04000#02	Driving Shaft Bracket Assy	1	1
18	NJ04014	Driving Cam - Left	1	1
19	NJ04013	Driving Gear #1	1	1
20	NJ04016	Shutter Cam	1	1
21	NJ04015	Driving Cam - Right	1	1
22	ZZM00559	Spring Pin 2.5*16 (10pcs)	3	1
23	NJ04004	Brush Link Assy	1	1
24	ZZM00388	Hex. Socket Head Screw M4*8	2	1

※2 Before Sept. 2017 (for 5 years).



No.	Part Number	Name of Part	Q'ty used per set	Minimum q'ty packaging
1	ZZM00628	Polvurethan Slider/STW-FT45/4.6X7.2X10.13 (10pcs)	4	1
2	NJ11044	TENSION SPRING	1	1
3	NJ11051	Slide Plate #1	1	1
	※2 NJ02026	Slide Plate #1	1	1
4	NJ02041#01	Extension Spring	1	1
5	NJ03002	Driving Link Plate Assy	2	1
6	NJ01029	Passing Plate #2:M3	Each Nominal	1
	NJ01031	Passing Plate #2:M5		1
7	NJ03055	Vibration Spring	1	1
8	NJ03007	Rail Holder #1 Assy	1	1
9	NJ03032	Vibration Roller	1	1
10	NJ03033	Fixing Bolt	1	1
11	NJ02042	Cover Bracket	2	1
12	NJB0010	HOPPER LEFT	1	1
	※2 NJ01000#02	Hopper Left Assy	1	1
13	NJB0020	HOPPER RIGHT	1	1
	※2 NJ01001#02	Hopper Right Assy	1	1
14	TK-15	Rubber Foot	2	1
	※2 K11W	Rubber Foot	2	1
15	TM-166-18	Bumper	2	1
	※2 TM-166-8	Bumper	2	1

※2 Before Sept. 2017 (for 5 years).



No.	Part Number	Name of Part	Q'ty used per set	Minimum q'ty packaging
1	NJ06515	Driving Gear (Escaper)	1	1
2	NJ06643	NJR Escaper Motor (With Harness)(C)	1	1
	※2 NJR09582#06	Escaper Motor (With Harness)	1	1
3	NJ06535	Extension Spring	1	1
4	NJR06506#03	Escaper:20 M2.0:E20	Each Nominal	1
	NJR06506#04	Escaper:23 M2.3:E23		1
	NJR06506#05	Escaper:26 M2.6:E26		1
	NJR06506#06	Escaper:30 M3.0:E30		1
	NJR06506#07	Escaper:35 M3.5:E35		1
	NJR06506#08	Escaper:40 M4.0:E40		1
	NJR06506#09	Escaper:50 M5.0:E50		1
5	ZZM00261	Hex. Socket Head Bolt PW,SW M2.6*5 (10pcs)	4	1
6	ZZM01080	Coil Bushing 2.6*2	1	1
7	ZZM00028	Pan Head Screw PW,SW M2.6*5 (10pcs)	1	1
8	NJ06530	Bolt Plate	1	1
9	NJR09582#01	Front Sensor (With Harness)	1	1

※2 Before Sept. 2017 (for 5 years).

ACCESSORIES

No.	Part Number	Name of Part	Q'ty used per set	Min.Order Q'ty
1	UNI315-1510(P)	UNI315-1510 AC Adapter DC15V with PSE	Anyone	1
	UI315-15(CCC)	UI315-15 AC Adapter DC15V with CCC		1
	UI315-15(KC)	UI315-15 AC Adapter DC15V with KC		1
	UNI315-1510(U)	UNI315-1510 AC Adapter DC15V with UL		1
	※4 UNI315-1510(C)	UNI315-1510 AC Adapter DC15V with CE		1
2	WRENCH-M2.0	Allen Wrench	1	1
3	NSN08201	Driver	1	1
4	TPO21202	Ground Wire	1	1
5	NJR1MA02	Operation Manual NJR Series	1	1
	※5 NJR1MA01	Operation Manual NJR Series	1	1

※4 The AC adapter uses CE certified products.

※5 Before Sept. 2017 (Please download from our homepage).