



## Parts list & exploded view

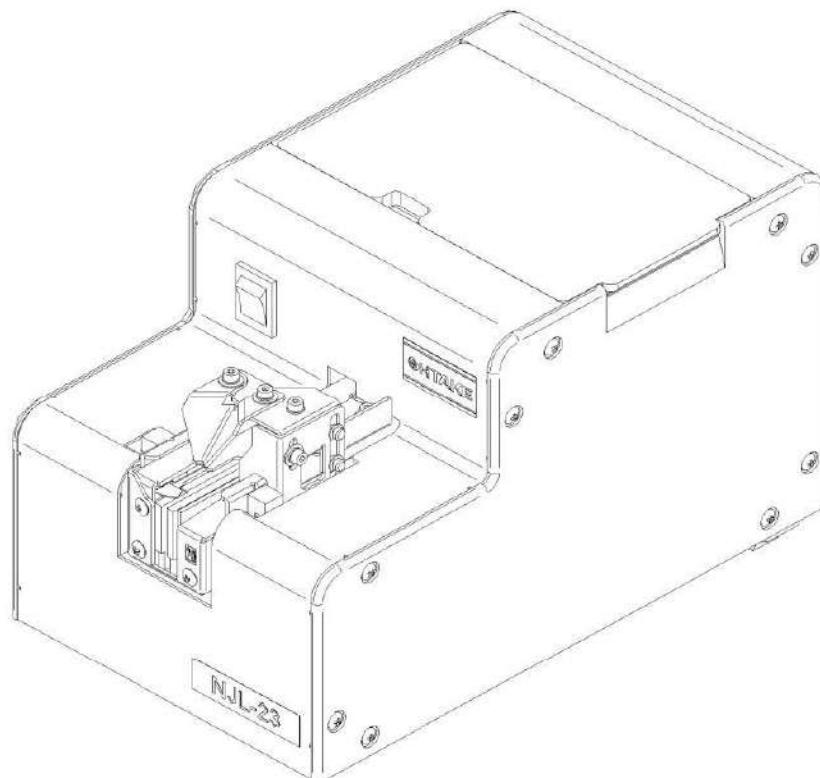
**OHTAKE****OHTAKE automatic screw feeder NEJIKURA****NJL-2320 / NJL-2323 / NJL-2326 / NJL2330 series****NJL-4535 / NJL-4540 / NJL-4550 series****NJL-23****NJL-45**

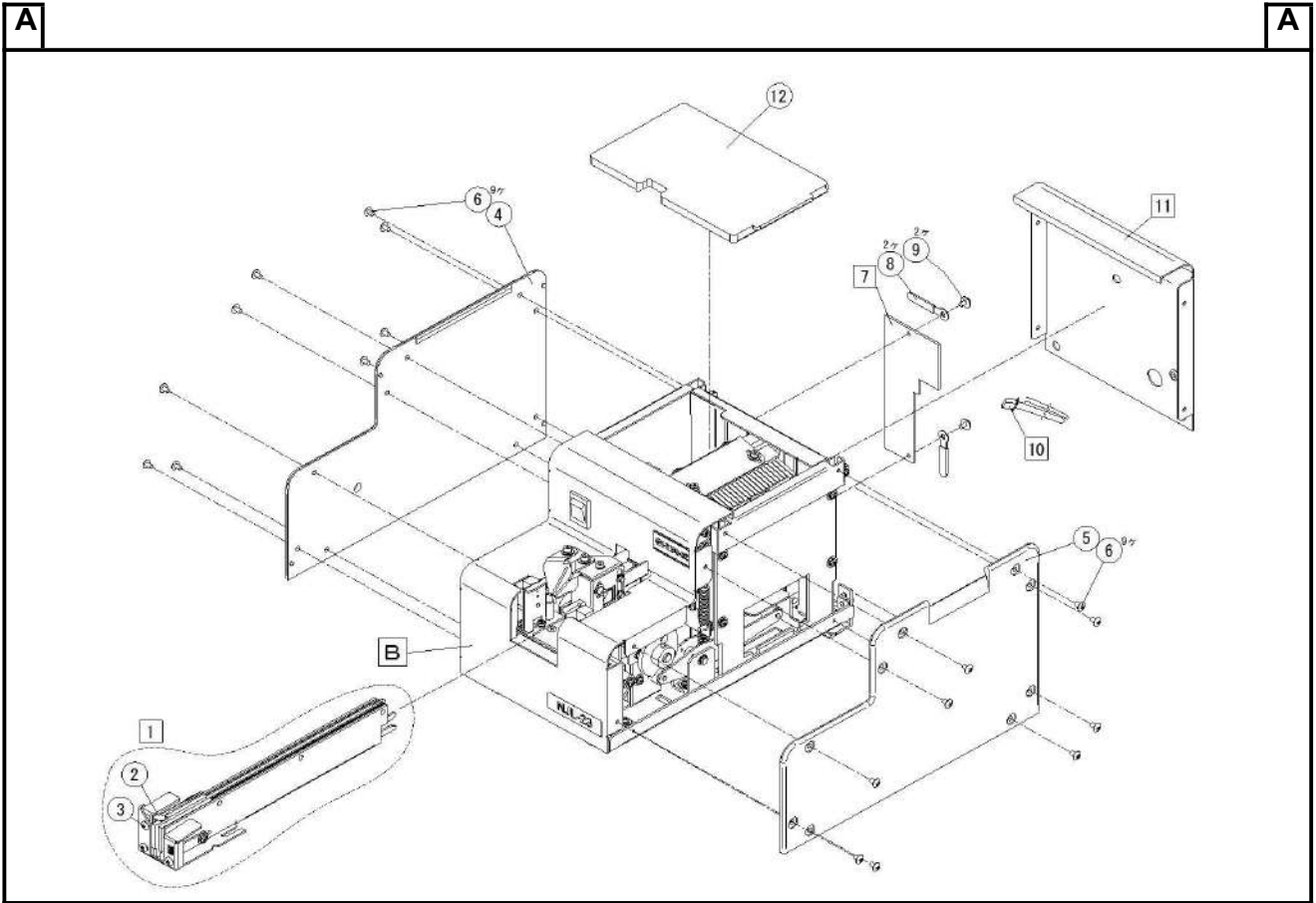
© DOGA DOC.60472.10/22

### IMPORTANT

- Parts would be delivered in the minimum order quantity base.
- Some components are supplied only as assemblies.
- The components assembly might be reviewed without any notice.
- The minimum order quantities are indicated in the item descriptions.
- Any variations and upgrades in the designs of the product change without notice.

### OVERVIEW





No.	Part Number	Name of Part	Q'ty used per set	Minimum q'ty packaging
B	-	Main Body B:(Model Mix ver)	1	-
1	※3 RL20SET	Exchange Kit M2.0	Each Nominal	1
	※3 RL23SET	Exchange Kit M2.3		1
	※3 RL26SET	Exchange Kit M2.6		1
	※3 RL30SET	Exchange Kit M3.0		1
	※3 RL35SET	Exchange Kit M3.5		1
	※3 RL40SET	Exchange Kit M4.0		1
	※3 RL50SET	Exchange Kit M5.0		1
2	NJ20020	Stopper	1	1
3	ZZM00159	Plus Truss Head Screw M2.6*3 Ni (10pcs)	1	1
4	NJ08013	Left Side Cover	1	1
5	NJ08014	Right Side Cover	1	1
6	ZZM00160	Plus Truss Head Screw M2.6*4 Ni (10pcs)	18	1
7	ZPV00001#01	Main Circuit Board For NJ-NSB	1	1
8	CS-9	Coated Clip(10pcs)	2	1
9	ZZM00029	Pan Head Screw PW,SW M2.6*6 (10pcs)	2	1
10	NJ09781#09	Signal Harness	1	1
11	NJ00082#01	Rear Cover Assy(Model Mix ver) (23)	Each Nominal	1
	NJ00082#02	Rear Cover Assy(Model Mix ver) (45)		1
	※2 NJ00048#01	Rear Cover Assy (23)	Each Nominal	1
	※2 NJ00048#03	Rear Cover Assy (45)		1
12	NJ08015	Upper Cover	1	1

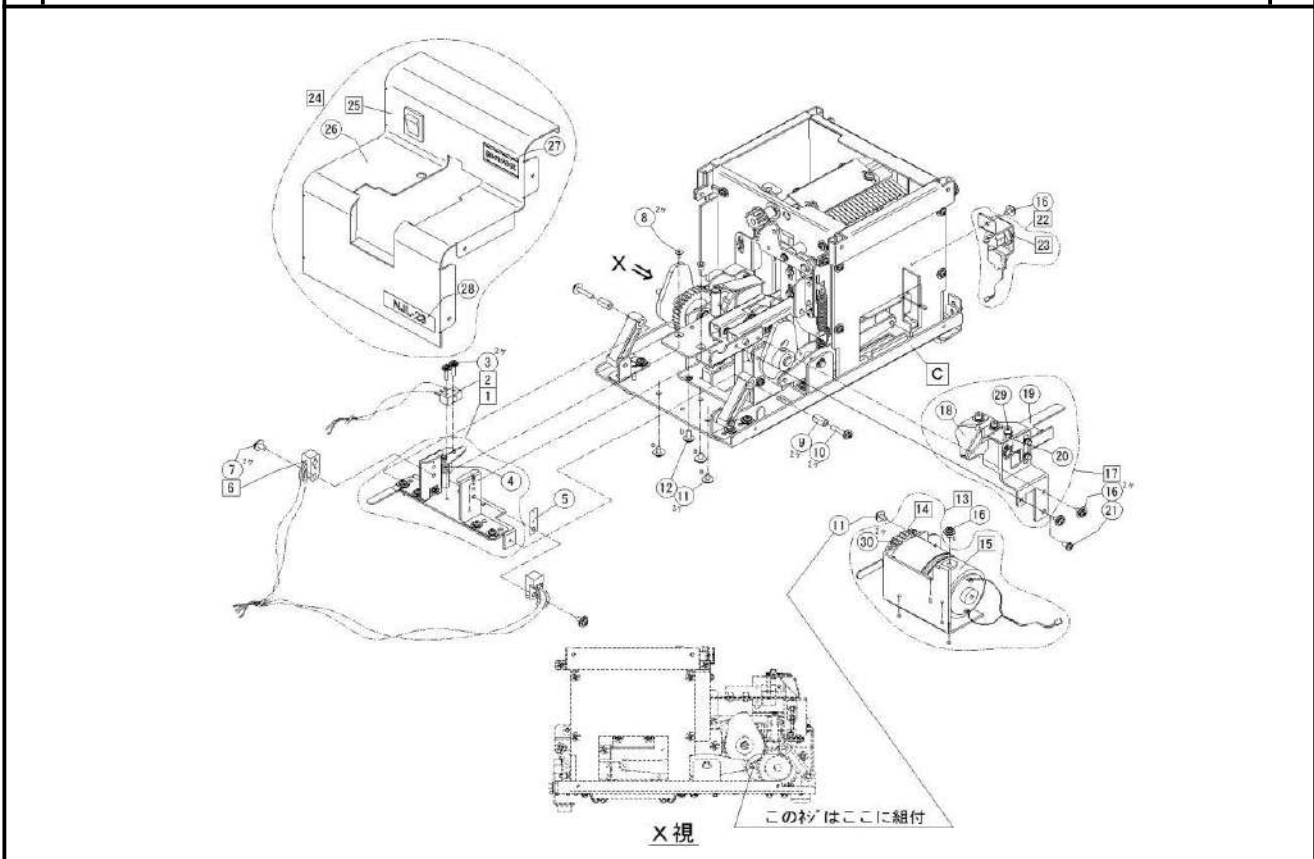
※1 Please contact us for further details.

※2 Before Sept. 2017 (for 5 years).

※3 Breakdown of the Exchange Kit ( Rail,Passing Plate).

B

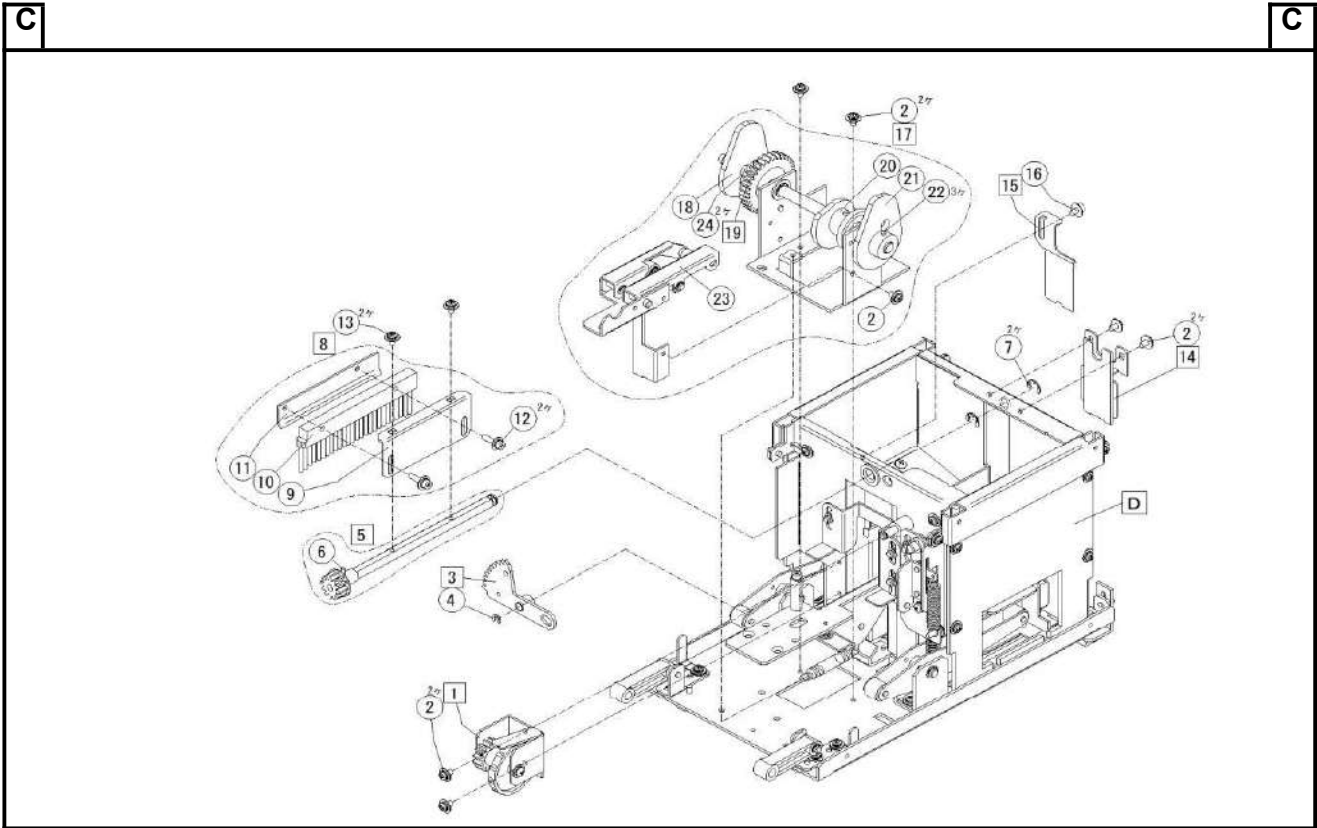
B



No.	Part Number	Name of Part	Q'ty used per set	Minimum q'ty packaging
C	-	Main Body C	1	-
1	NJ21041	Rail Holder #2 Assy	1	1
2	NJ09582#01	Take-Out Sensor (With Harness)	1	1
3	ZZM00021	Pan Head Screw PW,SW M2*10 (10pcs)	2	1
4	NJ03047	Switch Link Spring	1	1
5	NSR08621	Light Receiver Slit Plate	1	1
6	NJ09582#02	Front Sensor (With Harness)	1	1
7	ZZM00029	Pan Head Screw PW,SW M2.6*6 (10pcs)	2	1
8	ZZM00099	Plus Countersunk Head Screw M2.6*4 (10pcs)	2	1
9	ZZM00584	Brass Spacer	2	1
10	ZZM00033	Pan Head Screw PW,SW M2.6*14 (10pcs)	2	1
11	ZZM00054	Pan Head Screw PW,SW M2.6*5	4	1
12	ZZM00055	Pan Head Screw PW,SW M2.6*8	1	1
13	NJ04500#01	Driving Motor Assy	1	1
14	NJ04013	Driving Gear #1	1	1
15	NJ09582#05	Main Motor (With Harness)	1	1
16	ZZM00028	Pan Head Screw PW,SW M2.6*5 (10pcs)	4	1
17	NJ05001#02	Bit Guide Assy	1	1
18	NJ05016	Bit Guide	1	1
19	NJ05015	Screw Guide #1	1	1
20	TPO00809	Compression Spring	1	1
21	ZZM00074	Pan Head Screw SW M2.6*5 (10pcs)	1	1
22	NJ00076#01	DC Jack Assy:NJ	1	1
	※2 NJ02003	DC Jack Assy	1	1
23	NJ09589#01	POWER Plug (With Harness)	1	1
	※2 NJ09582#04	POWER Plug (With Harness)	1	1
24	NJ21047#01	Front Cover Assy (23)(With Sticker)	Each Nominal	1
	NJ21047#02	Front Cover Assy (45)(With Sticker)		1
25	NJ09582#03	Power Switch (With Harness)	1	1
26	NJ08011	Front Cover	1	1
27	ZDE00001	Logo Sticker	1	1

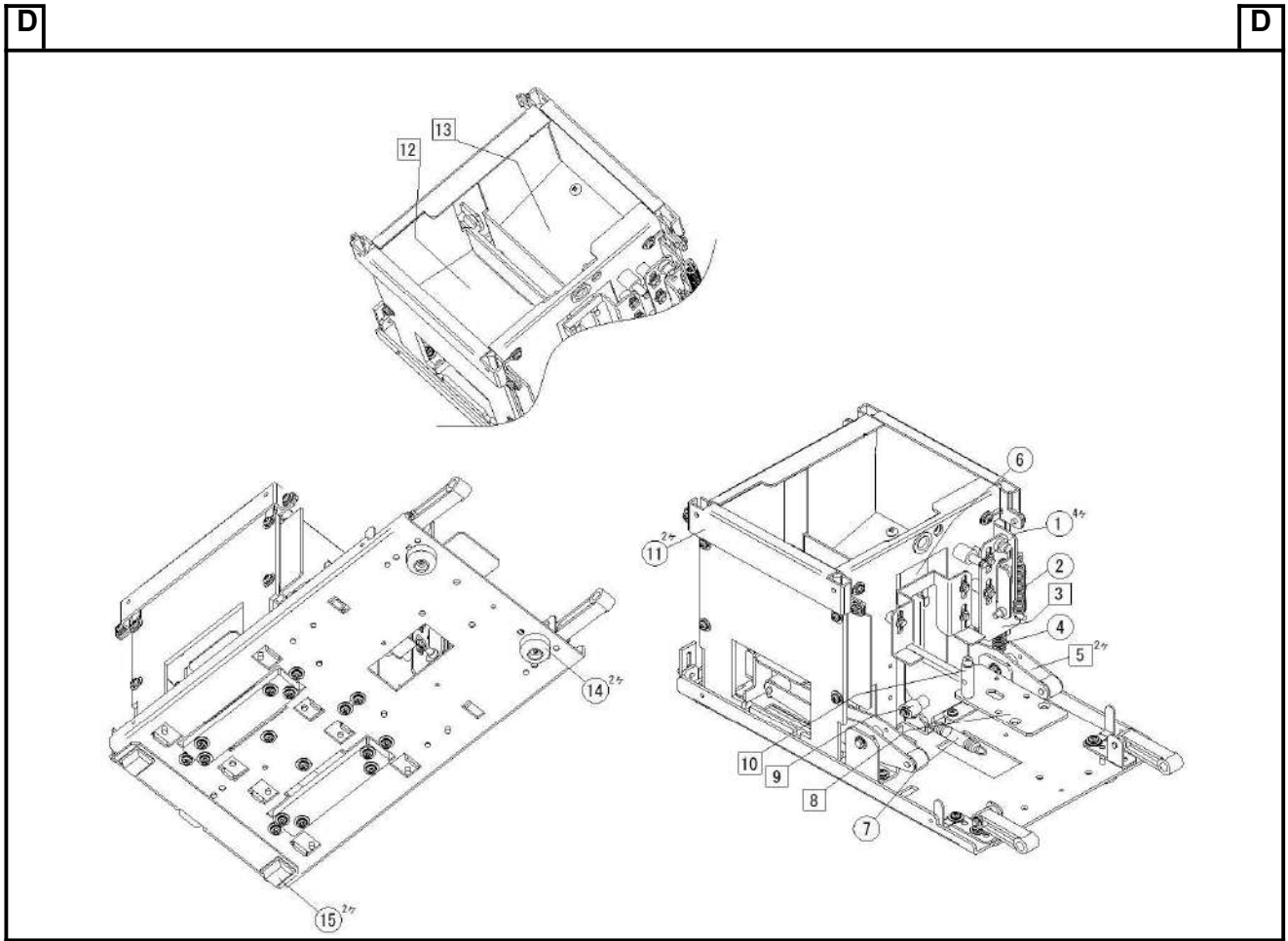
28	ZDE00012#01	Sticker:NJL-23	Each Nominal	1
	ZDE00012#03	Sticker:NJL-45		1
29	ZZM00188	Hex. Socket Head Bolt M2.6*20 (10pcs)	1	1
30	ZZM00388	Hex. Socket Head Screw M4*8	2	1
		Loosening Prevention (10pcs)		

※2 Before Sept. 2017 (for 5 years).



No.	Part Number	Name of Part	Q'ty used per set	Minimum q'ty packaging
D	-	Main Body D	1	-
1	NJ21040#01	Vibration Cam Assy (23)	Each	1
	NJ21040#02	Vibration Cam Assy (45)		1
2	ZZM00028	Pan Head Screw PW,SW M2.6*5 (10pcs)	7	1
3	NJ11053	Brush Driving Gear	1	1
	※2 NJ02023	Brush Driving Gear 1	1	1
4	ZZM00510	E-Type Snap Ring E-3 (10pcs)	1	1
5	NJ02004	Brush Driving Shaft Assy	1	1
6	ZZM00557	Spring Pin 2*16 (10pcs)	1	1
7	ZZM00512	E-Type Snap Ring E-5 (10pcs)	2	1
8	NJB0040	BRUSH Assy	1	1
9	NJ02038	Brush Bracket #1	1	1
10	NJ02039#01	Brush	1	1
11	NJ11047	BRUSH BRACKET	1	1
12	ZZM01008	Hex. Socket Head Bolt PW,SW M2.6*10 (10pcs)	2	1
13	ZZM00067	Pan Head Screw PW,SW M2.6*5 Ni (10pcs)	2	1
14	NJ20012	Closing Plate:M23	Each	1
	NJ20011	Closing Plate:M45		1
15	NJ21046#01	Passing Plate #1 Assy M2.0:WL2320	Each Nominal	1
	NJ21046#02	Passing Plate #1 Assy M2.3:WL2323		1
	NJ21046#03	Passing Plate #1 Assy M2.6:WL2326		1
	NJ21046#04	Passing Plate #1 Assy M3.0:WL2330		1
	NJ21046#05	Passing Plate #1 Assy M3.5:WL4540		1
	NJ21046#06	Passing Plate #1 Assy M4.0:WL4540		1
	NJ21046#07	Passing Plate #1 Assy M5.0:WL4550		1
16	ZZM00261	Hex. Socket Head Bolt PW,SW M2.6*5 (10pcs)	1	1
17	NJ04000#02	Driving Shaft Bracket Assy	1	1
18	NJ04014	Driving Cam - Left	1	1
19	NJ04013	Driving Gear #1	1	1
20	NJ04016	Shutter Cam	1	1
21	NJ04015	Driving Cam - Right	1	1
22	ZZM00559	Spring Pin 2.5*16 (10pcs)	3	1
23	NJ04004	Brush Link Assy	1	1
24	ZZM00388	Hex. Socket Head Screw M4*8	2	1

※2 Before Sept. 2017 (for 5 years).



No.	Part Number	Name of Part	Q'ty used per set	Minimum q'ty packaging
1	ZZM00628	Polyurethan Slider/STW-FT45/4.6X7.2Xt0.13 (10pcs)	4	1
2	NJ11044	TENSION SPRING	1	1
3	NJ11051	Slide Plate #1	1	1
	※2 NJ02026	Slide Plate #1	1	1
4	NJ02041#01	Extension Spring	1	1
5	NJ03002	Driving Link Plate Assy	2	1
6	NJ20014	Passing Plate #2:M23L	Each Nominal	1
	NJ20013	Passing Plate #2:M45L		1
7	NJ03055	Vibration Spring	1	1
8	NJ03007	Rail Holder #1 Assy	1	1
9	NJ03032	Vibration Roller	1	1
10	NJ03033	Fixing Bolt	1	1
11	NJ02042	Cover Bracket	2	1
12	NJB0010	HOPPER LEFT	1	1
	※2 NJ01000#02	Hopper Left Assy	1	1
13	NJB0020	HOPPER RIGHT	1	1
	※2 NJ01001#02	Hopper Right Assy	1	1
14	TK-15	Rubber Foot	2	1
	※2 K11W	Rubber Foot	2	1
15	TM-166-18	Bumper	2	1
	※2 TM-166-8	Bumper	2	1

※2 Before Sept. 2017 (for 5 years).

## ACCESSORIES

No.	Part Number	Name of Part	Q'ty used per set	Minimum q'ty packaging
1	UNI315-1510(PSE)	UNI315-1510 AC Adapter DC15V with PSE Cord	Anyone	1
	UI315-15(CCC)	UI315-15 AC Adapter DC15V with CCC Cord		1
	UI315-15(KC)	UI315-15 AC Adapter DC15V with KC Cord		1
	UNI315-1510(UL)	UNI315-1510 AC Adapter DC15V with UL Cord		1
	※4 UNI315-1510(CE)	UNI315-1510 AC Adapter DC15V with CE Cord		1
2	WRENCH-M2.0	Allen Wrench	1	1
3	NSN08201	Driver	1	1
4	TPO21202	Ground Wire	1	1
5	NJ1MA02	Operation Manual NJ Series	1	1
	※5 NJ1MA01	Operation Manual NJ Series	1	1

※4 The AC adapter uses CE certified products.

※5 Before Sept. 2017 (Please download from our homepage).

