



Parts list & exploded view

OHTAKE

OHTAKE automatic screw hopper NEJIKURA

NJ-80 / NJ-80F / SR-80 series

NJ-80 / 80F

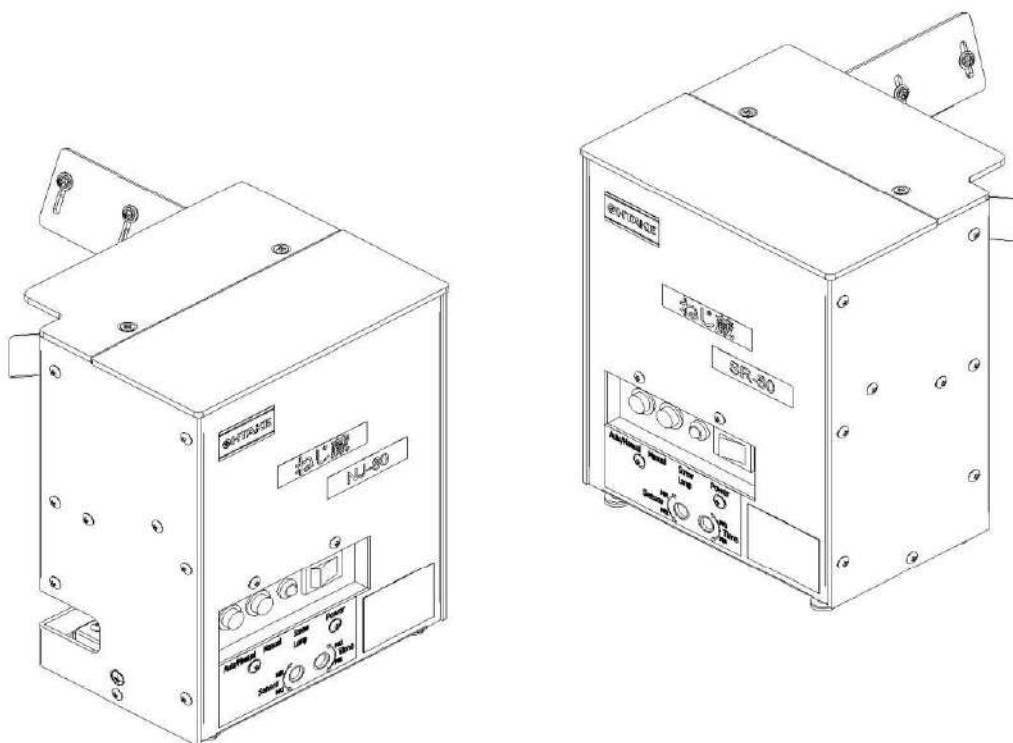
SR-80

© DOGA DOC.60471.10/22

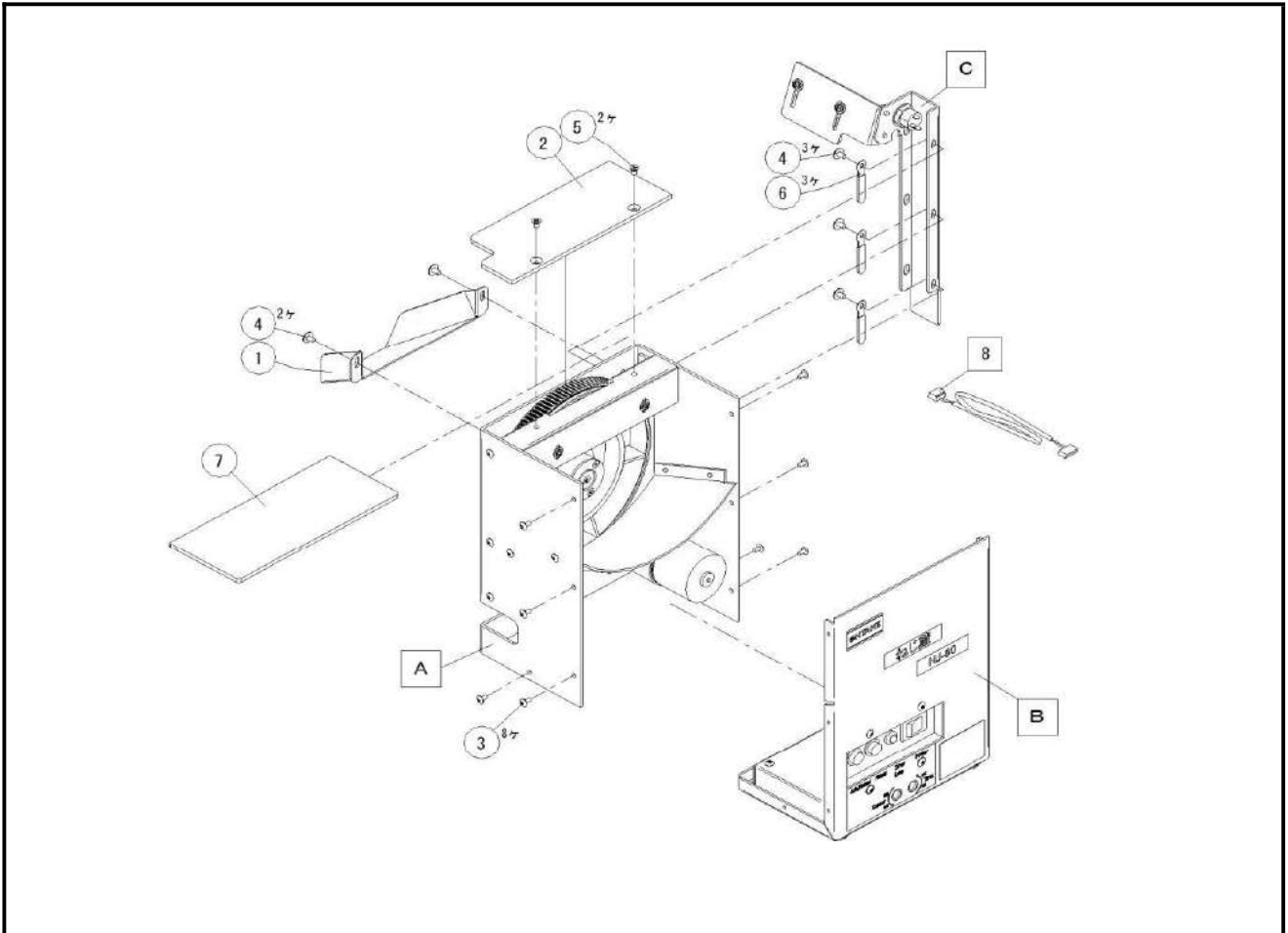
IMPORTANT

- Parts would be delivered in the minimum order quantity base.
- Some components are supplied only as assemblies.
- The components assembly might be reviewed without any notice.
- The minimum order quantities are indicated in the item descriptions.
- Any variations and upgrades in the designs of the product change without notice.

OVERVIEW



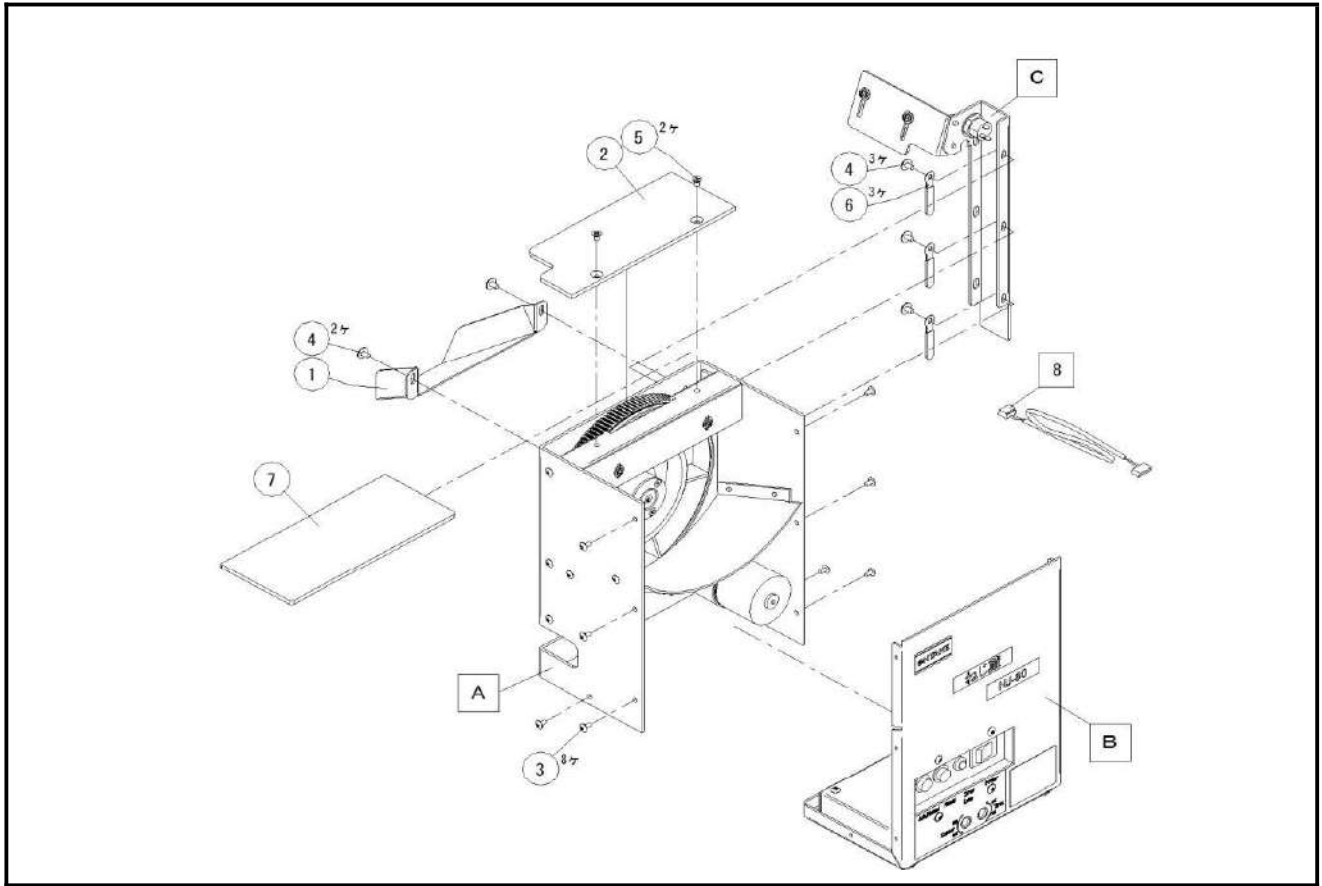
【 NJ-80/NJ-80F 】



No.	Part Number	Name of Part	Q'ty used per set	Minimum q'ty packaging
A	-	Main Assy	1	-
B	-	Control Assy	1	-
C	ON-0096d	Sensor Arm Assy	1	1
	※1 ON-0096c	Sensor Arm Assy	1	1
1	ON-0037	NJR-Type Screw Outlet Ramp	1	1
2	ON-0024	NJR-Type Outlet Ramp Cover	1	1
3	ZZM00161	Plus Truss Head Screw M2.6*5 Ni (10pcs)	8	1
4	ZZM00038	Pan Head Screw PW,SW M3*6 (10pcs)	5	1
5	ZZM00104	Plus Countersunk Head Screw M3*5 (10pcs)	2	1
6	CS-9	Coated Clip(10pcs)	3	1
7	ON-0022	Hopper Top Cover	1	1
8	HSC09020#06	Distance Sensor Junction Cable	1	1

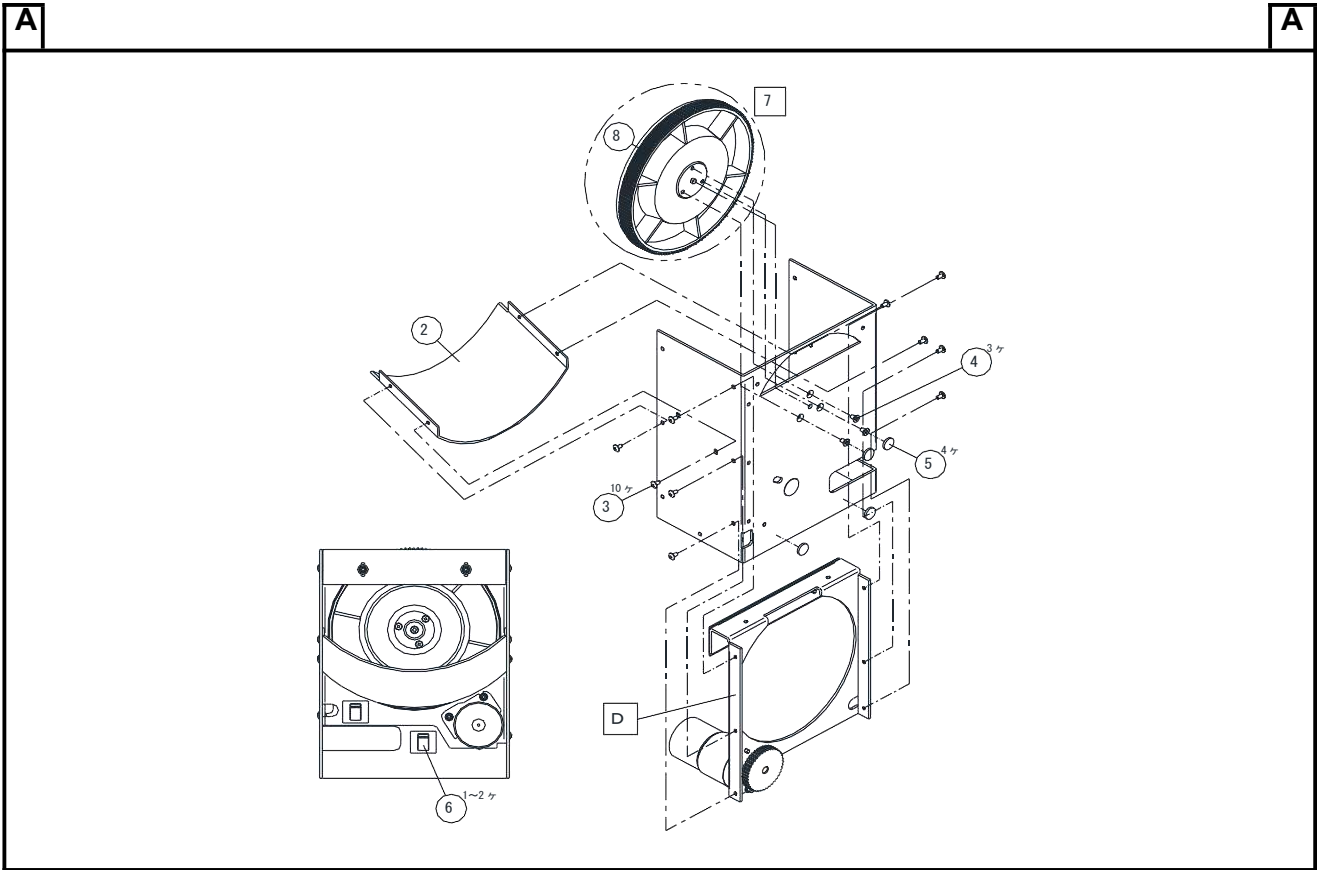
※1 The S/N starts with 1 (for 5 years).

【 SR-80 】



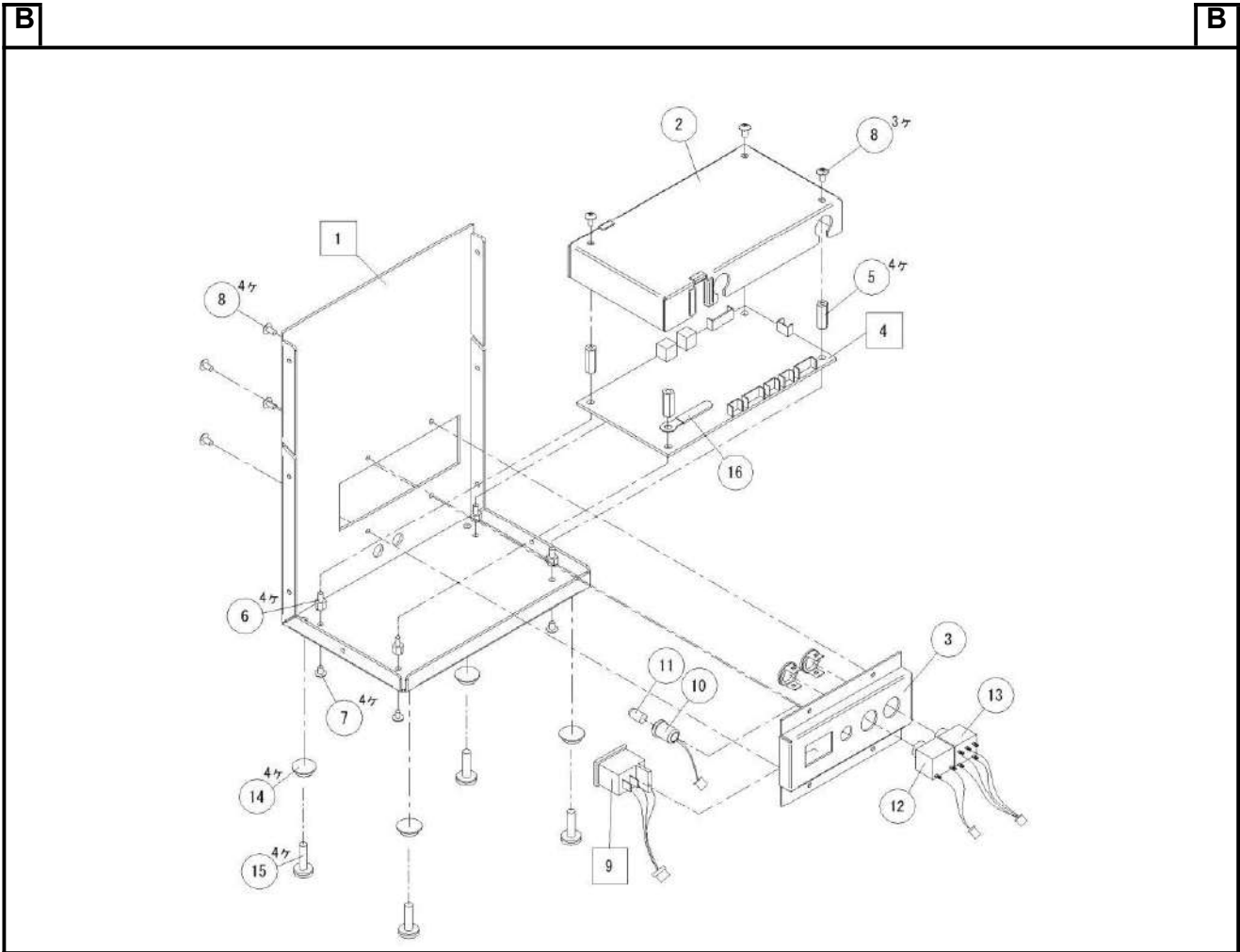
No.	Part Number	Name of Part	Q'ty used per set	Minimum q'ty packaging
A	-	Main Assy	1	-
B	-	Control Assy	1	-
C	ON-0097c	Sensor Arm Assy	1	1
	※1 ON-0097b	Sensor Arm Assy	1	1
1	ON-0036	NSR-Type Screw Outlet Ramp	1	1
2	ON-0023	NSR-Type Outlet Ramp Cover	1	1
3	ZZM00161	Plus Truss Head Screw M2.6*5 Ni (10pcs)	8	1
4	ZZM00038	Pan Head Screw PW,SW M3*6 (10pcs)	4	1
5	ZZM00104	Plus Countersunk Head Screw M3*5 (10pcs)	2	1
6	CS-9	Coated Clip(10pcs)	2	1
7	ON-0022	Hopper Top Cover	1	1
8	HSC09020#06	Distance Sensor Junction Cable	1	1

※1 The S/N starts with 1 (for 5 years).

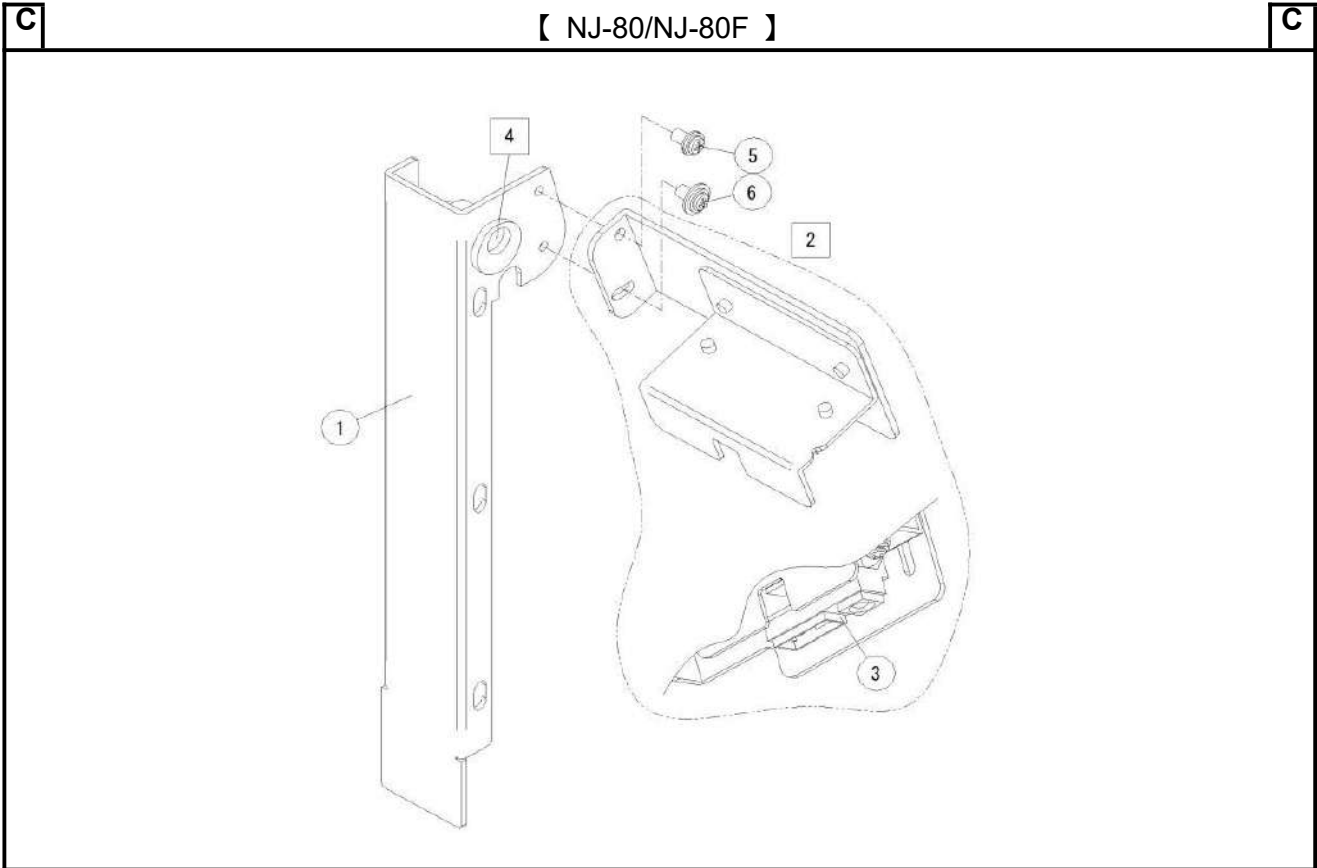


No.	Part Number	Name of Part	Q'ty used per set	Minimum q'ty packaging
D	ON-0094	Motor Plate Assy	1	1
2	ON-0006	Bottom Plate	1	1
3	ZZM00161	Plus Truss Head Screw M2.6*5 Ni (10pcs)	10	1
4	ZZM00104	Plus Countersunk Head Screw M3*5 (10pcs)	3	1
5	TM-182-816-10	Urethane Roll Stock	4	1
6	DKN-5G	Cable Clamp	1 (NJ)	1
			2 (SR)	
7	ON-0095	Rotary Drum Assy	1	1
8	※3 ON-0061	Drive Belt	1	1

※3 If you need to replace the timing belt, it is recommended to return the machine.



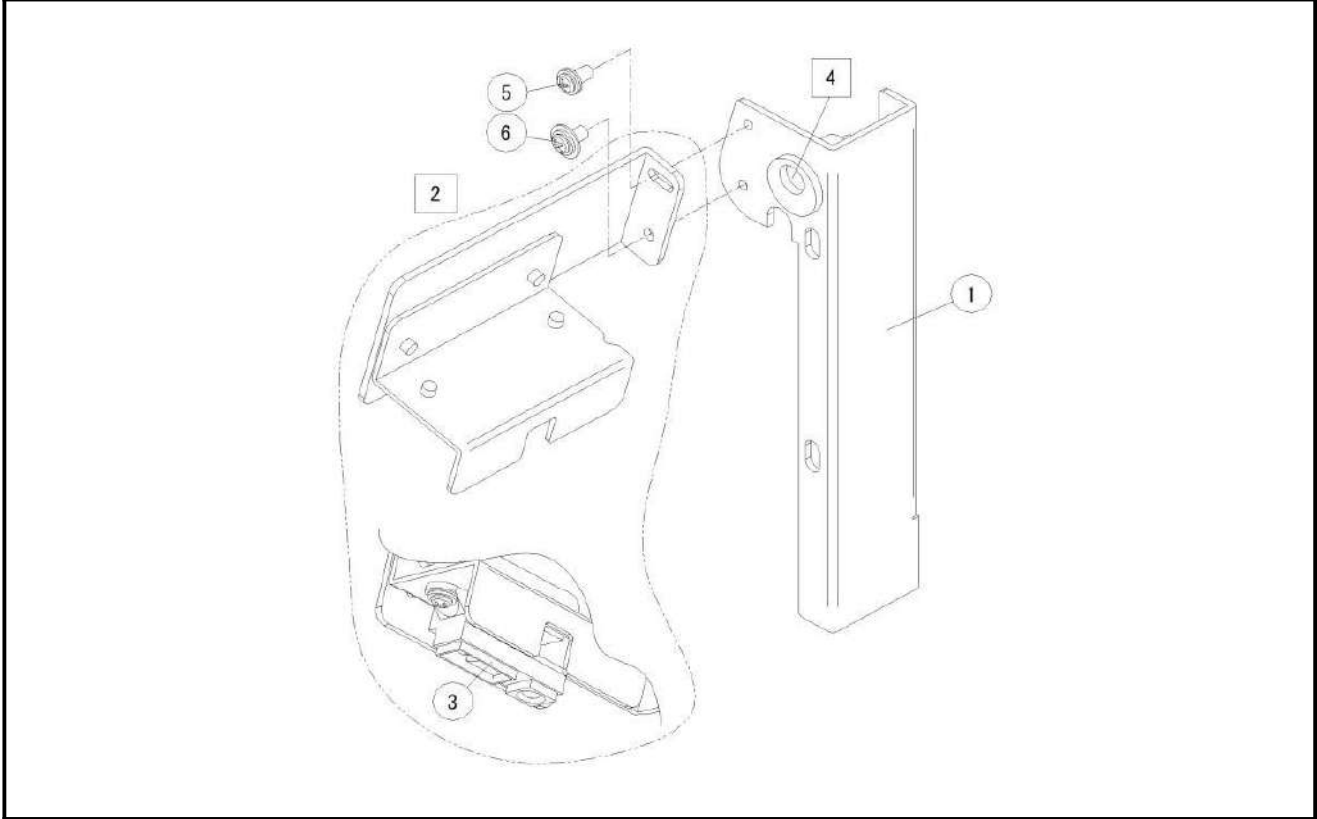
No.	Part Number	Name of Part	Q'ty used per set	Minimum q'ty packaging
1	ON-0103#01	Rear Cover Assy (NJ-80)	Anyone	1
	ON-0103#02	Rear Cover Assy (SR-80)		1
	ON-0103#03	Rear Cover Assy (NJ-80F)		1
2	ON-0020	PCB Cover	1	1
3	ON-0019	Switch Mounting Plate	1	1
4	ZPV00003#05	Main Circuit Board For NJ-80	1	1
5	ZZM00564	Hex Metal Spacer (10pcs)	4	1
6	ZZM00573	Hex Metal Spacer Nut (10pcs)	4	1
7	ZZM00160	Plus Truss Head Screw M2.6*4 Ni (10pcs)	4	1
8	ZZM00161	Plus Truss Head Screw M2.6*5 Ni (10pcs)	7	1
9	HSC09021#08	Power Switch (With Harness)	1	1
10	RTF-5010	LED Bezel	1	1
11	HSC09021#03	Screw Detector LED (With Harness)	1	1
12	HSC09021#01	Manual Pushbutton Switch (With Harness, Blue)	1	1
13	HSC09021#02	Auto Pushbutton Switch (With Harness, Green)	1	1
14	TM-180-302	Bumper (NJ-80F)	4	1
	TM-166-12	Bumper	4	1
15	NSB07051	Weld Bolt (SR-80)	4	1
16	CS-9	Coated Clip(10pcs)	1	1



No.	Part Number	Name of Part	Q'ty used per set	Minimum q'ty packaging
1	ON-0027c	NJ-Type Sensor Support A	1	1
	※1 ON-0027b	NJ-Type Sensor Support A	1	1
2	ON-0081	NJ-Type Sensor Holder Assy	1	1
3	GP2Y0A41SK0F	Infrared Proximity Sensor	1	1
4	HSC09021b#05	DC Jack (With Harness)	1	1
	※1 HSC09021a#05	DC Jack (With Harness)	1	1
5	ZZM00062	Pan Head Screw PW(s),SW M3*6 (10pcs)	1	1
8	ZZM00038	Pan Head Screw PW,SW M3*6 (10pcs)	1	1

※1 The S/N starts with 1. (for 5 years).

C 【 SR-80 】 C

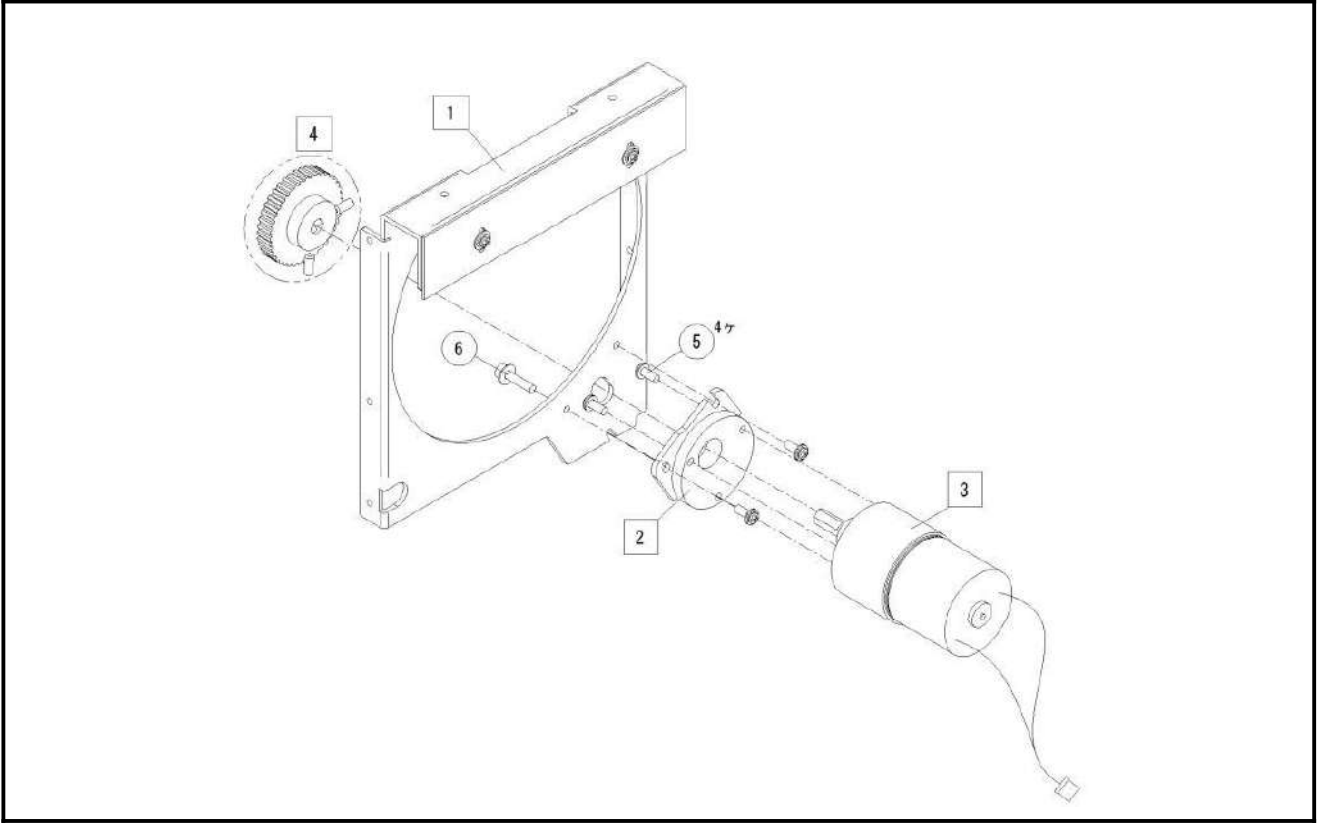


No.	Part Number	Name of Part	Q'ty used per set	Minimum q'ty packaging
1	ON-0026c	SR-Type Sensor Support A	1	1
	※1 ON-0026b	SR-Type Sensor Support A	1	1
2	ON-0082	SR-Type Sensor Holder Assy	1	1
3	GP2Y0A41SK0F	Infrared Proximity Sensor	1	1
4	HSC09021b#05	DC Jack (With Harness)	1	1
	※1 HSC09021a#05	DC Jack (With Harness)	1	1
5	ZZM00062	Pan Head Screw PW(s),SW M3*6 (10pcs)	1	1
6	ZZM00038	Pan Head Screw PW,SW M3*6 (10pcs)	1	1

※1 The S/N starts with 1. (for 5 years).

D

D

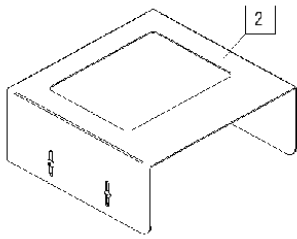


No.	Part Number	Name of Part	Q'ty used per set	Minimum q'ty packaging
1	ON-0083	Center Motor Plate Assy	1	1
2	ON-0015	Motor Base Plate	1	1
3	HSC09021#04	Main Motor (With Harness)	1	1
4	ON-0084	Timing Pulley Assy	1	1
5	ZZM00063	Pan Head Screw PW(s),SW M3*8 (10pcs)	4	1
6	ZZM00916	Hex. Socket Head Bolt PW,SW M3*14 (10pcs)	1	1

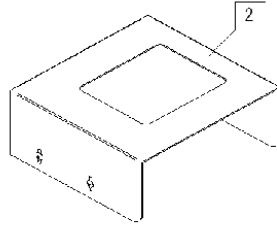
ACCESSORIES

No.	Part Number	Name of Part	Q'ty used per set	Minimum q'ty packaging
1	UNI315-1510(PSE)	UNI315-1510 AC Adapter DC15V with PSE Cord	Anyone	1
	UI315-15(CCC)	UI315-15 AC Adapter DC15V with CCC Cord		1
	UI315-15(KC)	UI315-15 AC Adapter DC15V with KC Cord		1
	UNI315-1510(UL)	UNI315-1510 AC Adapter DC15V with UL Cord		1
	※2 UNI315-1510(CE)	UNI315-1510 AC Adapter DC15V with CE Cord		1
	※1 AD-1200500DJ	AD-1200500DJ AC Adapter DC12V	1	1
2	ON-0098	Safety Cover Assy (NJ-80/NJ-80F)	Anyone	1
	ON-0099	Safety Cover Assy (SR-80)		1
3	ON-0100	Mounting Base Assy (for NJ-80F ONLY)	1	1
4	ZZM00028	Pan Head Screw PW,SW M2.6*5 (10pcs)	3	1
5	NSN08201	Driver	1	1
6	TPO21202	Ground Wire	1	1
7	ONF1MA01c	Operation Manual NJ-80/SR-80 Series	1	1
	※1 ONF1MA01b	Operation Manual NJ-80/SR-80 Series	1	1

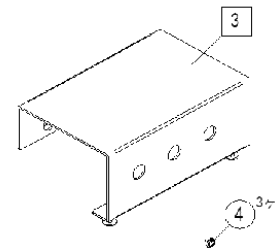
【NJ-80/NJ-80F】



【SR-80】



【NJ-80F】



※1 The S/N starts with 1. (for 5 years).

※2 The AC adapter uses CE certified products.

