



Parts list & exploded view

OHTAKE**LV25-B****LV50-B****OHTAKE automatic screw feeder NEJIKURA**

LV25-30B / LV25-35B / LV25-40B / LV25-50B / LV25-60B / LV25-80B series

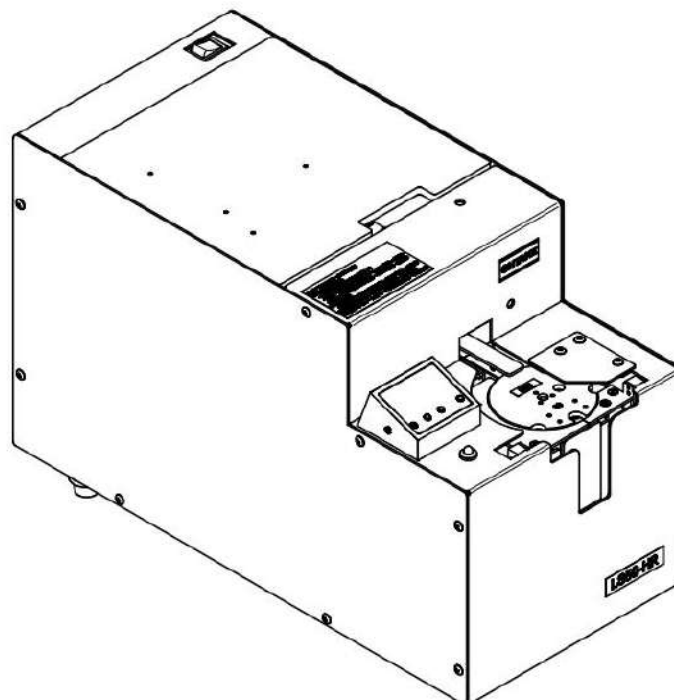
LV50-30B / LV50-35B / LV50-40B / LV50-50B / LV50-60B / LV50-80B series

© DOGA DOC.60467.10/22

IMPORTANT

- Parts would be delivered in the minimum order quantity base.
- Some components are supplied only as assemblies.
- The components assembly might be reviewed without any notice.
- The minimum order quantities are indicated in the item descriptions.
- Any variations and upgrades in the designs of the product change without notice.

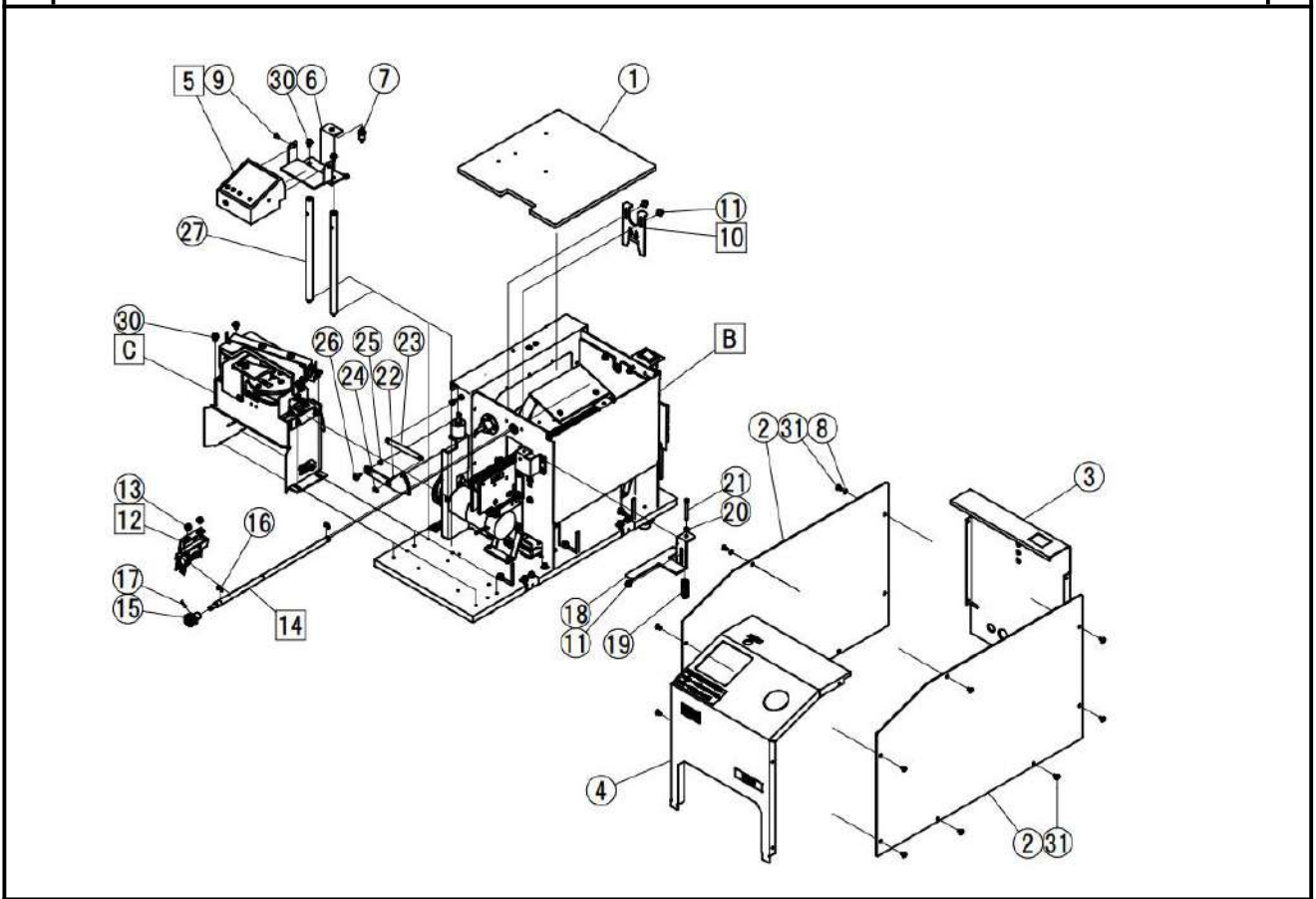
OVERVIEW



A

[LS25-**B / LS50-**B]

A



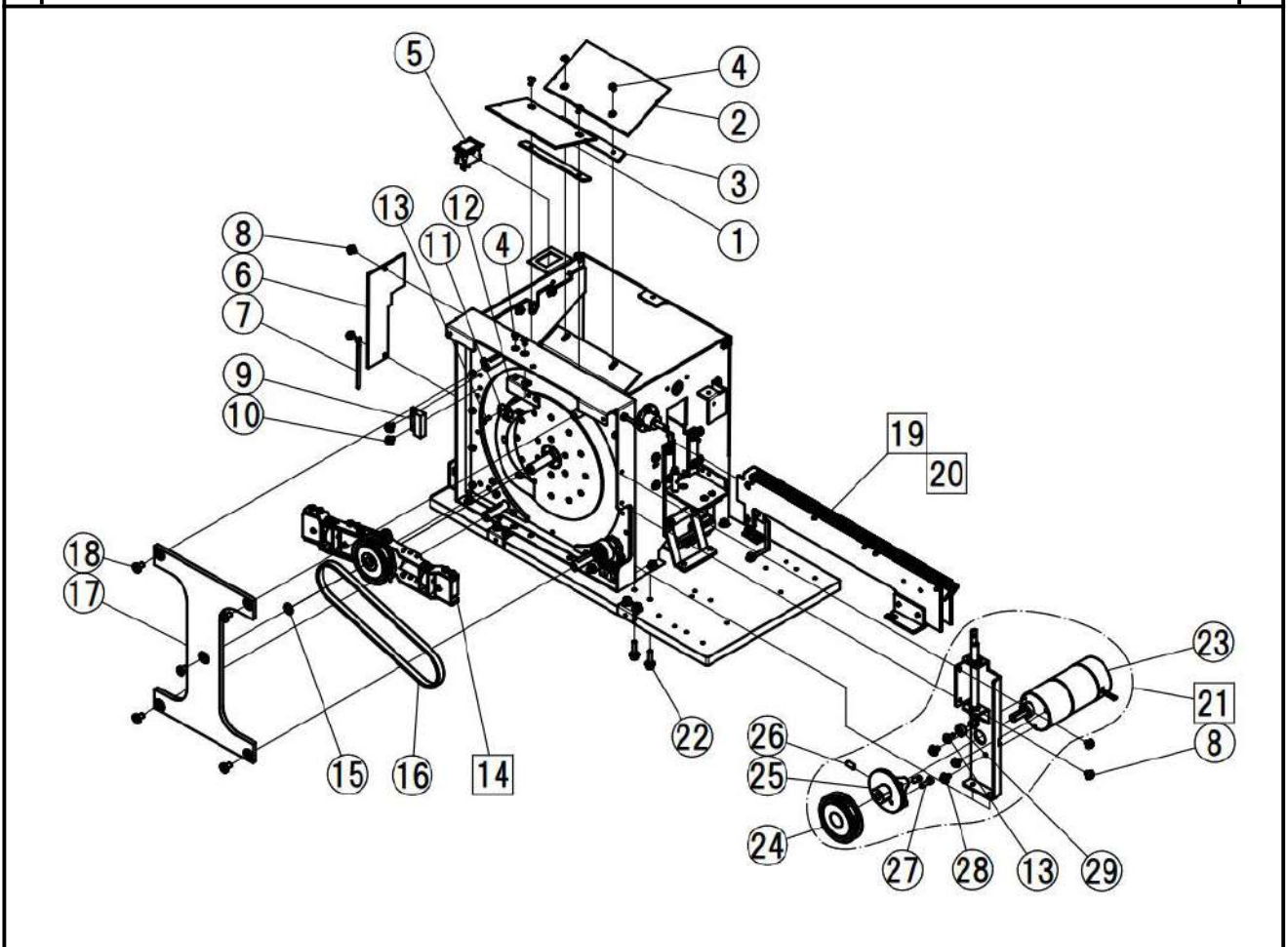
No.	Part Number	Name of Part	Q'ty used per set	Minimum q'ty packaging
B	-	Block "B" Assy	1	-
C	PLMB0008#04	Escaper Unit:LV M3.0	Each Nominal	1
	PLMB0008#05	Escaper Unit:LV M3.5		1
	PLMB0008#06	Escaper Unit:LV M4.0		1
	PLMB0008#07	Escaper Unit:LV M5.0		1
	PLMB0008#08	Escaper Unit:LV M6.0		1
	PLMB0008#09	Escaper Unit:LV M8.0		1
1	PLM00147	Upper Lid	1	1
2	PLM00101	Side Panel	2	1
3	PLM00104	Rear Panel	1	1
4	PLM00103	Front Cover	1	1
5	PLMB0041	Counter Assy:LV	1	1
6	PLM00105	TLLB3200 Bracket	1	1
7	PLM09101#18	Count Reset Switch (with Harness)	1	1
8	ZZM00442	Toothed Lock Washer M2.6 Ni (10pcs)	2	1
9	ZZM00057	Pan Head Screw PW(s),SW M2*5 (10pcs)	2	1
10	PLMB0038#02	Passing Plate Assy M3.0	Each Nominal	1
	PLMB0038#03	Passing Plate Assy M3.5 M4.0		1
	PLMB0038#04	Passing Plate Assy M5.0 M6.0		1
	PLMB0038#05	Passing Plate Assy M8.0		1
11	ZZM00261	Hex. Socket Head Bolt PW,SW M2.6*5 (10pcs)	3	1
12	PLMB0033	Brush Assy	1	1
13	ZZM00028	Pan Head Screw PW,SW M2.6*5 (10pcs)	4	1
14	PLM00037	Brush Shaft	1	1
15	NJ02035	Brush Driving Gear 2	1	1
16	ZZM00512	E-Type Snap Ring E-5 (10pcs)	2	1
17	ZZM00556	Spring Pin2*8 (10pcs)	1	1
18	PLM00117	Holding Plate	1	1
19	TPO00809	Compression Spring	1	1
20	ZZM00393	Plain Washer M2.6 (10pcs)	1	1
21	ZZM00612	Hex. Socket Head Bolt M2.6*25 (10pcs)	1	1
22	PLM00142	Brush Driving Gear Large(with Flange)	1	1

23		AWS8-55	Tension Spring	1	1
24		ZZM00510	E-Type Snap Ring E-3 (10pcs)	1	1
25		TPO00409	Stainless Spacer	1	1
26		ZZM00030	Pan Head Screw PW,SW M2.6*8 (10pcs)	1	1
27		PLM00140	Post	2	1
30		ZZM00038	Pan Head Screw PW,SW M3*6 (10pcs)	6	1
31		ZZM00161	Plus Truss Head Screw M2.6*5 Ni (10pcs)	14	1

B

【LS25-**B / LS50-**B】

B



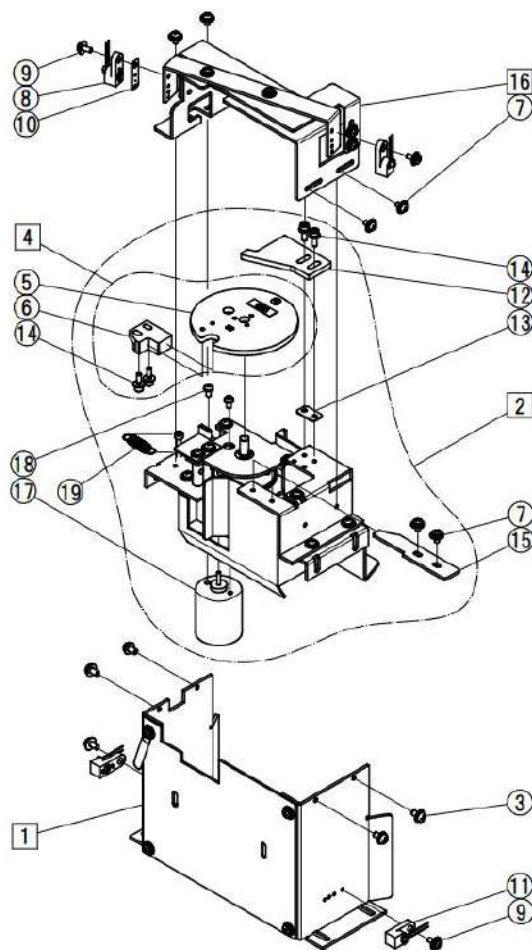
No.	Part Number	Name of Part	Q'ty used per set	Minimum q'ty packaging
1	PLM00008	Scraper Left	1	1
2	PLM00108	Scraper Right	1	1
3	PLM00126	Scraper Nut Plate	2	1
4	ZZM00614	Plus Countersunk Head Screw M2.6*5.Nvlok (10pcs)	6	1
5	PLM09101#06	Power Switch (with Harness)	1	1
6	ZPV00004#03	Main Circuit Board For LV-B(M5 or less)	Any One	1
	ZPV00004#04	Main Circuit Board For LV-B(M6 and over)		1
7	CS-1	Coated Clip(10pcs)	1	1
8	ZZM00028	Pan Head Screw PW,SW M2.6*5 (10pcs)	4	1
9	PLM09101#01	Magnet Sensor(with Harness)	1	1
10	ZZM00062	Pan Head Screw PW(s),SW M3*6 (10pcs)	2	1
11	PLM09101#04	Lid Detection Sensor(with Harness)	1	1
12	PLM00044	Cover Switch Bracket	1	1
13	ZZM00061	Pan Head Screw PW(s),SW M2.6*8 (10pcs)	2	1
14	PLMB0039	Twin Magnet Drive	1	1
15	PBS00062	Magnet Pully Washer	1	1
16	HTBN354S3M-60	Timing Belt	1	1
17	PBS00053	Side Plate Reinforcement Plate 2	1	1
18	ZZM01079	Thin head screw M4 (10pcs)	5	1
19	PLMB0011#04	Rail Assy(for L*50) M3.0	Each Nominal	1
	PLMB0011#05	Rail Assy(for L*50) M3.5		1
	PLMB0011#06	Rail Assy(for L*50) M4.0		1
	PLMB0011#07	Rail Assy(for L*50) M5.0		1
	PLMB0011#08	Rail Assy(for L*50) M6.0		1
	PLMB0011#09	Rail Assy(for L*50) M8.0		1
20	PLMB0205#04	Rail Assy(for L*25) M3.0	Each Nominal	1
	PLMB0205#05	Rail Assy(for L*25) M3.5		1
	PLMB0205#06	Rail Assy(for L*25) M4.0		1
	PLMB0205#07	Rail Assy(for L*25) M5.0		1
	PLMB0205#08	Rail Assy(for L*25) M6.0		1

	PLMB0205#09	Rail Assy(for L*25) M8.0		1
21	PBSB0003	Motor Bracket Unit	1	1
22	ZZM00265	Hex. Socket Head Bolt PW,SW M3*15 (10pcs)	2	1
23	G37DHC3420B012	Brushless Motor (With Harness)	1	1
24	PLM00225	Main Motor Pulley	1	1
25	PBS00526	Driving Cam	1	1
26	ZZM00388	Hex. Socket Head Screw M4*8	2	1
27	ZZM00192	Hex. Socket Head Bolt M3*10 (10pcs)	1	1
28	ZZM00620	Pan Head Screw PW,SW M3*7	3	1
29	TPO90982	Roller: Brush Driving Shaft	1	1

C

【LS25-**B / LS50-**B】

C



No.	Part Number	Name of Part	Q'ty used per set	Minimum q'ty packaging
1	PLMB0027	Escaper Base Unit	1	1
2	PLMB0028#04	Escaper Drive Unit:LV M3.0	1	1
	PLMB0028#05	Escaper Drive Unit:LV M3.5	1	1
	PLMB0028#06	Escaper Drive Unit:LV M4.0	1	1
	PLMB0028#07	Escaper Drive Unit:LV M5.0	1	1
	PLMB0028#08	Escaper Drive Unit:LV M6.0	1	1
	PLMB0028#09	Escaper Drive Unit:LV M8.0	1	1
3	ZZM00038	Pan Head Screw PW,SW M3*6 (10pcs)	4	1
4	PLMB0030#04	Escaper Assy:LV M3.0	Each Nominal	1
	PLMB0030#05	Escaper Assy:LV M3.5		1
	PLMB0030#06	Escaper Assy:LV M4.0		1
	PLMB0030#07	Escaper Assy:LV M5.0		1
	PLMB0030#08	Escaper Assy:LV M6.0		1
	PLMB0030#09	Escaper Assy:LV M8.0		1
5	PLM00069#04	Escaper(for LV) M3.0	Each Nominal	1
	PLM00069#05	Escaper(for LV) M3.5		1
	PLM00069#06	Escaper(for LV) M4.0		1
	PLM00069#07	Escaper(for LV) M5.0		1
	PLM00069#08	Escaper(for LV) M6.0		1
	PLM00069#09	Escaper(for LV) M8.0		1
6	PLM00167	Screw Support Block	1	1
7	ZZM00028	Pan Head Screw PW,SW M2.6*5 (10pcs)	6	1
8	PLM09101#08	Front Sensor(with Harness)	1	1
9	ZZM00029	Pan Head Screw PW,SW M2.6*6 (10pcs)	4	1
10	NSR08621	Light Receiver Slit Plate	1	1
11	PLM09101#02	Exit Sensor(with Harness)	1	1
12	PLM00076	Separator Guide	1	1
13	PLM00128	Separator Guide Spacer	1	1

14		ZZM00289	Hex. Socket Head Bolt PW,SW M2.6*8 (10pcs)	4	1
15		PLM00151#02	Screw Guide M3.0	Each Nominal	1
		PLM00151#03	Screw Guide M3.5/M4.0		1
		PLM00151#04	Screw Guide M5.0/M6.0		1
		PLM00151#05	Screw Guide M8.0		1
		PLMB0029	Escaper Sensor Unit		1
17		PLM09101#14	Escaper Motor(with Harness)	1	1
18		ZZM00062	Pan Head Screw PW(s),SW M3*6 (10pcs)	2	1
19		PLM00149	Tension Spring:Escaper	1	1

ACCESSORIES

No.	Part Number	Name of Part	Q'ty used per set	Minimum q'ty packaging
1	UNI315-1510(PSE)	UNI315-1510 AC Adapter DC15V with PSE Cord	Any one	1
	UI315-15(CCC)	UI315-15 AC Adapter DC15V with CCC Cord		1
	UI315-15(KC)	UI315-15 AC Adapter DC15V with KC Cord		1
	UNI315-1510(UL)	UNI315-1510 AC Adapter DC15V with UL Cord		1
	※1 UNI315-1510(CE)	UNI315-1510 AC Adapter DC15V with CE Cord		1
2	WRENCH-M2.0	Allen Wrench	1	1
3	NSN08201	Driver	1	1
4	TPO21202	Ground Wire	1	1
5	LVMAJ01	Operation Manual LV Series Japanese	1	1
	LVMAE01	Operation Manual LV Series English	1	1

※1 The AC adapter uses CE certified products.