



Parts list & exploded view

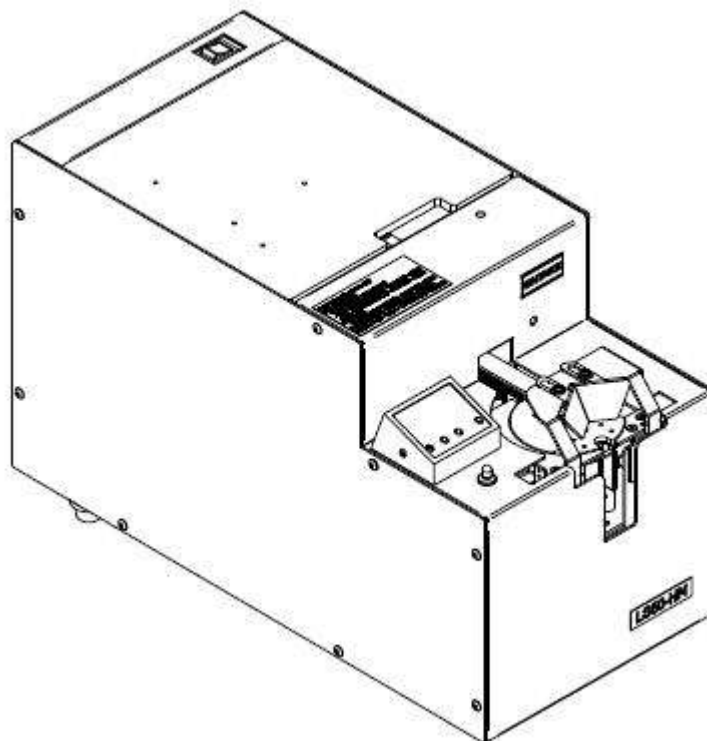
OHTAKE**LS25-HM****LS50-HM****OHTAKE automatic screw feeder NEJIKURA****LS25-HM30 / LS25-HM35 / LS25-HM40 / LS25-HM50 / LS25-HM60 / LS25-HM80 series****LS50-HM30 / LS50-HM35 / LS50-HM40 / LS50-HM50 / LS50-HM60 / LS50-HM80 series**

© DOGA DOC.60465.10/22

IMPORTANT

- Parts would be delivered in the minimum order quantity base.
- Some components are supplied only as assemblies.
- The components assembly might be reviewed without any notice.
- The minimum order quantities are indicated in the item descriptions.
- Any variations and upgrades in the designs of the product change without notice.

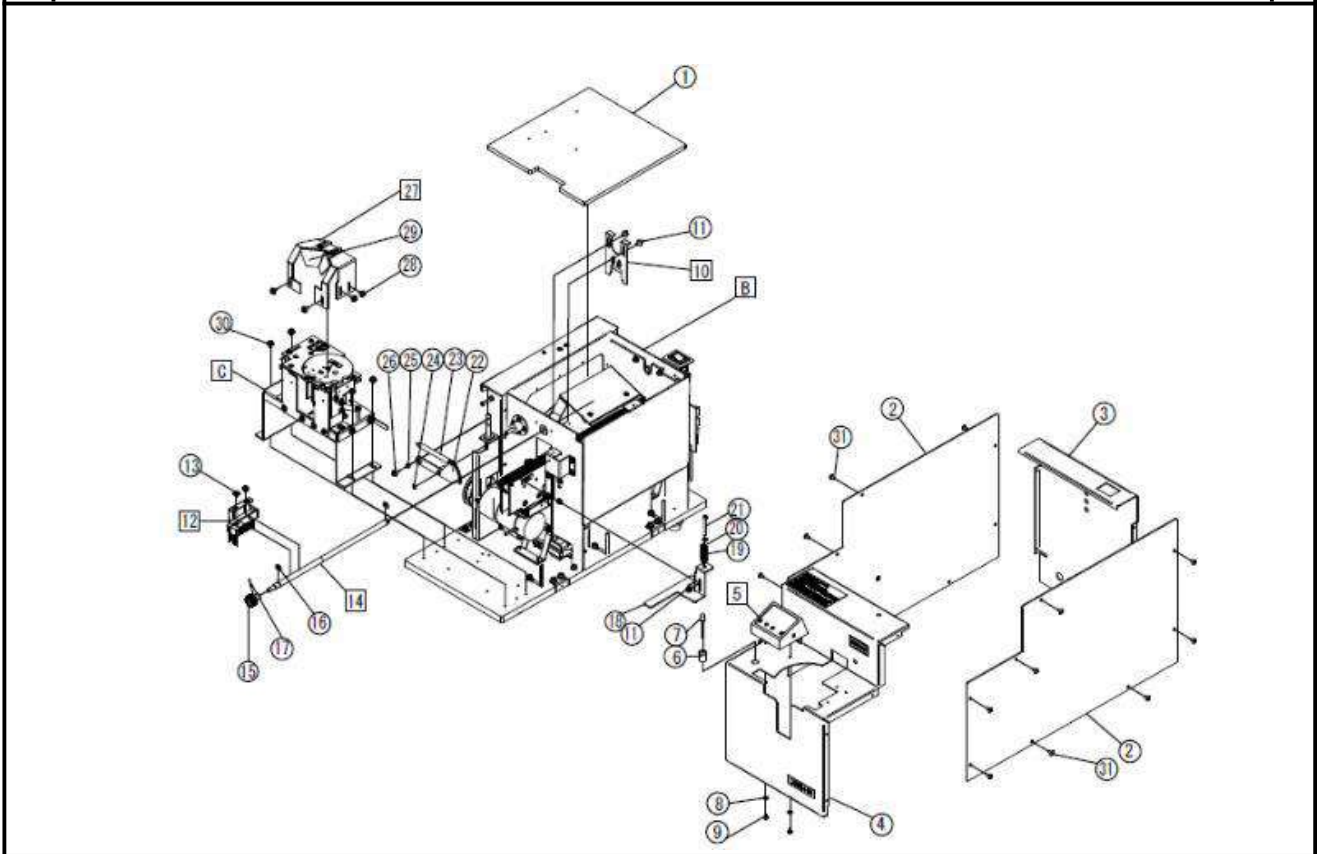
OVERVIEW



A

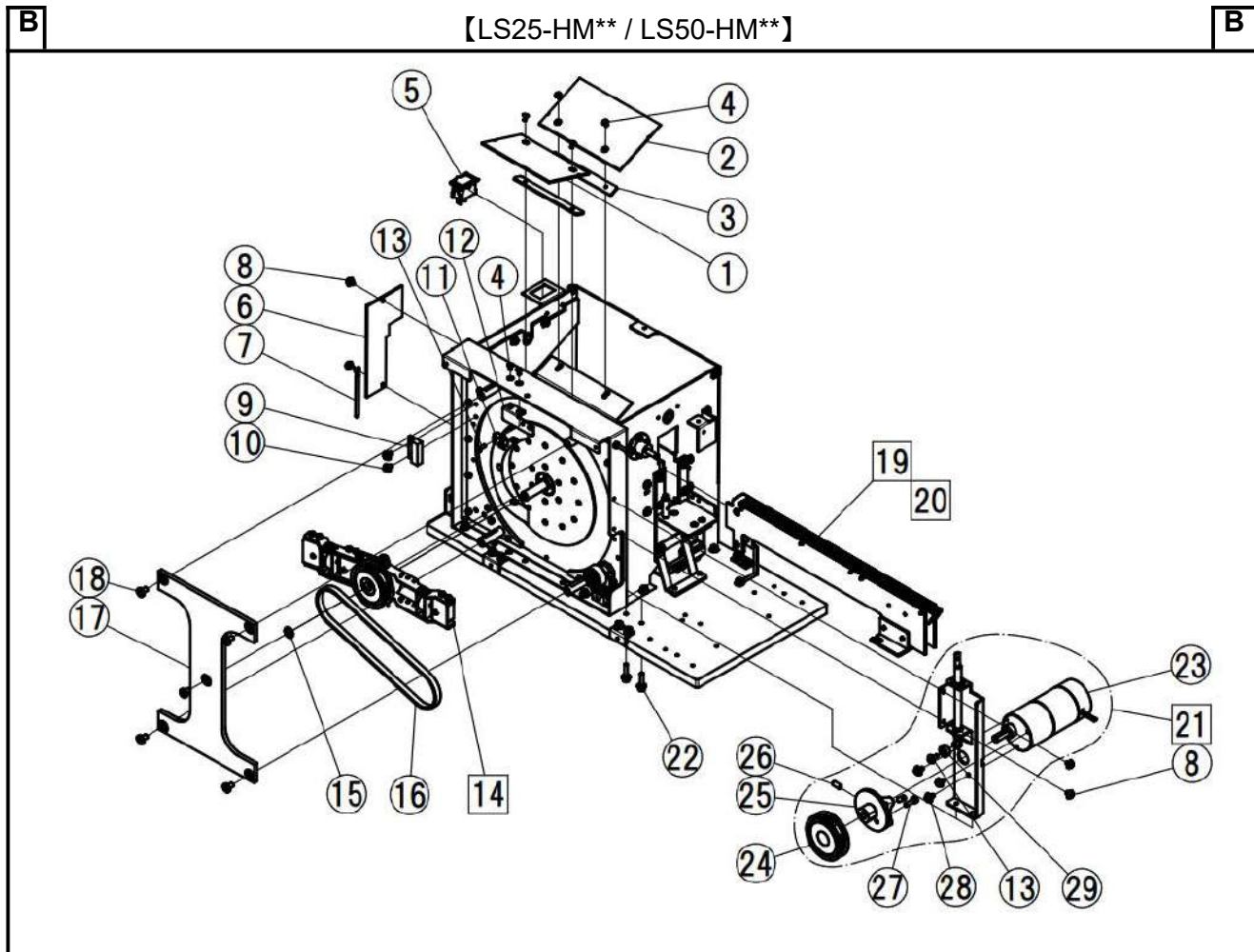
【LS25-HM** / LS50-HM**】

A



No.	Part Number	Name of Part	Q'ty used per set	Minimum q'ty packaging
B	-	Block "B" Assy	1	-
C	PLMB0081#04	Escaper Unit:LS-HM M3.0	Each Nominal	1
	PLMB0081#05	Escaper Unit:LS-HM M3.5		1
	PLMB0081#06	Escaper Unit:LS-HM M4.0		1
	PLMB0081#07	Escaper Unit:LS-HM M5.0		1
	PLMB0081#08	Escaper Unit:LS-HM M6.0		1
	PLMB0081#09	Escaper Unit:LS-HM M8.0		1
1	PLM00147	Upper Lid	1	1
2	PLM00543	Side Panel	2	1
3	PLM00104	Rear Panel	1	1
4	PLM00554	Front Cover	1	1
5	PLMB0059	Counter Assy:LS	1	1
6	RTF-5010	LED Bezel	1	1
7	PLM09107#16	Front Sensor LED(with Harness)	1	1
8	ZZM00441	Toothed Lock Washer M2 Ni (10pcs)	2	1
9	ZZM00057	Pan Head Screw PW(s),SW M2*5 (10pcs)	2	1
10	PLMB0038#02	Passing Plate Assy M3.0	Each Nominal	1
	PLMB0038#03	Passing Plate Assy M3.5 M4.0		1
	PLMB0038#04	Passing Plate Assy M5.0 M6.0		1
	PLMB0038#05	Passing Plate Assy M8.0		1
11	ZZM00261	Hex. Socket Head Bolt PW,SW M2.6*5 (10pcs)	3	1
12	PLMB0033	Brush Assy	1	1
13	ZZM00028	Pan Head Screw PW,SW M2.6*5 (10pcs)	4	1
14	PLM00037	Brush Shaft	1	1
15	NJ02035	Brush Driving Gear 2	1	1
16	ZZM00512	E-Type Snap Ring E-5 (10pcs)	2	1
17	ZZM00556	Spring Pin2*8 (10pcs)	1	1
18	PLM00117	Holding Plate	1	1
19	TPO00809	Compression Spring	1	1
20	ZZM00393	Plain Washer M2.6 (10pcs)	1	1
21	ZZM00612	Hex. Socket Head Bolt M2.6*25 (10pcs)	1	1
22	PLM00142	Brush Driving Gear Large(with Flange)	1	1
23	AWS8-55	Tension Spring	1	1
24	ZZM00510	E-Type Snap Ring E-3 (10pcs)	1	1

25		TPO00409	Stainless Spacer	1	1
26		ZZM00030	Pan Head Screw PW,SW M2.6*8 (10pcs)	1	1
27		PLMB00084	Bit Guide Assy	1	1
28		ZZM00029	Pan Head Screw PW,SW M2.6*6 (10pcs)	4	1
29		TEK51001	Bit Guide	1	1
30		ZZM00038	Pan Head Screw PW,SW M3*6 (10pcs)	4	1
31		ZZM00161	Plus Truss Head Screw M2.6*5 Ni (10pcs)	16	1
32		PLMB0085#01	Bit Guide Assy for Box φ15	1	1
		PLMB0085#02	Bit Guide Assy for Box φ17	1	1
		PLMB0085#03	Bit Guide Assy for Box φ19	1	1
		PLMB0085#04	Bit Guide Assy for Box φ21	1	1
33		PLM00530#01	Bit Guide for Box φ15	1	1
		PLM00530#02	Bit Guide for Box φ17	1	1
		PLM00530#03	Bit Guide for Box φ19	1	1
		PLM00530#04	Bit Guide for Box φ21	1	1



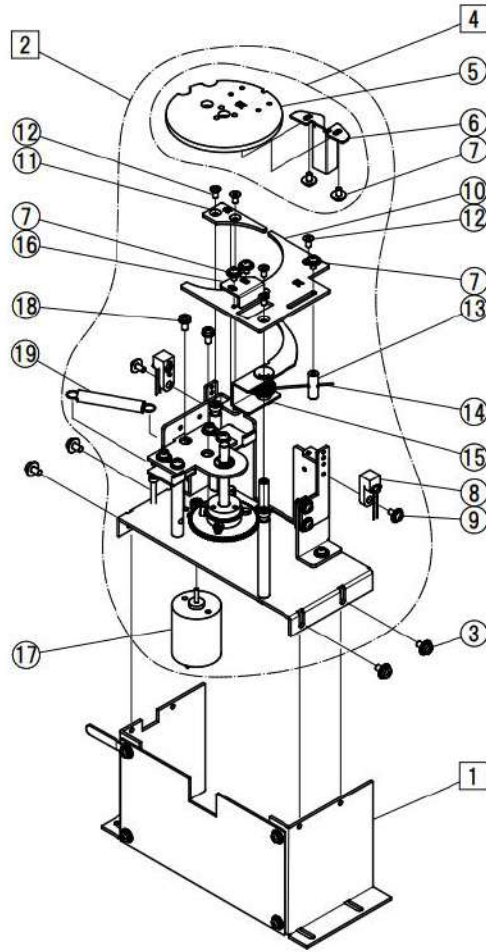
No.	Part Number	Name of Part	Q'ty used per set	Minimum q'ty packaging
1	PLM00008	Scraper Left	1	1
2	PLM00108	Scraper Right	1	1
3	PLM00126	Scraper Nut Plate	2	1
4	ZZM00614	Plus Countersunk Head Screw M2.6*5,Nvlok (10pcs)	6	1
5	PLM09107#14	Power Switch(with Harness)	1	1
6	ZPV00004#07	Main Circuit Board For LS-HM	1	1
7	CS-1	Coated Clip(10pcs)	1	1
8	ZZM00028	Pan Head Screw PW,SW M2.6*5 (10pcs)	4	1
9	PLM09107#01	Magnet Sensor(with Harness)	1	1
10	ZZM00062	Pan Head Screw PW(s),SW M3*6 (10pcs)	2	1
11	PLM09107#04	Lid Detection Sensor(with Harness)	1	1
12	PLM00044	Cover Switch Bracket	1	1
13	ZZM00061	Pan Head Screw PW(s),SW M2.6*8 (10pcs)	2	1
14	PLMB00039	Twin Magnet Drive	1	1
15	PBS00062	Magnet Pulley Washer	1	1
16	HTBN354S3M-60	Timing Belt	1	1
17	PBS00053	Side Plate Reinforcement Plate 2	1	1
18	ZZM01079	Thin head screw M4 (10pcs)	5	1
19	PLMB0011#04	Rail Assy(for L*50) M3.0	Each Nominal	1
	PLMB0011#05	Rail Assy(for L*50) M3.5		1
	PLMB0011#06	Rail Assy(for L*50) M4.0		1
	PLMB0011#07	Rail Assy(for L*50) M5.0		1
	PLMB0011#08	Rail Assy(for L*50) M6.0		1
	PLMB0011#09	Rail Assy(for L*50) M8.0		1
20	PLMB0205#04	Rail Assy(for L*25) M3.0	Each Nominal	1
	PLMB0205#05	Rail Assy(for L*25) M3.5		1
	PLMB0205#06	Rail Assy(for L*25) M4.0		1
	PLMB0205#07	Rail Assy(for L*25) M5.0		1
	PLMB0205#08	Rail Assy(for L*25) M6.0		1
	PLMB0205#09	Rail Assy(for L*25) M8.0		1

21		PBSB0003	Motor Bracket Unit	1	1
22		ZZM00265	Hex. Socket Head Bolt PW,SW M3*15 (10pcs)	2	1
23		G37DHC3420B012	Brushless Motor (With Harness)	1	1
24		PLM00225	Main Motor Pulley	1	1
25		PBS00526	Driving Cam	1	1
26		ZZM00388	Hex. Socket Head Screw M4*8	2	1
27		ZZM00192	Hex. Socket Head Bolt M3*10 (10pcs)	1	1
28		ZZM00620	Pan Head Screw PW,SW M3*7	3	1
29		TPO90982	Roller: Brush Driving Shaft	1	1

C

【LS25-HM** / LS50-HM**】

C



No.	Part Number	Name of Part	Q'ty used per set	Minimum q'ty packaging
1	PLMB0072	Escaper Base Unit	1	1
2	PLMB0082#04	Escaper Drive Unit for M M3.0	1	1
	PLMB0082#05	Escaper Drive Unit for M M3.5	1	1
	PLMB0082#06	Escaper Drive Unit for M M4.0	1	1
	PLMB0082#07	Escaper Drive Unit for M M5.0	1	1
	PLMB0082#08	Escaper Drive Unit for M M6.0	1	1
	PLMB0082#09	Escaper Drive Unit for M M8.0	1	1
3	ZZM00038	Pan Head Screw PW,SW M3*6 (10pcs)	4	1
4	PLMB0057#04	Escaper Assy:LS M3.0	Each Nominal	1
	PLMB0057#05	Escaper Assy:LS M3.5		1
	PLMB0057#06	Escaper Assy:LS M4.0		1
	PLMB0057#07	Escaper Assy:LS M5.0		1
	PLMB0057#08	Escaper Assy:LS M6.0		1
	PLMB0057#09	Escaper Assy:LS M8.0		1
5	PLM00509#04	Escaper(for LS) M3.0	Each Nominal	1
	PLM00509#05	Escaper(for LS) M3.5		1
	PLM00509#06	Escaper(for LS) M4.0		1
	PLM00509#07	Escaper(for LS) M5.0		1
	PLM00509#08	Escaper(for LS) M6.0		1
	PLM00509#09	Escaper(for LS) M8.0		1
6	PLM00531	Screw Guide 1	1	1
7	ZZM00028	Pan Head Screw PW,SW M2.6*5 (10pcs)	2	1
8	PLM09107#02	Front Sensor(with Harness)	1	1
9	ZZM00029	Pan Head Screw PW,SW M2.6*6 (10pcs)	2	1
10	PLM00534#04	Escaper Guide Left M3.0	Each Nominal	1
	PLM00534#05	Escaper Guide Left M3.5		1
	PLM00534#06	Escaper Guide Left M4.0		1
	PLM00534#07	Escaper Guide Left M5.0		1
	PLM00534#08	Escaper Guide Left M6.0		1

		PLM00534#09	Escaper Guide Left M8.0		1
11		PLM00535#04	Escaper Guide Right M3.0	Each Nominal	1
		PLM00535#05	Escaper Guide Right M3.5		1
		PLM00535#06	Escaper Guide Right M4.0		1
		PLM00535#07	Escaper Guide Right M5.0		1
		PLM00535#08	Escaper Guide Right M6.0		1
		PLM00535#09	Escaper Guide Right M8.0		1
	12		ZZM00614		Plus Countersunk Head Screw M2.6*5.Nylok (10pcs)
13		PLM00536	Stopper for Torsion Spring	1	1
14		PLM00557#01	Torsion Spring:LS	1	1
15		PLM00500	Stopper Plate	1	1
16		PLM00537	Stopper	1	1
17		PLM09101#14	Escaper Motor(with Harness)	1	1
18		ZZM00062	Pan Head Screw PW(s),SW M3*6 (10pcs)	2	1
19		NJ01042	Tension Spring	1	1

ACCESSORIES

No.	Part Number	Name of Part	Q'ty used per set	Minimum q'ty packaging
1	UNI315-1510(PSE)	UNI315-1510 AC Adapter DC15V with PSE Cord	Any one	1
	UI315-15(CCC)	UI315-15 AC Adapter DC15V with CCC Cord		1
	UI315-15(KC)	UI315-15 AC Adapter DC15V with KC Cord		1
	UNI315-1510(UL)	UNI315-1510 AC Adapter DC15V with UL Cord		1
	※1 UNI315-1510(CE)	UNI315-1510 AC Adapter DC15V with CE Cord		1
2	WRENCH-M2.0	Allen Wrench	1	1
3	NSN08201	Driver	1	1
4	TPO21202	Ground Wire	1	1
5	LSHMMAJ01	Operation Manual LS-HM Series Japanese	1	1
	LSHMMAE01	Operation Manual LS-HM Series English	1	1

※1 The AC adapter uses CE certified products.